

# CA2500

---

## Spare parts list

### Vibratory roller

CA2500D s/n 10000157xxA014435 - 020925

Engine: Cummins QSB 3.3 (IIIA/T3)



# General information

Use only authorized parts. Any damage or malfunction caused by the use of unauthorized parts is not covered by Warranty or Product Liability. Any unauthorized use or copying of the contents or any part thereof is prohibited. This applies in particular to trademarks, model denominations, part numbers, and drawings.

## **Instructions for use**

This spare parts list contains no safety regulations and is merely intended to assist in the ordering of spare parts.

For information about operating, servicing, or repairing, the relevant Safety and operating instructions must be consulted at all costs.

Please observe the safety instructions listed in the relevant Safety and operating instructions!

CA2500D 3.3 (IIIA/T3) .....	1
<b>Service kits</b>	
4812156993 Service kit, 50h Plus .....	3
4812159463 Service kit, 500h Plus .....	5
4812159464 Service kit, 500h .....	7
4812159466 Service kit, 1000h .....	9
<b>Repair kits</b>	
Eccentric shaft kit .....	11
4812157275 Drum rotation kit .....	13
4812158581 Shock absorber kit, drum .....	15
<b>General - Keys and others</b>	
Keys .....	17
Fuses .....	19
<b>Frame</b>	
Frame, front .....	21
4812120697 Steering hitch, cpl. ....	23
Steering hitch module .....	25
4812114990 Steering hitch, cpl .....	27
<b>Scrapers, option</b>	
Scrapers, option .....	29
Scrapper module Steel .....	31
Scrapper module Rubber .....	33
Scrapper assy .....	35
Frame, rear .....	37
Frame, rear .....	39
Cover assembly .....	41
Step module .....	43
Step assy .....	45
Tool box module, Option .....	47
<b>Engine structure</b>	
Engine structure .....	49
Engine hood module .....	51
4812118994 Lock handle, cpl .....	53
Fender module .....	55
Hinge module .....	57
Lock handle, assy .....	59
Gas spring module .....	61
Safety link module .....	63
<b>Drum</b>	
Drum, cpl .....	65
4812112198 Hydraulic motor .....	68
Vibration motor adapter .....	75
Tooth wheel module .....	77
4812158091 Drum cartridge, vibration side (D version) .....	79
4812158096 Drum cartridge with shaft nut, vibration side (D version) .....	81
4812158086 Drum cartridge, drive side (D version) .....	83
<b>Engine</b>	
Engine .....	85
<b>Engine</b>	
Engine .....	87
Diesel engine .....	91
Bracket module .....	93
Belt guard module .....	95
Belt guard assy .....	97

<b>Cooling system</b>	
Cooling system	99
Cooler stand	101
Hose assy kit	103
Air cleaner	105
Air cleaner module	107
<b>Fuel system</b>	
Fuel system	109
Fuel tank module	111
Fuel tank	113
Bracket assy	115
Fuel hose module	117
Draining module	119
Exhaust system	121
Expansion tank assembly	123
<b>Transmission</b>	
Rear axle and wheels	125
<b>4812116237 Rear axle Limited-Spin</b>	
4812116237 Rear axle cpl, Limited-spin	127
Differential	129
Central housing & Brakes	131
Hub reduction	133
<b>4812116238 Rear axle cpl No-spin</b>	
4812116238 Rear axle cpl, No-spin	135
Differential	137
Central housing & Brakes	139
Hub reduction	141
<b>Hydraulic system</b>	
<b>Hydraulic system, drum Traction control - Dual speed</b>	
Hydraulic system, drum (D) Traction control, dual speed	143
Hydraulic motor	145
<b>4812112215 Hydraulic motor</b>	
4812112215 Hydraulic motor	147
Rotary group	149
Flush and boost pressure valve	151
Cover with shaft seal ring	153
Hydraulic valve module	155
4812113687 Hydraulic valve	157
<b>Hydraulic system, rear axle Traction control - limited slip</b>	
Hydraulic system, rear axle Traction control - limited slip	159
Hydraulic motor	161
<b>4812112204 Hydraulic motor</b>	
4812112204 Hydraulic motor	163
Rotary group	165
Control	167
Hydraulic motor	169
<b>Hydraulic system, rear axle Dual speed</b>	
Hydraulic system, rear axle Dual speed	171
Hydraulic motor	173
<b>Hydraulic system, oil tank</b>	
Hydraulic system, oil tank	175
Hydraulic oil tank assembly	177



Hose holder	181
<b>Hydraulic system, engine room</b>	
Hydraulic system, engine room	183
Hydraulic pump module	185
<b>4812112169 Hydraulic pump, propulsion</b>	
4812112169 Hydraulic pump, propulsion	187
Rotary group	189
Hydraulic control	191
Port plate with valves	193
Control module	197
Hydraulic pump module	199
<b>4812112172 Hydraulic pump</b>	
4812112172 Hydraulic pump	201
Rotary group	203
Adjusting piece	205
Portplate with valves	207
Pump support plate	209
4/3-Way directional valve	211
Hydraulic oil filter assy	213
Hydraulic pump module	215
4812112182 Hydraulic pump, steering	217
<b>Hydraulic system, steering</b>	
Hydraulic system, steering	219
Hydraulic cylinder	221
4812121947 Hydraulic cylinder	223
4812120830 Hydraulic cylinder	225
4812112508 Hydraulic cylinder	227
Steering valve module	229
Steering valve module	231
<b>Hydraulic hoses, steering</b>	
Hydraulic hoses, steering	233
<b>Fan module</b>	
Fan module	235
4812116231 Hydraulic motor	237
<b>Hydraulic valve module</b>	
Hydraulic valve module	239
4812120840 Hydraulic valve	241
4812112238 Hydraulic valve	243
<b>Electrical equipment</b>	
<b>Electric cables, power supply, 1-pole</b>	
Electric cables, power supply, 1-pole	245
Battery module	247
Battery disconnecter module	249
<b>Electric cables, power supply, 2-pole, option</b>	
Electric cables, power supply, 2-pole, option	251
Battery module	See page 247
Battery disconnecter, 2-pole	253
<b>Electrical cables, engine - ECU Horn, back-up alarm</b>	
Electrical cables, engine - ECU Horn, back-up alarm	255
Standard ECU assembly	257
Power converter module	259
Inclination sensor module	261
Inclination sensor module	263

Back-up alarm module	265
Back-up alarm module, Quacker	267
Horn module	269
Bracket module	271
Cable harness kit Power supply cab	273

### **Driving & side direction lights, number plate light, option**

Driving & side direction lights, number plate light, option	275
Steering column switch module	277
Cable harness kit	279
Registration plate light module	281
Registration plate light	283
Holder, Registration plate light	285
Reversing light module	287

### **DCA/GPS equipment module, option**

DCA/GPS equipment module, option	289
Holder	291
GPS equipment module	293
GPS equipment assy	295
Computer	297

### **Rotating beacon, working light, option**

Rotating beacon, working light, option	299
Rotating beacon module	301
Bracket, Rotating beacon	303
Working light module H3	305

### **Compaction meter, option**

Compaction meter, option	307
Power supply	309
External emergency stop, option	311
Pre-heater installation, option	313
Speed sensor, frequency sensor, option	315

## **Drivers platform**

### **Platform, rops**

Platform, rops	317
----------------	-----

#### **4812120545 Platform with 4-post ROPS**

4812120545 Platform with 4-post ROPS	319
Basic kit Rops, roof, front handrail	321
Rear cover	323
Handrail	325
Cab, basic kit	327
Manual box	329
Decals basic kit	331

### **Cab symmetric module**

Cab symmetric module	333
----------------------	-----

#### **4812112301 Cab, cpl Comfort**

4812112301 Cab, cpl Comfort	335
Screens	337
4812115202 Cab door, cpl	339
4812115200 Sliding screen, left hand	341
Windshield wiper	343
Roof	345
Heater assy	347
Hose kit heater	349
Cab Interior	351
Heater controls	353
Cab cable harness	355

Cab, electrical equipment	357
Emergency hammer, hook	359
Cab, rear cover	361
Cab, front cover	363
Floor mat	365
Step light, front wiper switches	367
Cab, basic kit	See page 327
Air channel	369
Sun-blind, inner light	371

### 4812112302 Cab, cpl Basic

4812112302 Cab, cpl Basic	373
Screens	See page 337
4812115202 Cab door, cpl	See page 339
4812115200 Sliding screen, left hand	See page 341
Windshield wiper	See page 343
Roof	See page 345
Heater assy	See page 347
Hose kit heater	See page 349
Cab Interior	See page 351
Heater controls	See page 353
Cab cable harness	See page 355
Cab, electrical equipment	See page 357
Emergency hammer, hook	See page 359
Cab, rear cover	375
Cab, front cover	377
Wiper switch, front	379
Cab, basic kit	See page 327

### Manual box

Manual box	See page 329
Decals basic kit	See page 331

### Car stereo module, option

Car stereo module, option	381
---------------------------	-----

### Rear view mirror

Rear view mirror	383
------------------	-----

### Drivers seat

Drivers seat	385
Seat frame structure	387
4700391163 Steering column	389
Seat frame adapter module, rotating	391
Seat frame adapter module, fixed	393
Floor cassette module	395

### Seats

Seat comfort, fabric suspensioned	397
Seat, galon suspensioned	399
Control module	401
Forward reverse control module	403
Display unit	407

### Seat belt

Seat belt 2"	409
Seat belt 3"	411
Seat belt 2" with reminder	413
Seat belt 3" with reminder	415
Reading light	417
Control panel cover	419

### Decals

Decals	421
--------	-----

Plain Dynapac decals, kit	425
<b>Optional equipment</b>	
<b>Fire extinguisher/First Aid Cushion</b>	
Fire extinguisher/First Aid Cushion	427
Fire extinguisher	429
<b>Level sensor module, option</b>	
Level sensor module, option	431
<b>SMV-sign</b>	
SMV-sign	433
<b>Air conditioning</b>	
Air conditioning	435
Condensor assembly	437
AC module	439
4812113623 Evaporator, cpl	441
ACC module	443
4812113624 ACC kit	445
Drying filter module	447
4812114257 Drying filter assy	449
Hose assy kit for AC	451
Hose assy kit for AC	453
Compressor module	455
Compressor assembly	457
Belt guard module	459
Belt guard assy	461
<b>Cooling box module</b>	
Cooling box module	463
<b>Lunch box</b>	
Lunch box	465
<b>Strike off blade kit</b>	
Strike off blade kit	467
Bearing mount	469
Hydraulic and Electrical, Strike off blade kit	471
4812113498 Hydraulic valve, Strike-off blade	473
4812121948 Hydraulic cylinder	475
Strike-off blade, mount	477
Indicator, module	479
Bracket, module	481
Locking device, module	483
Dyn@Link module	485
4812013038 GPS module	487
Compaction meter (DCM)	489
Dyn@lyzer	491
Appendix B:Parts Index	493

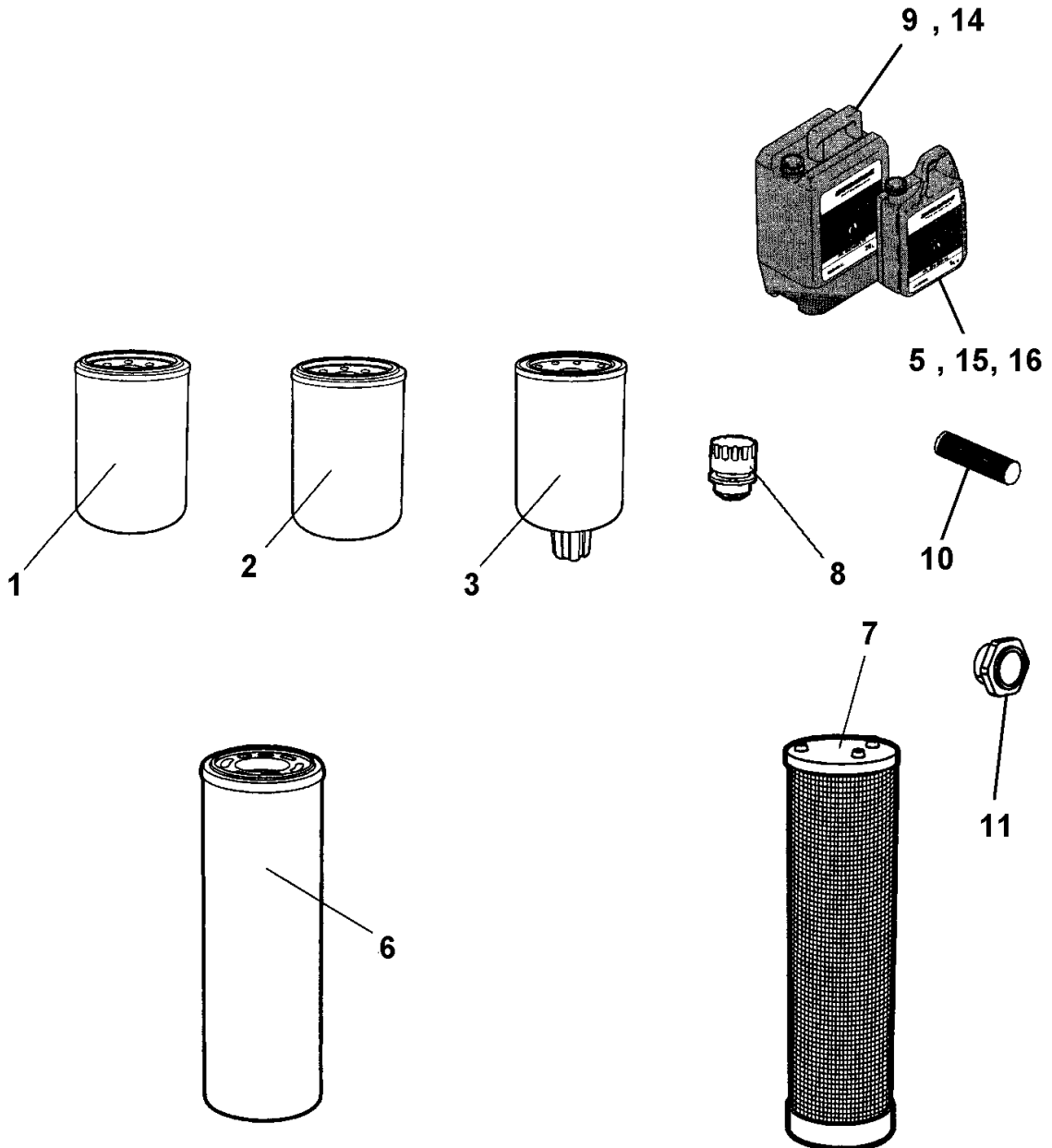


CA2500D 3.3 (IIIA/T3)



Item	Part No.	Name	Qty	L	SN INFO
0	-	Service kits	1		
0	-	Repair kits	1		
10	-	Frame	1		
20	-	Drum	1		
30	-	Engine	1		
40	-	Transmission	1		
50	-	Hydraulic system	1		
60	-	Electrical Equipment	1		
70	-	Drivers platform	1		
80	-	Decals	1		
91	-	Optional equipment	1		

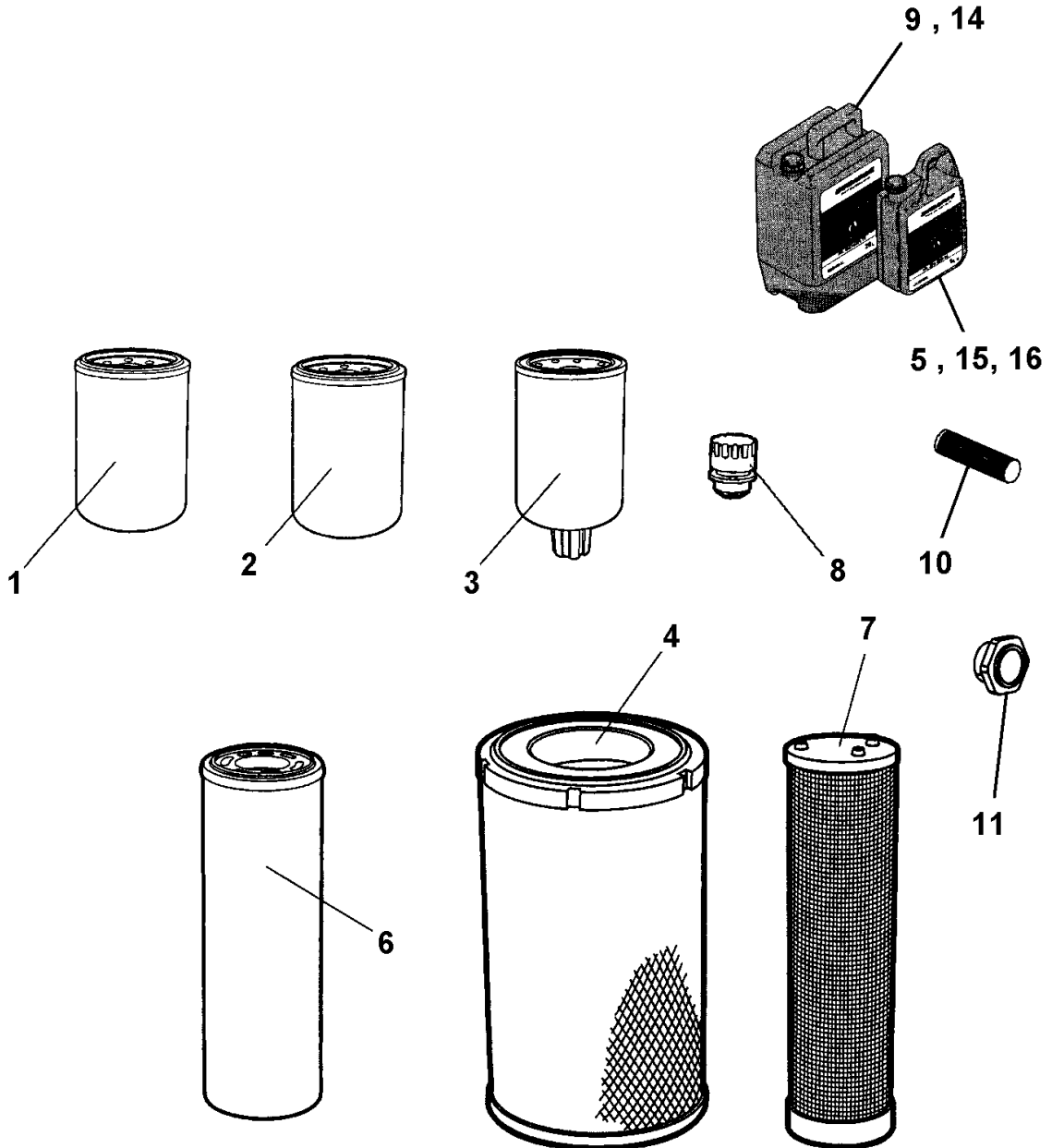
**Service kits** 4812156993 Service kit, 50h Plus





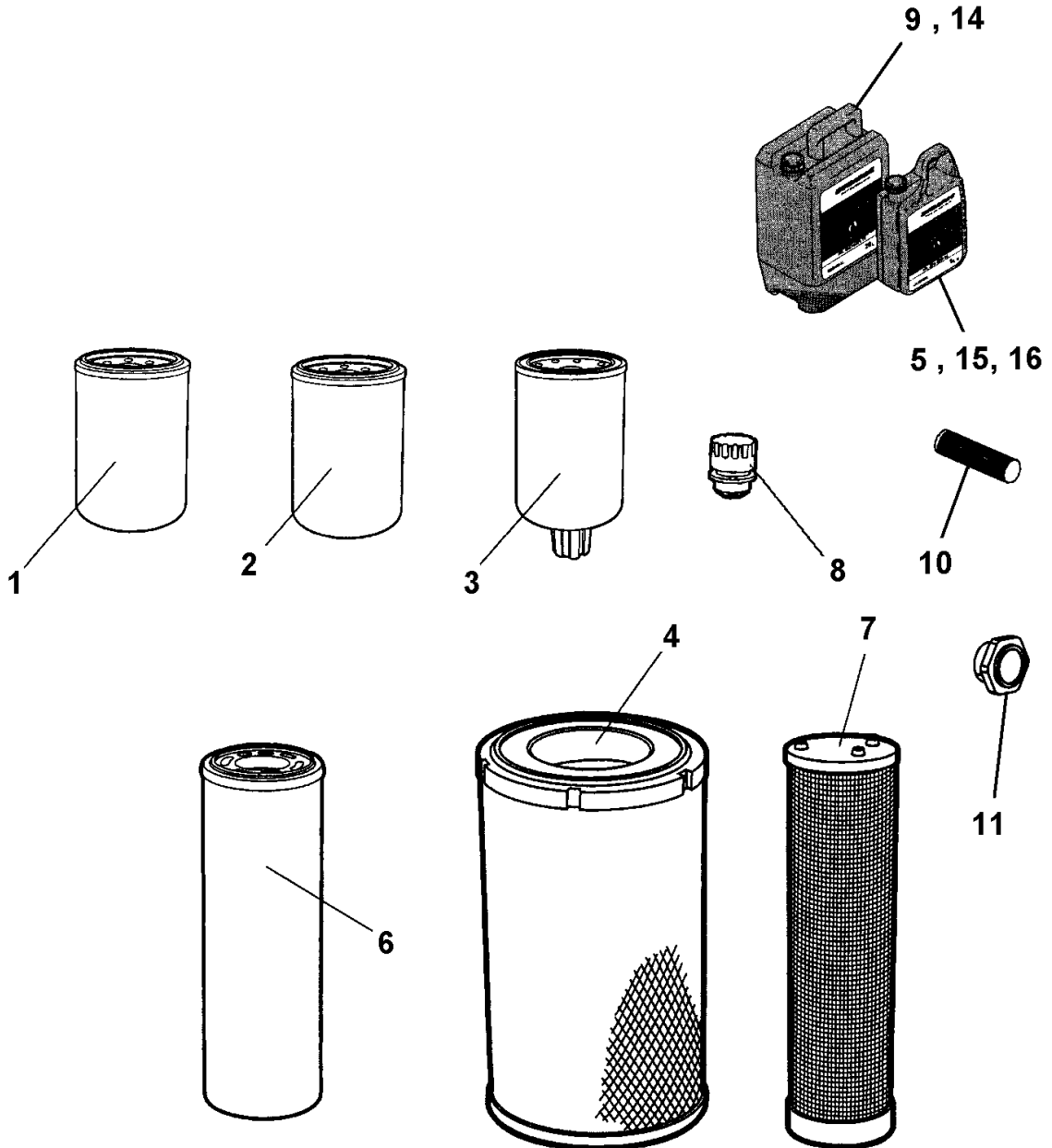
Item	Part No.	Name	Qty	L	SN INFO
-	4812156993	Service kit, 50h Plus			
6	4812112262	Hydraulic oil filter element	1		
15	4812161887	Dynapac Drum oil 1000 / 5 ltr.	1		
16	4812161883	Dynapac Gear Oil 300 / 5 ltr.	1		

**Service kits** 4812159463 Service kit, 500h Plus



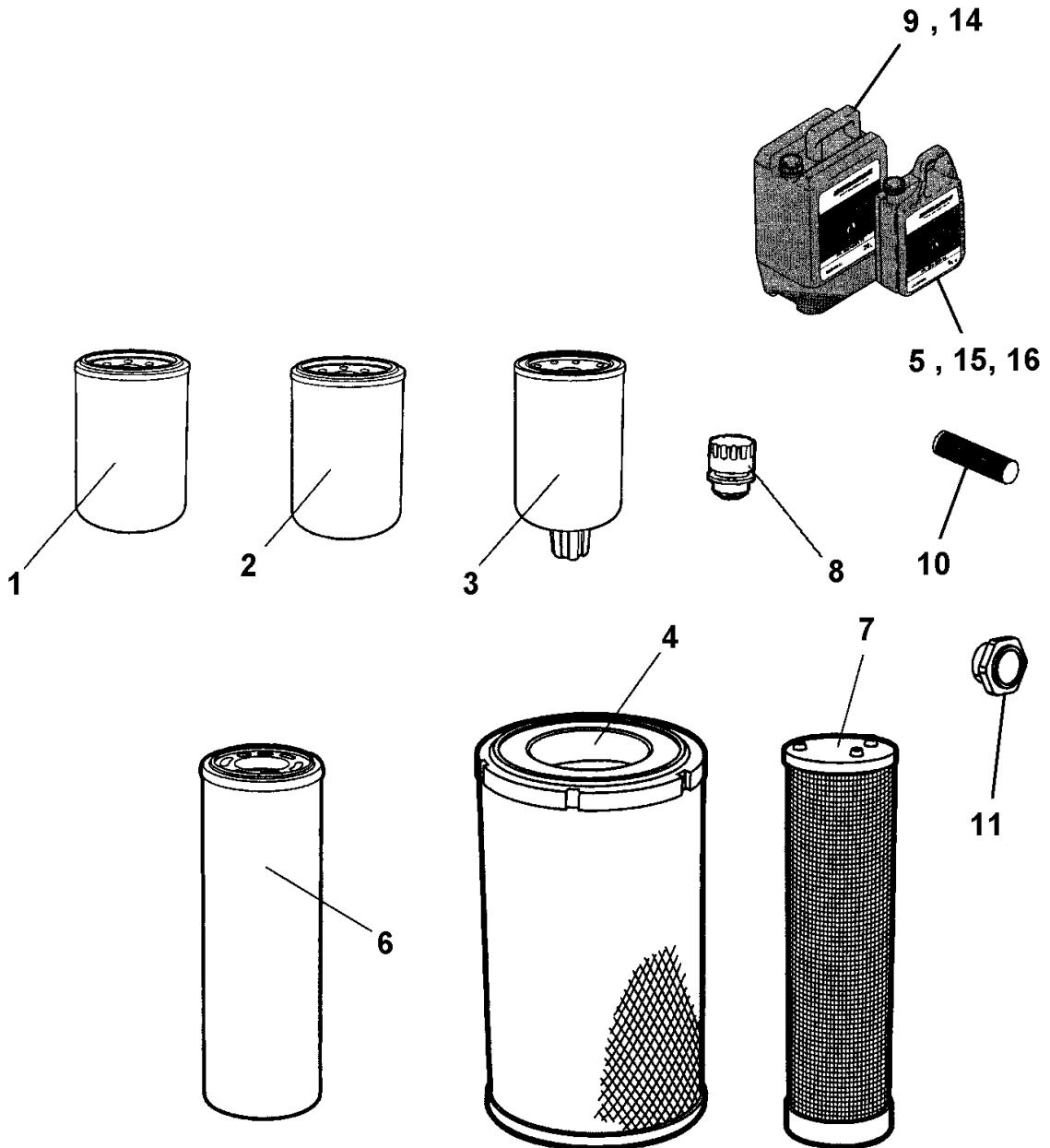
Item	Part No.	Name	Qty	L	SN INFO
-	4812159463	Service kit, 500h Plus	1		
1	4700939068	Oil filter	1		
2	4700950302	Fuel filter element	1		
3	4700950301	Pre-fuel filter element	1		
4	4700394686	Air filter, main	1		
5	4812161855	Dynapac Engine Oil 200 / 5 ltr.	2		

**Service kits** 4812159464 Service kit, 500h



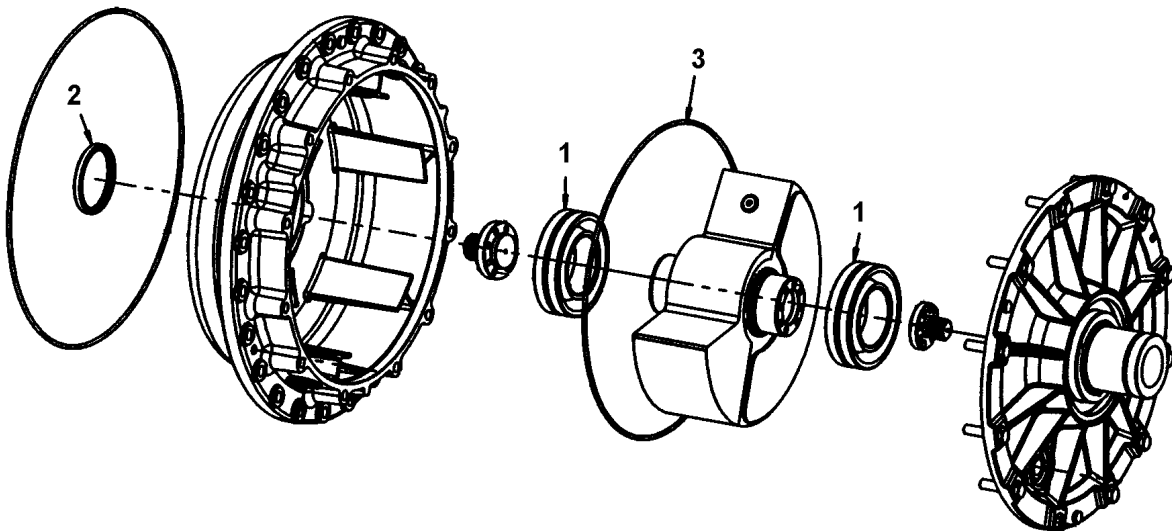
Item	Part No.	Name	Qty	L	SN INFO
-	4812159464	Service kit, 500h	1		
1	4700939068	Oil filter	1		
2	4700950302	Fuel filter element	1		
3	4700950301	Pre-fuel filter element	1		
4	4700394686	Air filter, main	1		

**Service kits** 4812159466 Service kit, 1000h



Item	Part No.	Name	Qty	L	SN INFO
-	4812159466	Service kit, 1000h	1		
1	4700939068	Oil filter	1		
2	4700950302	Fuel filter element	1		
3	4700950301	Pre-fuel filter element	1		
4	4700394686	Air filter, main	1		
6	4812112262	Hydraulic oil filter element	1		
7	4700394687	Air filter, safety	1		
8	4700357138	Ventilating filter	1		

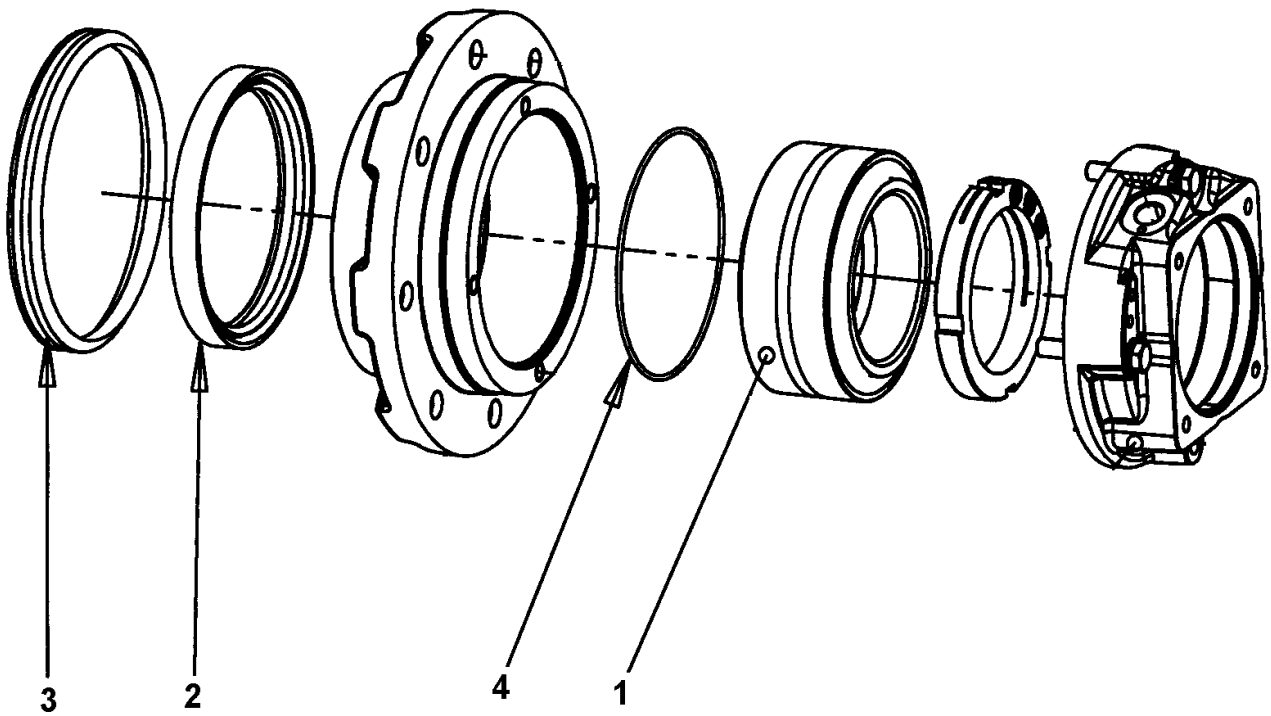
**Repair kits** Eccentric shaft kit





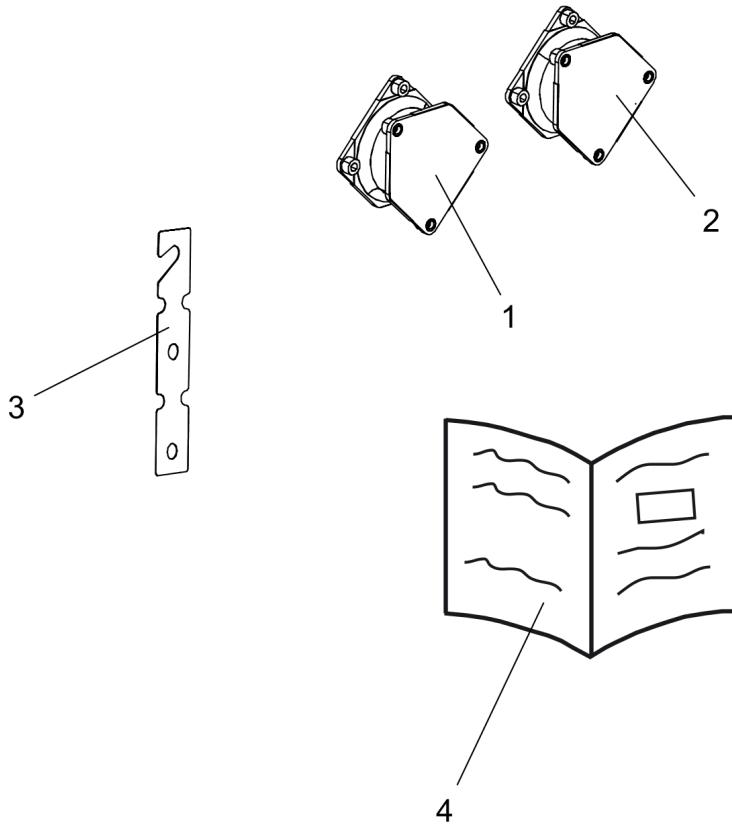
Item	Part No.	Name	Qty	L	SN INFO
0	4700945657	Eccentric shaft kit			
1	4700390896	Spherical roller bearing	2		
2	4812121209	Seal ring	1		
3	4700900776	O-ring	1		

**Repair kits** 4812157275 Drum rotation kit



Item	Part No.	Name	Qty	L	SN INFO
0	4812157275	Drum rotation kit	1		
1	4700116041	Taper roller bearing	1		
2	4700167023	Seal ring	1		
3	4700929447	V-ring	1		
4	4700160105	O-ring 70	1		

**Repair kits** 4812158581 Shock absorber kit, drum



Item	Part No.	Name	Qty	L	SN INFO
0	4812158581	Shock absorber kit, drum	1		
1	4812128927	Shock absorber	6	A	
2	4812113258	Shock absorber	4	B	
3	4812114344	Shim t=1mm	4		
4	4812156170	Instructions	1		

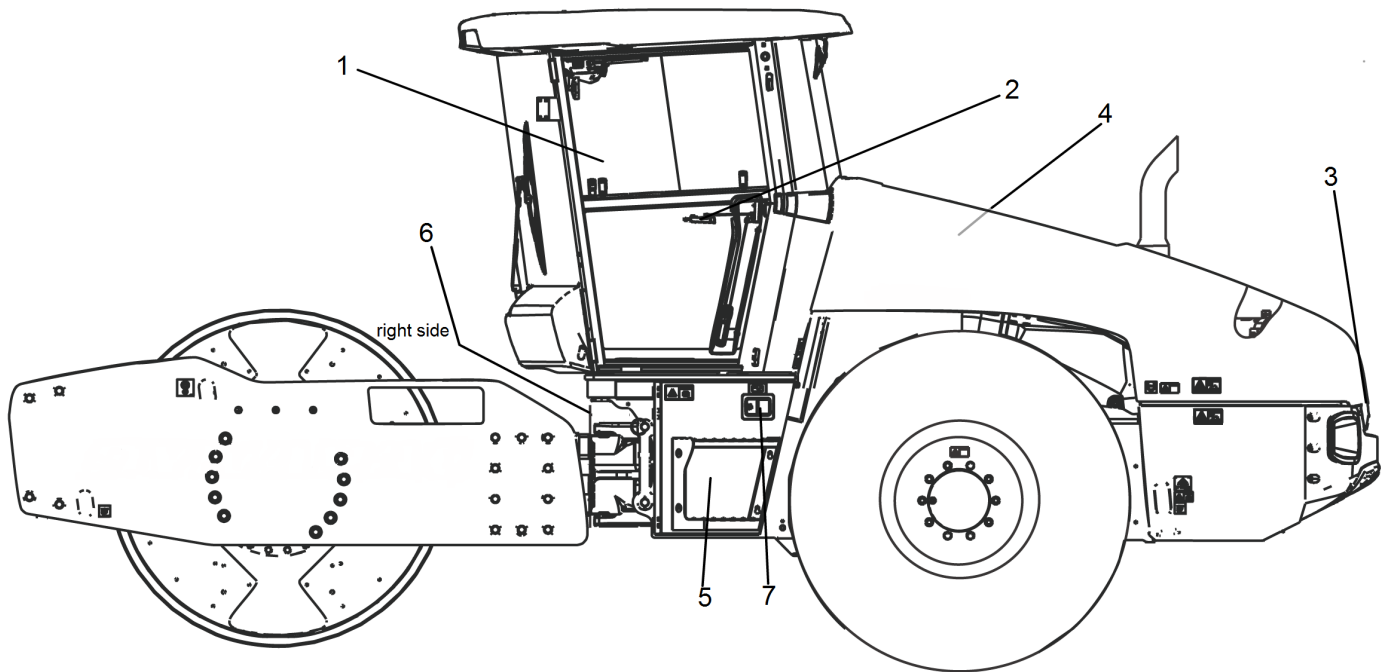
Comments for Page: 4812158581 Shock absorber kit, drum

(L)OCAL REMARKS

A | en\_US | Drive side.

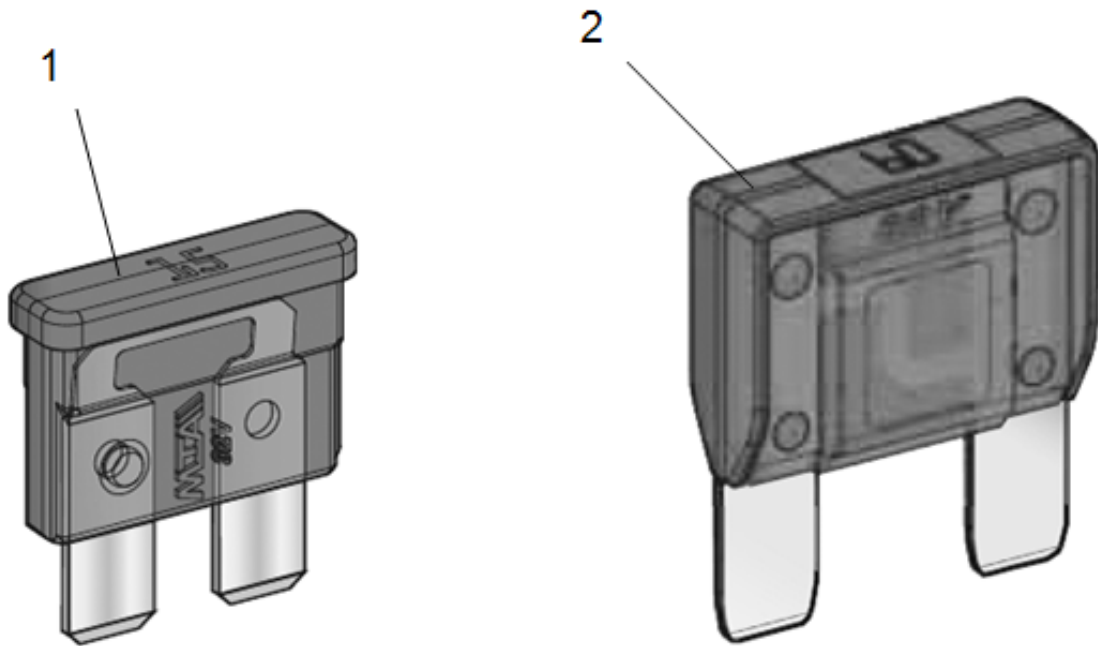
B | en\_US | Vibration side.

**General - Keys and others** Keys



Item	Part No.	Name	Qty	L	SN INFO
1	-	Ignition switch			
1	4700940451	Ignition key			
2	-	Cab door			
2	4812159558	Key (2pcs)			
3	-	Engine hood (handle)			
3	4700902866	Key Marked "455"			
4	-	Engine cover			
4	4700902866	Key Marked "455"			
5	-	Battery switch			
5	4700903641	Battery key			
6	-	Tool box			
6	4700358881	Pad lock			
7	-	Battery space			
7	4700358881	Pad lock			
7	4812161396	Key			

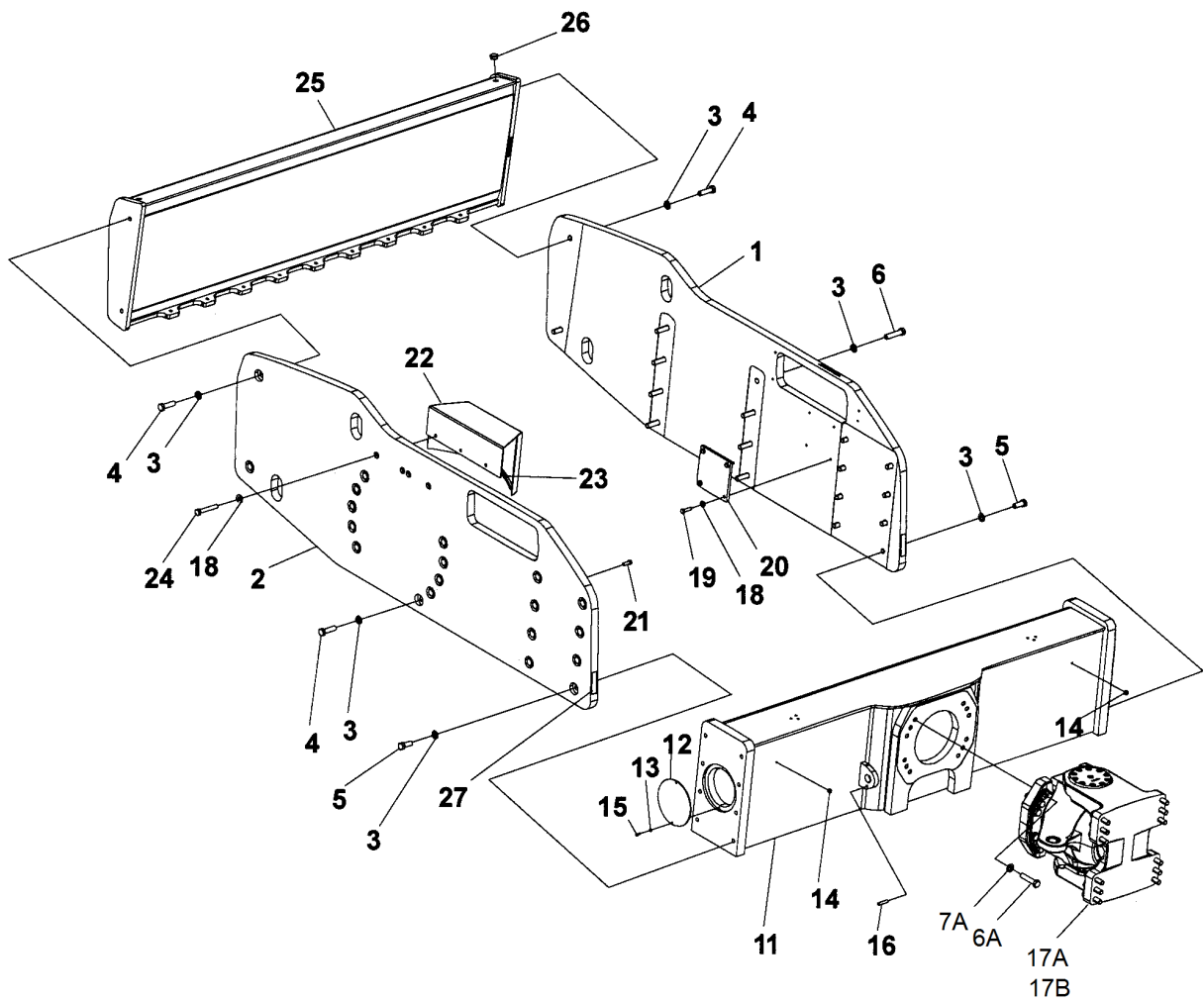
**General - Keys and others** Fuses





Item	Part No.	Name	Qty	L	SN INFO
1	-	Fuse, blade type Medium			
1	4700901224	Fuse, 3A Violet			
1	4700901225	Fuse 5A Tan			
1	4700901226	Fuse 7.5A Brown			
1	4700901227	Fuse 10A Red			
1	4700901228	Fuse, 15A Blue			
1	4700903741	Fuse 20A Yellow			
1	4700901229	Fuse, 25A Natural			
1	4700901230	Fuse, 30A Green			
2	-	Fuse, blade typ High			
2	4700904294	Fuse 20A Yellow			
2	4700904037	Fuse 30A Green			
2	4700904038	Fuse 40A Orange			
2	4700904039	Fuse 50A Red			
2	4700904040	Fuse 60A Blue			
2	4700904041	Fuse 70A Tan			
2	4700904042	Fuse 80A Natural (White)			

**Frame** Frame, front



Refer to Parts Online for the most up to date information. The printed information might be outdated.

Wed Nov 21 11:45:02 UTC 2018

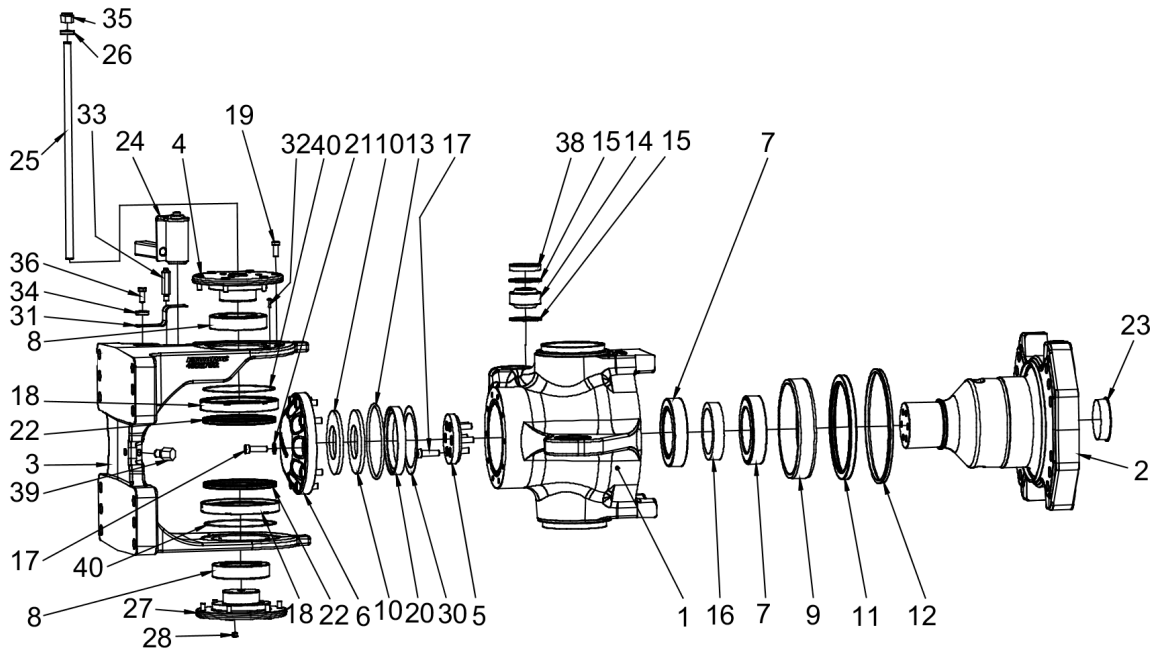
Item	Part No.	Name	Qty	L	SN INFO
1	-	Side plate lh	1		
2	-	Side plate rh	1		
3	4700903290	Steel plain washer 21x36x6	38		
4	4700500284	Screw	14		
5	4700927411	Screw	16		
6	4700925208	Screw M20x90	8		
6A	4700925208	Screw M20x90	24		To A016435
7A	4700904233	Steel plain washer 21x36x3	24		To A016435
11	4812121294	Crossbeam	1		
12	4812112162	Cover	2		
13	4700904228	Washer 6,4x12x1,5	4		
14	4700232041	Filter plug	2		
15	4700500013	Screw, M6x16 mm 8.8 A2K	4		
16	4700629064	Spring pin, slotted	1		
17A	4812120697	Steering hitch, cpl	1		To A016435
17B	-	Steering hitch module	1		From A016436
18	4700904230	Steel plain washer	3		
19	4700500028	Hex Head screw	4		
20	4812113607	Bracket	2		
21	4700500028	Hex Head screw	4		
22	4812113885	Protective hood	1		
23	4700902166	Edge trim	1XL	A	
24	4700500161	Screw	3		
25	4812113513	Crossbeam	1		
26	4700791396	Protective plug	2		
27	4700377742	Reflector, red	2		
28	4700377743	Reflector, white	2		

Comments for Page: Frame, front

(L)OCAL REMARKS

A | en\_US | L = 0.37m

**Frame 4812120697** Steering hitch, cpl.

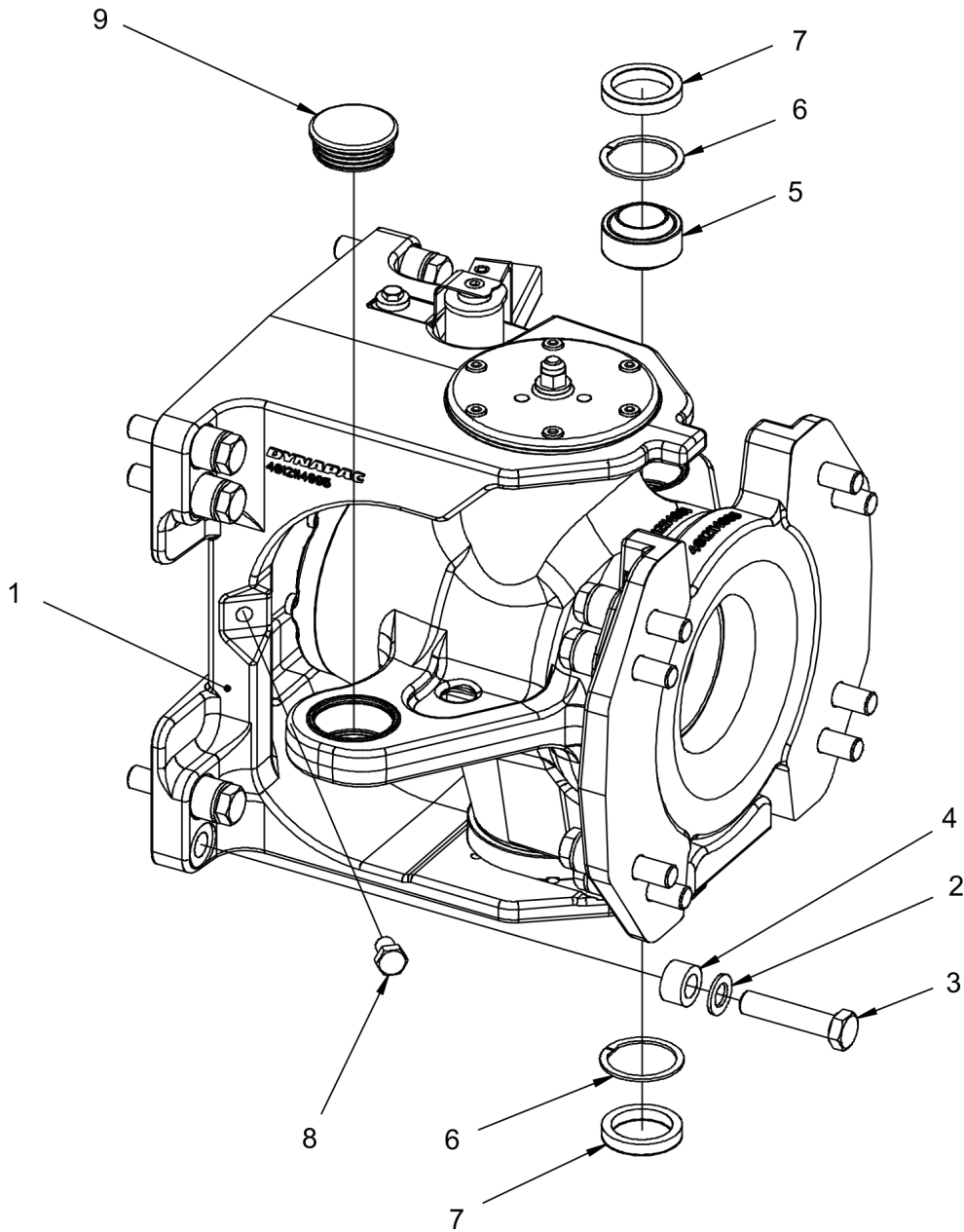


Item	Part No.	Name	Qty	L	SN INFO
1	4812117508	Yoke	1		
2	4812115392	Shaft	1		
3	4812120696	Holder	1		
4	4812121396	Shaft	1		
5	4812115949	Cover cap	1		
6	4812115950	Cover cap	1		
7	4812116334	Spherical plain bearing	2		
8	4812115467	Spherical plain bearing	2		
9	4812115398	Bushing	1		
10	4812116333	Disc spring	2		
11	4700391031	Radial lip-type seal	1		
12	4700792515	Sealing, v-ring	1		
13	4700160296	O-ring 70	1		
14	4812116821	Radial spherical plain bearing	1		
15	4700151023	Retaining ring	2		
16	4812116340	Spacer washer	1		
17	4700792394	Screw	16		
18	4812121398	Radial seal	2		
19	4812120414	Hexagon socket head cap screw w Tuflok	12		
20	4812115947	Washer	1		
21	4700904231	Washer, 13x24x2 mm 300 HV	10		
22	4812120615	Radial lip-type seal	2		
23	4812116702	Protective plug	1		
24	4812119809	Locking pin cpl	1		
25	4812120618	Threaded stud	1		
26	4700904558	Washer, 17x30x6 mm 300 HV	1		
27	4812121397	Shaft	1		
28	4700792083	Plug	6		
30	4812117530	Shim washer	1		
31	4812121665	Stop plate	1		
32	4812121282	Thread forming screw m	8		
33	4812119807	Holder	1		
34	4700904567	Washer, 10.5x28x6 mm	1		
35	0291112842	Lock nut M	1		
36	4700500028	Hex Head screw	1		
38	4812120661	Sealing strip	1		
39	4812120702	Stop plate	1		
40	4812121111	O-ring	2		

Refer to Parts Online for the most up to date information. The printed information might be outdated.

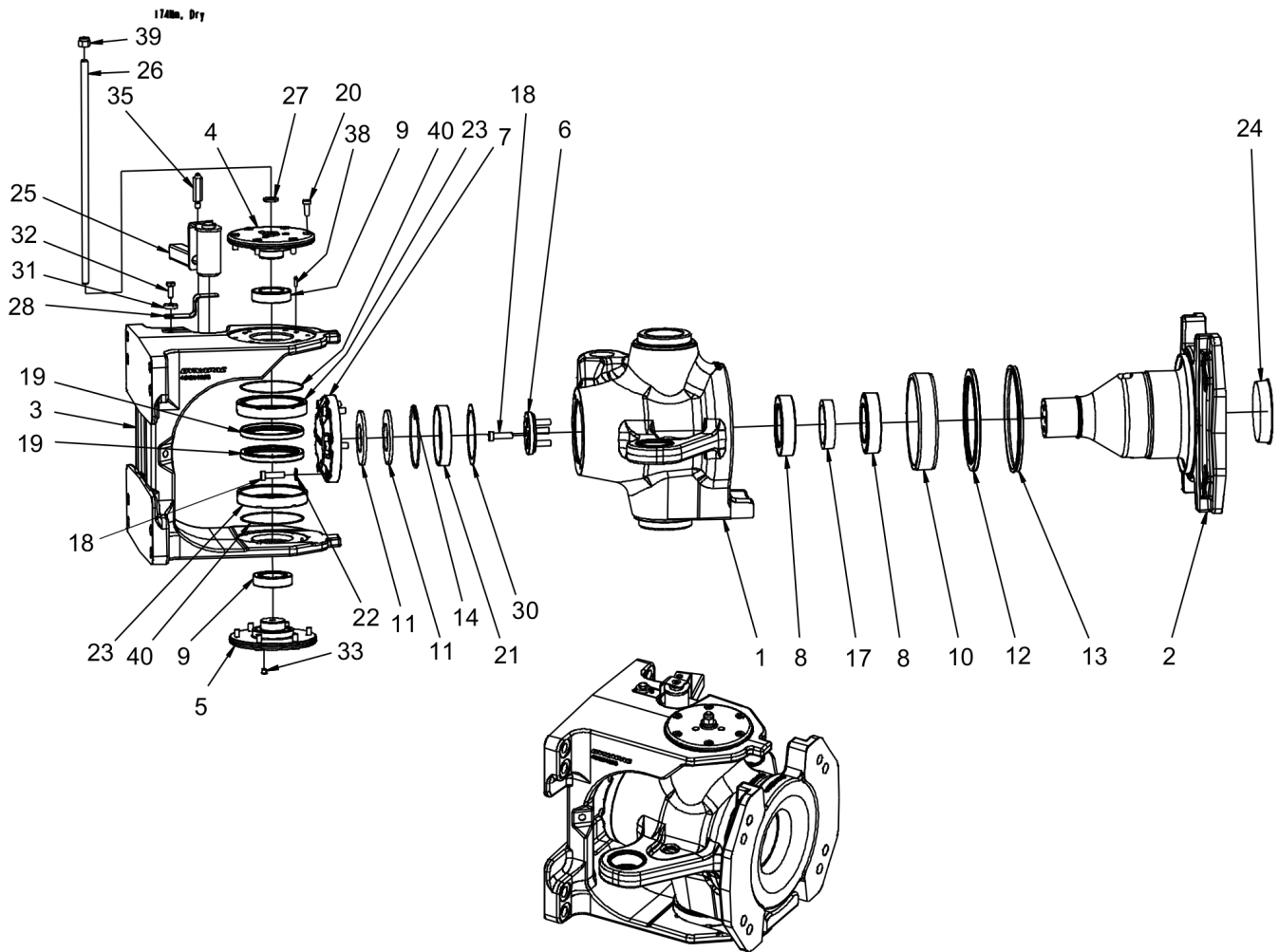
Wed Nov 21 11:45:03 UTC 2018

**Frame** Steering hitch module



Item	Part No.	Name	Qty	L	SN INFO
1	4812114990	Steering hitch, cpl	1		
2	4700904233	Steel plain washer 21x36x3	16		
3	4700925208	Screw M20x90	16		
4	4812110366	Spacer	16		
5	4812116821	Radial spherical plain bearing	1		
6	4700151023	Retaining ring	2		
7	4812120661	Sealing strip	2		
8	4700500119	Screw	1		
9	4812123683	Protective plug	1		

**Frame 4812114990 Steering hitch, cpl**



Refer to Parts Online for the most up to date information. The printed information might be outdated.

Wed Nov 21 11:45:04 UTC 2018



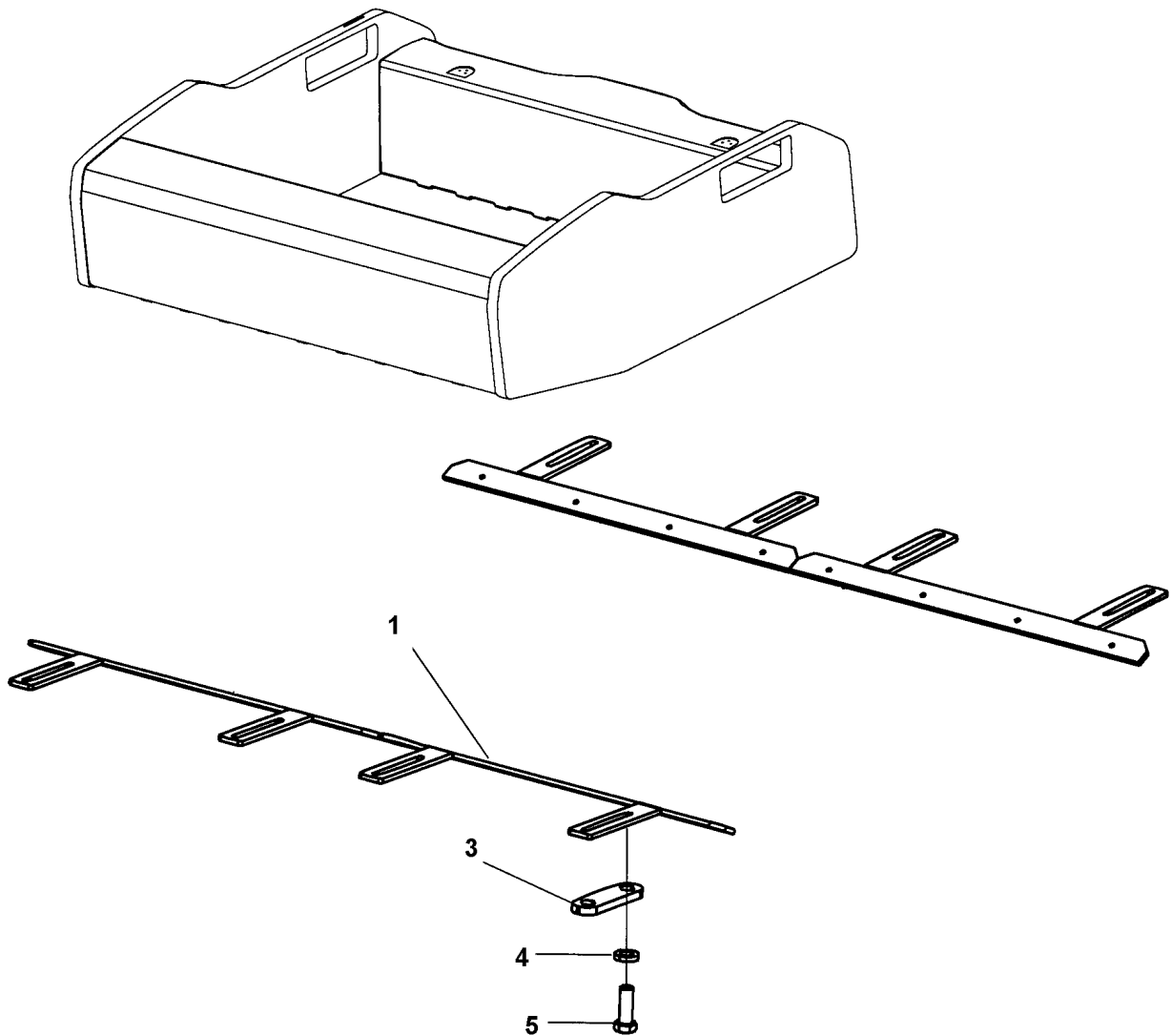
Item	Part No.	Name	Qty	L	SN INFO
1	4812114991	Hitch yoke	1		
2	4812114993	Shaft	1		
3	4812114995	Hitch holder	1		
4	4812114997	Shaft	1		
5	4812117867	Shaft	1		
6	4812115424	Cover cap	1		
7	4812115425	Cover cap	1		
8	4812115467	Spherical plain bearing	2		
9	4812115468	Angular contact spherical	2		
10	4812114999	Bushing	1		
11	4812115422	Disc spring	2		
12	4812115427	Radial lip-type seal	1		
13	4700792516	Sealing, V-ring	1		
14	4700160132	O-ring 70	1		
17	4812115000	Spacer washer	1		
18	4700792394	Screw	10		
19	4812120707	Radial lip-type seal	2		
20	4812120414	Hexagon socket head cap screw w Tuflok	12		
21	4812115423	Spacer washer	1		
22	4700904231	Washer, 13x24x2 mm 300 HV	6		
23	4812120681	Back-up ring	2		
24	0686901038	Protective plug	1		
25	4812119809	Locking pin cpl	1		
26	4812124006	Threaded stud	1		
27	4700904214	Washer 15x30x4 300 HV	1		
28	4812121665	Stop plate	1		
30	4812116680	Shim washer	1		
31	4700904567	Washer, 10.5x28x6 mm	1		
32	4700500028	Hex Head screw	1		
33	4700902919	Plug	6		
35	4812119807	Holder	1		
38	4812121282	Thread forming screw m	8		
39	4812124012	Lock nut M	1		
40	4700160372	O-ring 70	2		

**Scrapers, option** Scrapers, option

**NO DRAWING  
AVAILABLE  
FOR THIS BOM**

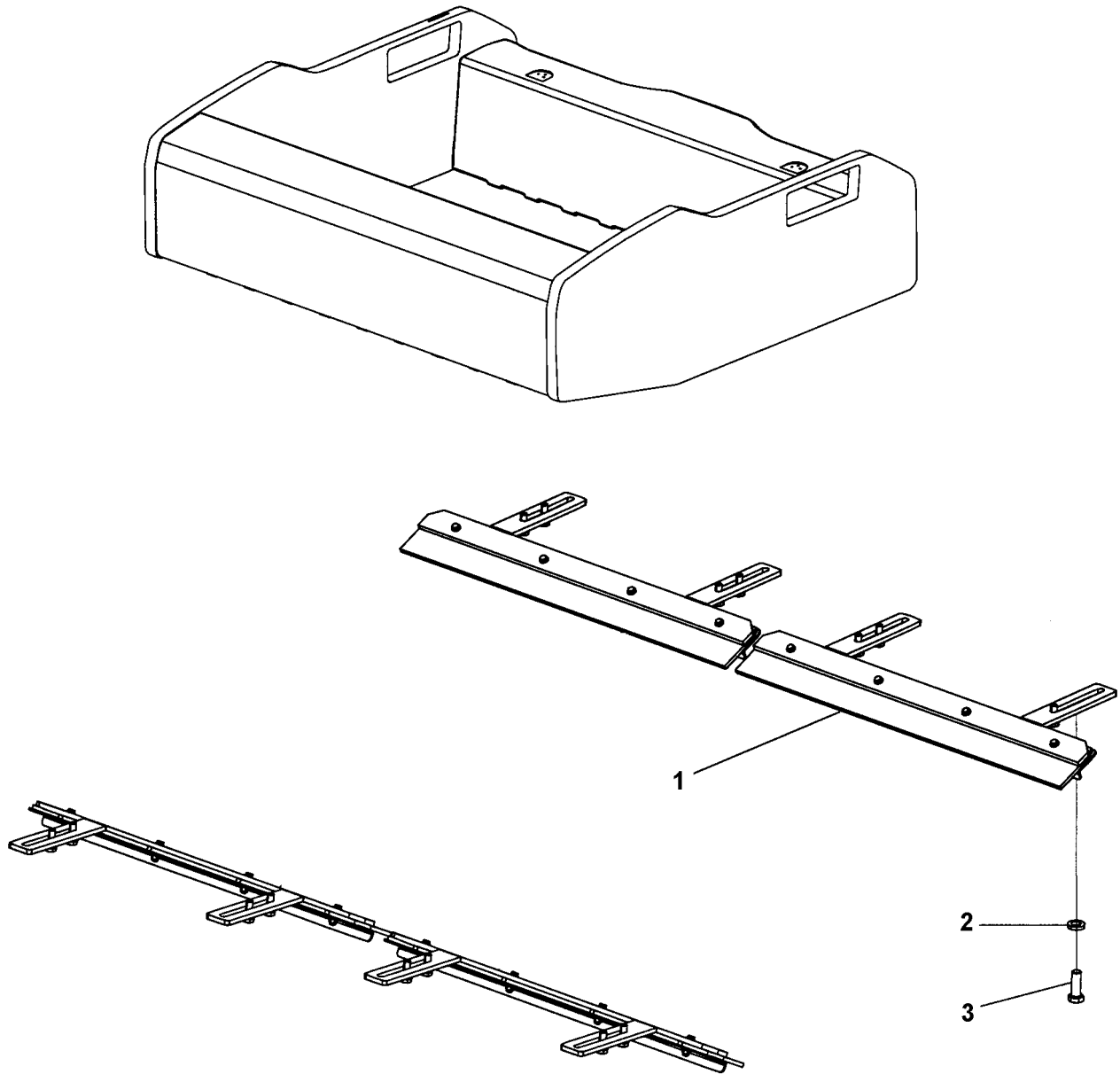
Item	Part No.	Name	Qty	L	SN INFO
1	-	Scraper module	4		
2	-	Scraper module Rubber	4		

**Scrapers, option** Scraper module Steel



Item	Part No.	Name	Qty	L	SN INFO
1	4812115778	Scraper	1		
3	4812111103	Holder	2		
4	4700904558	Washer, 17x30x6 mm 300 HV	4		
5	4700500102	Hex. screw	4		

**Scrapers, option** Scraper module Rubber



Refer to Parts Online for the most up to date information. The printed information might be outdated.

Wed Nov 21 11:45:04 UTC 2018

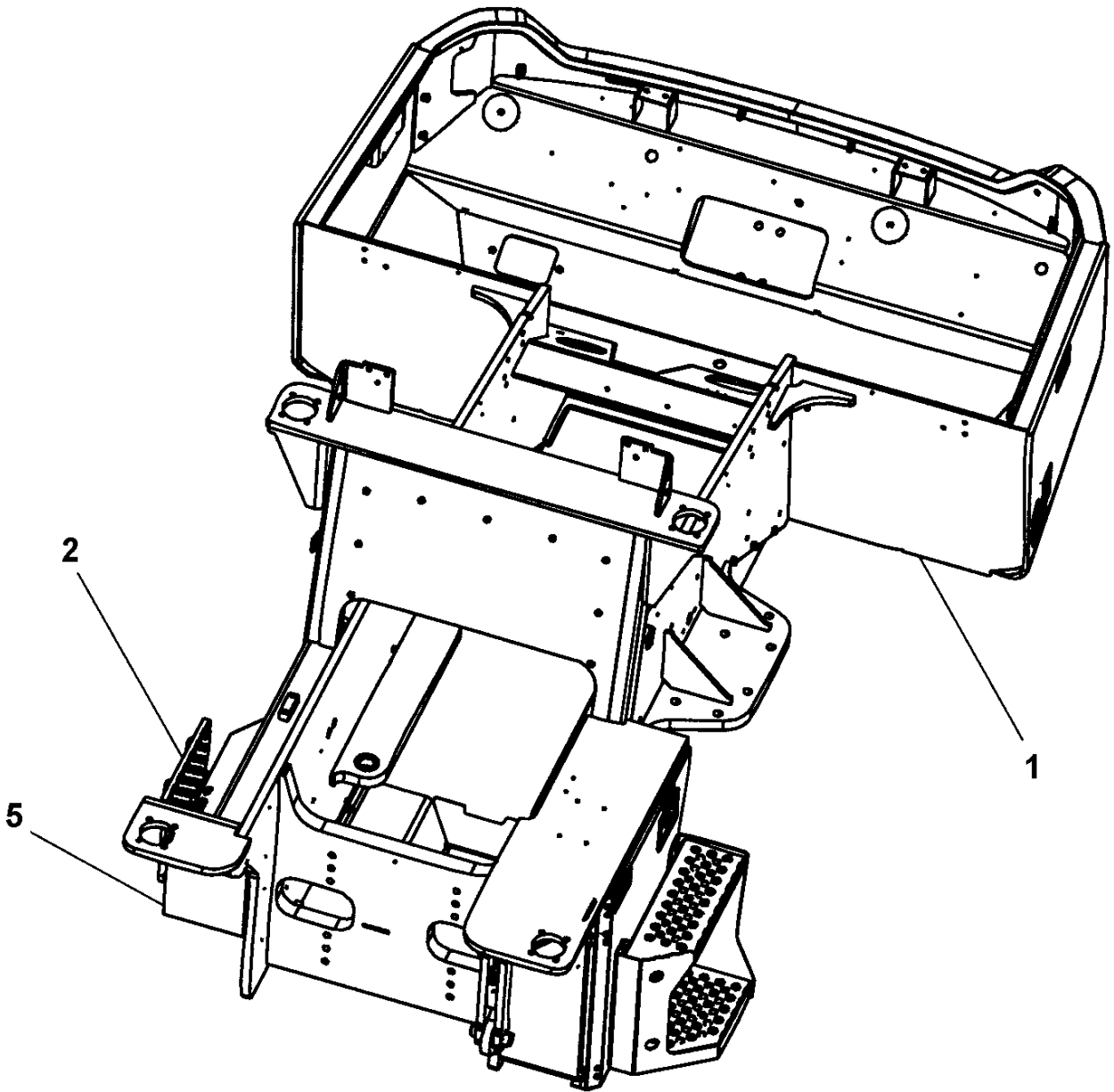
Item	Part No.	Name	Qty	L	SN INFO
1	-	Scraper assy	1		
2	4700904558	Washer, 17x30x6 mm 300 HV	4		
3	4700500102	Hex. screw	4		





Item	Part No.	Name	Qty	L	SN INFO
1	4812115778	Scraper	1		
2	4812114833	Scraper blade	1		
3	4812111092	Bracket	1		
4	4812111103	Holder	2		
5	4700904230	Steel plain washer	8		
6	4700500161	Screw	4		
7	4700586018	Lock nut M10	4		

**Frame** Frame, rear



Refer to Parts Online for the most up to date information. The printed information might be outdated.

Wed Nov 21 11:45:04 UTC 2018

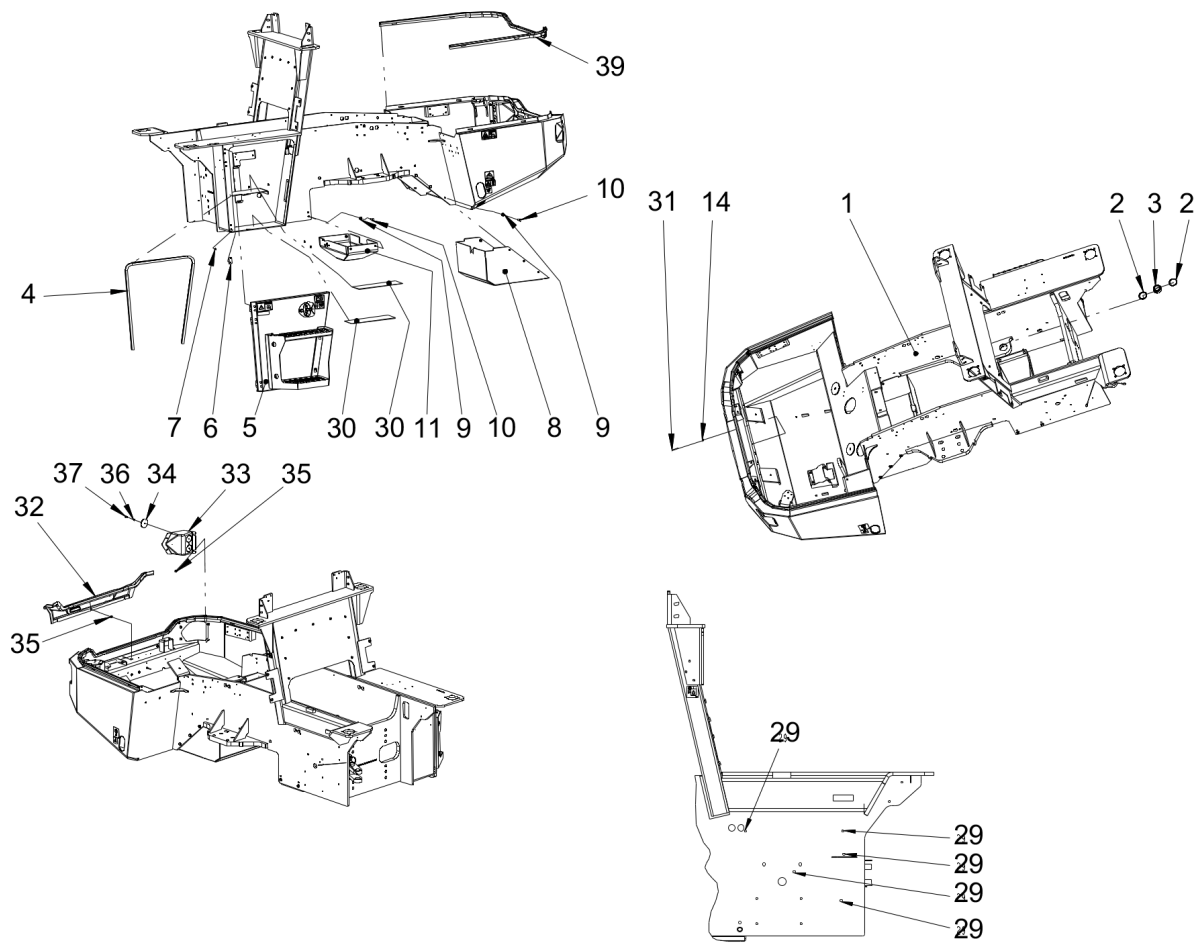
Item	Part No.	Name	Qty	L	SN INFO
1	-	Frame, rear	1		
2	-	Step module	1	A	
5	-	Tool box module, Option	1		

Comments for Page: Frame, rear

(L)OCAL REMARKS

A | en\_US | Used with cab.

**Frame** Frame, rear



Refer to Parts Online for the most up to date information. The printed information might be outdated.

Wed Nov 21 11:45:04 UTC 2018

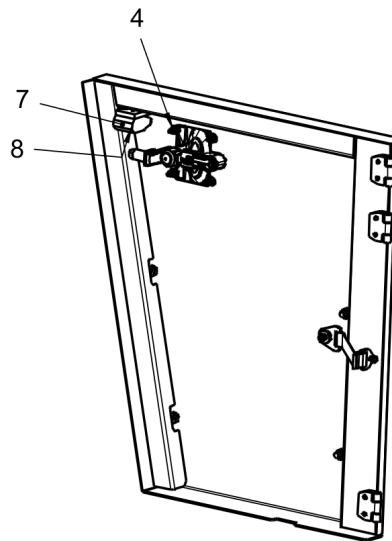
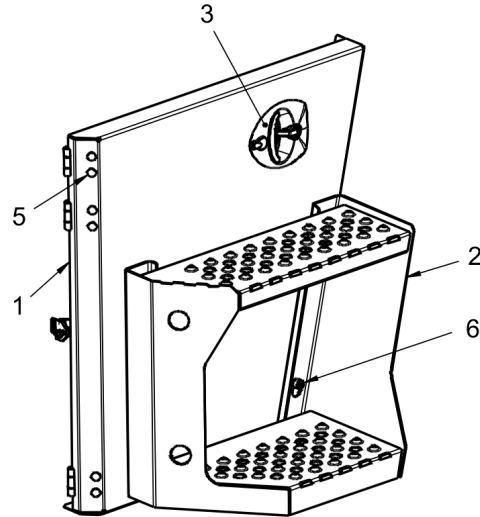
Item	Part No.	Name	Qty	L	SN INFO
1	4812112823	Frame rear	1		
2	4700151023	Retaining ring	2		
3	4812116821	Radial spherical plain bearing	1		
4	4700202057	Rubber edge trim	0		
5	-	Cover assembly	1		
6	4700389857	Threaded plate	3		
7	4700513012	Screw, M6 x 20 mm 10.9 GEOMET®	6		
8	4812115294	Cover plate	1		
9	4700904557	Washer, 10.5x22x4 mm 300 HV	10		
10	4700500031	Screw M10x40	10		
11	4812117048	Cover plate	1		
14	4700570005	Hexagon nut	1		
27	4700377744	Reflector, yellow	2		
29	4700926215	Protective plug	5		
30	4700355608	Slip protection	2		
31	0248998073	Threaded stud	1		
32	4812120153	Cover	1		
33	4812120160	Holder	2		
34	4700791956	Reflector, red	4		
35	4700903586	Nut, M8x1.25 mm A2K	13		
36	4700904228	Washer 6,4x12x1,5	8		
37	4700791666	Blind rivet	4		
39	4812120363	Edge trim	1XL	A	
40	4812120661	Sealing strip	1		

Comments for Page: Frame, rear

(L)OCAL REMARKS

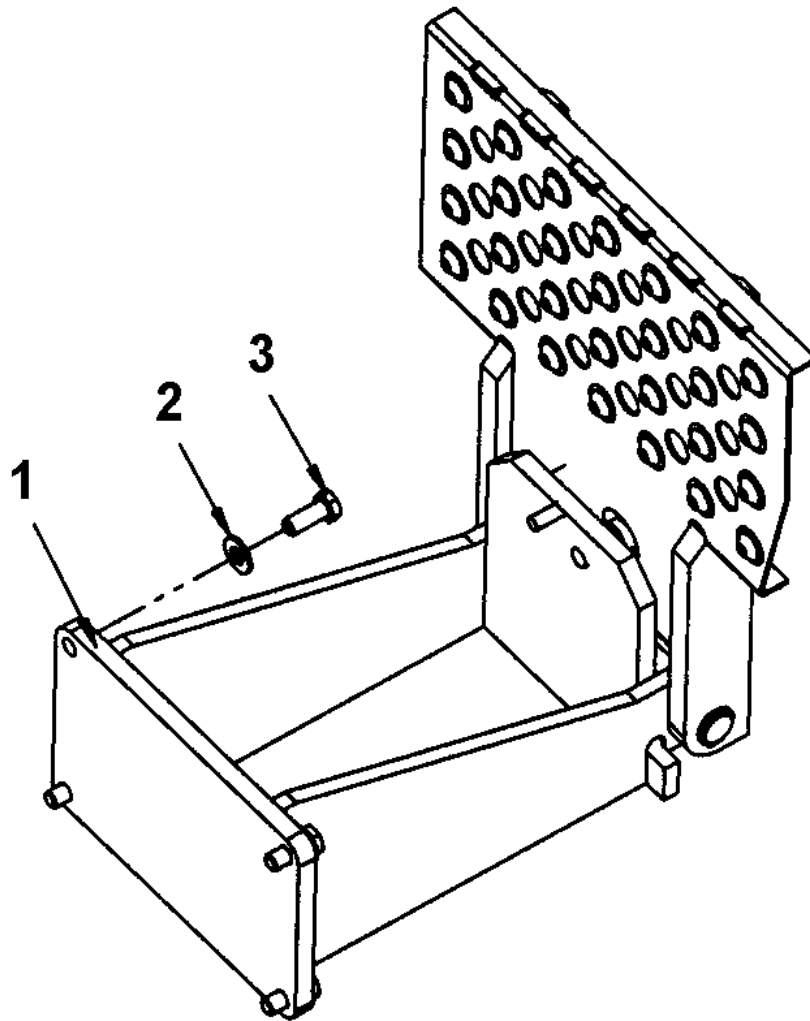
A | en\_US | L = 3.1m

**Frame** Cover assembly



Item	Part No.	Name	Qty	L	SN INFO
1	4812113315	Cover	1		
1.1	4700396839	Hinge	3		
2	4812112059	Step assy	1		
3	4812121914	Lock with bracket	1		
4	4700902285	Nut	4		
5	4700921723	Plug	6		
6	4700508028	Screw, M10x20H	4		
7	4700390365	Spacer	1		
8	4700513017	Screw	2		

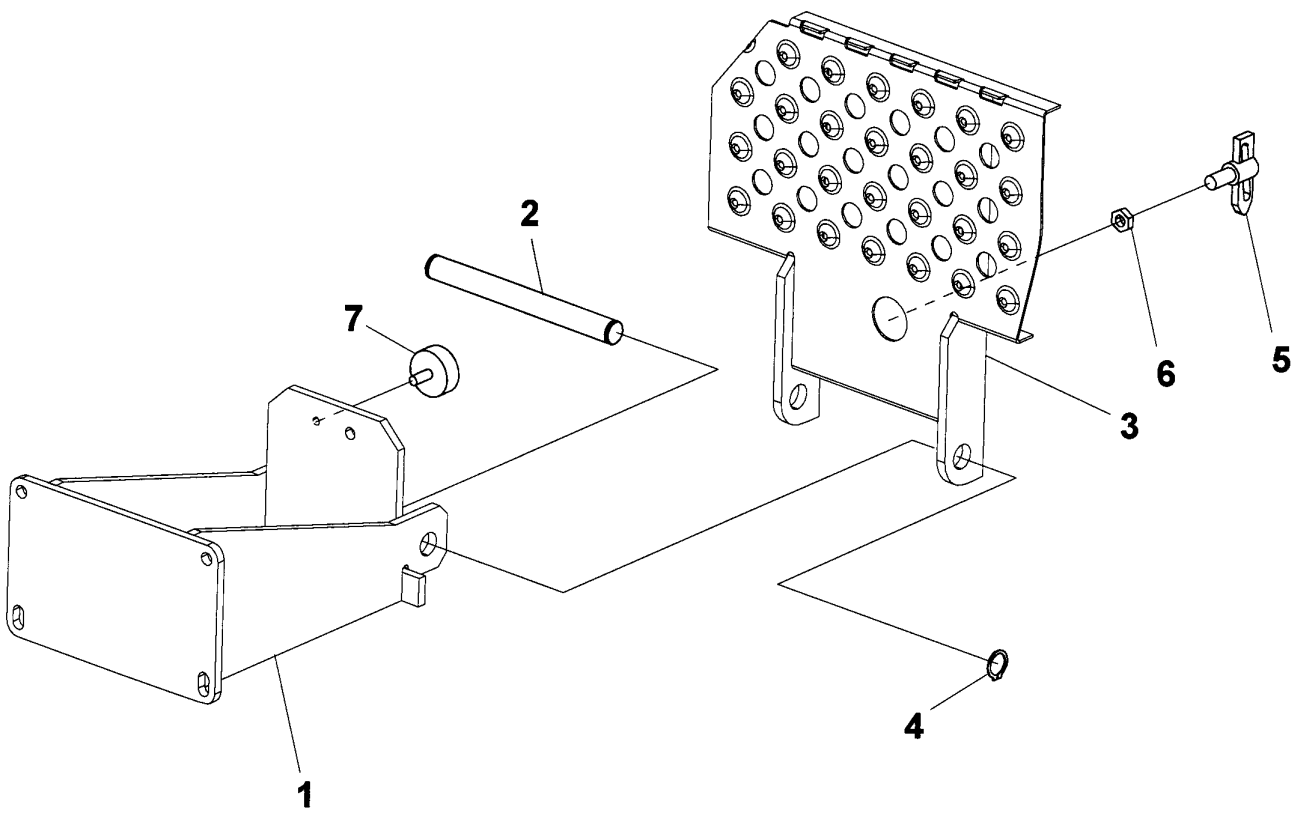
**Frame** Step module





Item	Part No.	Name	Qty	L	SN INFO
1	-	Step assy	1		
2	4700904230	Steel plain washer	4		
3	4700500028	Hex Head screw	4		

**Frame Step assy**



Refer to Parts Online for the most up to date information. The printed information might be outdated.

Wed Nov 21 11:45:05 UTC 2018

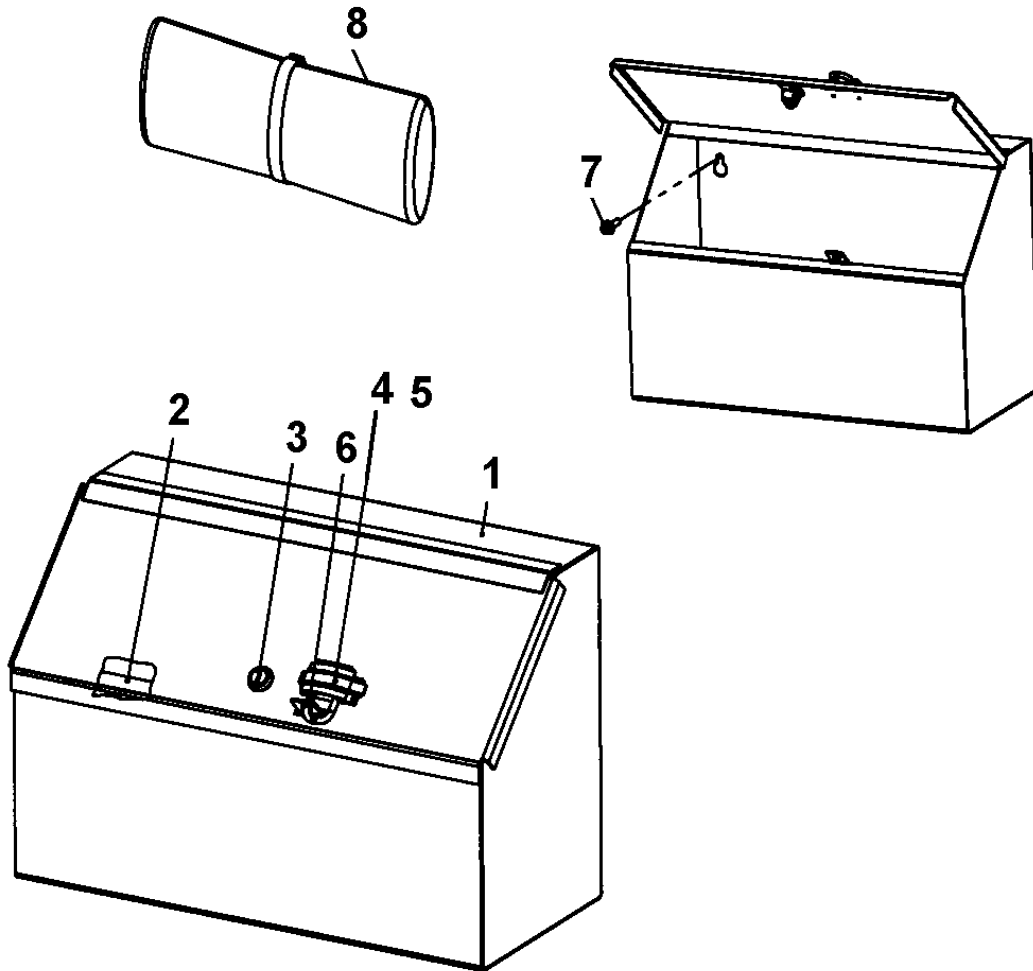
Item	Part No.	Name	Qty	L	SN INFO
1	4812116653	Bracket	1	A	
2	4812116651	Shaft	1	A	
3	4812116652	Step	1	A	
4	4700150008	Circlip	2		
5	4700475064	Lock	1		
6	4700927233	Nut	1		
7	4700792601	Shock absorber	1		

Comments for Page: Step assy

(L)OCAL REMARKS

A | en\_US | Item 1, 2 and 3 used together.

**Frame** Tool box module, Option



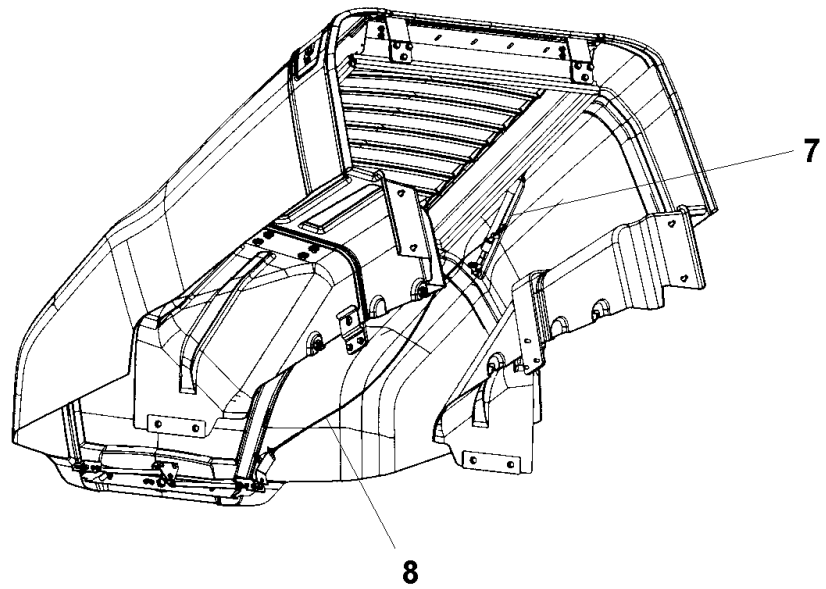
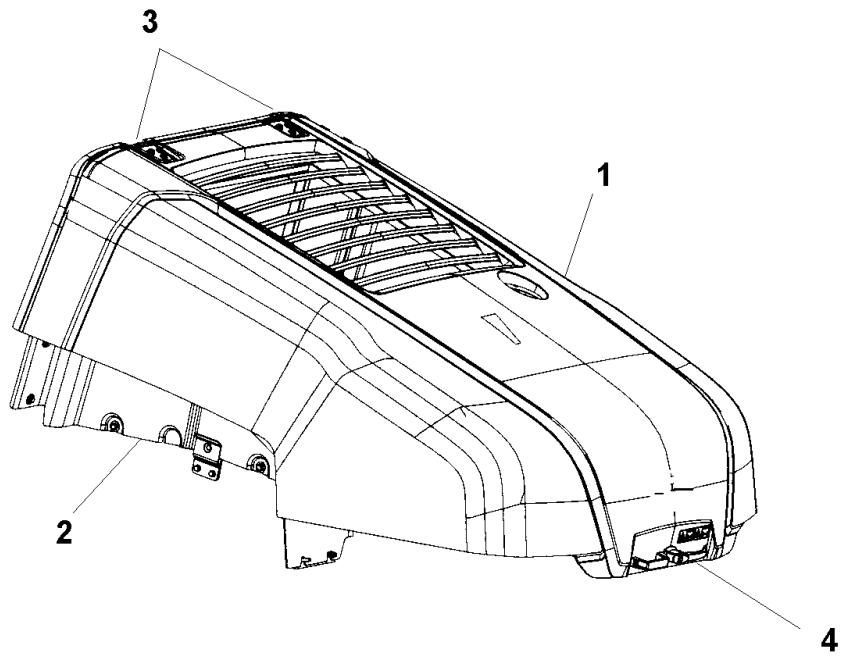
Item	Part No.	Name	Qty	L	SN INFO
1	4812114756	Tool box	1		
2	4700903615	Rubber strip	1XL	A	
3	4700372658	Lock	1		
4	4700394536	Wiring clip	1		
5	4700624018	Blind rivet	2		
6	4700358881	Pad lock	1		
7	4700902041	Screw, M8x25mm 8.8 A2K	3		
8	4700355889	Tool set Cpl	1		

Comments for Page: Tool box module, Option

(L)OCAL REMARKS

A | en\_US | L=0.48m

**Engine structure** Engine structure

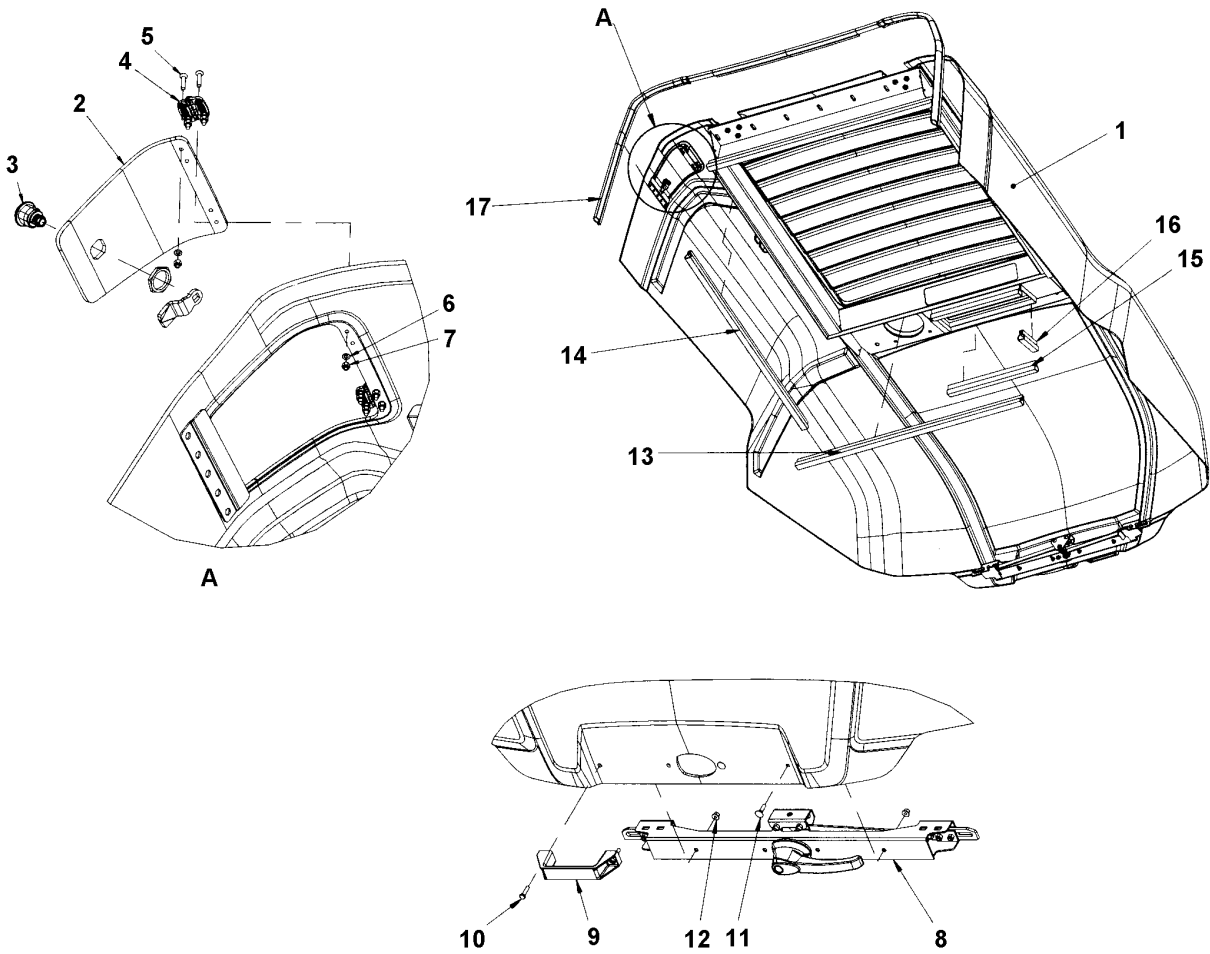


Refer to Parts Online for the most up to date information. The printed information might be outdated.

Wed Nov 21 11:45:06 UTC 2018

Item	Part No.	Name	Qty	L	SN INFO
1	-	Engine hood module	1		
2	-	Fender module	1		
3	-	Hinge module	2		
4	-	Lock handle assy	1		
7	-	Gas spring module	1		
8	-	Safety link module	1		

**Engine structure** Engine hood module





Item	Part No.	Name	Qty	L	SN INFO
1	4812116812	Engine hood Cpl	1		
2	4812116815	Cover	1		
3	4812112834	Lock	1		
3	4700902866	Key Marked "455"	2		
4	4812116862	Hinge	2		
5	4812118976	Hex.sock.flat head cap screw	8		
6	4700904698	Plain washer	8		
7	4700923976	Lock nut	8		
8	4812118994	Lock handle, cpl	1		
9	4812112404	Grab handle	1		
10	4700500075	Screw, M6-1,0x25 mm 8.8	2		
11	4700903923	Cup square neck bolt	2		
12	4700902285	Nut	4		
13	4812117839	Sealing strip	1XL	A	
14	4812117839	Sealing strip	1XL	B	
15	4812117839	Sealing strip	1XL	C	
16	4812117839	Sealing strip	1XL	D	
17	4812114814	Sealing strip	1		

Comments for Page: Engine hood module

(L)OCAL REMARKS

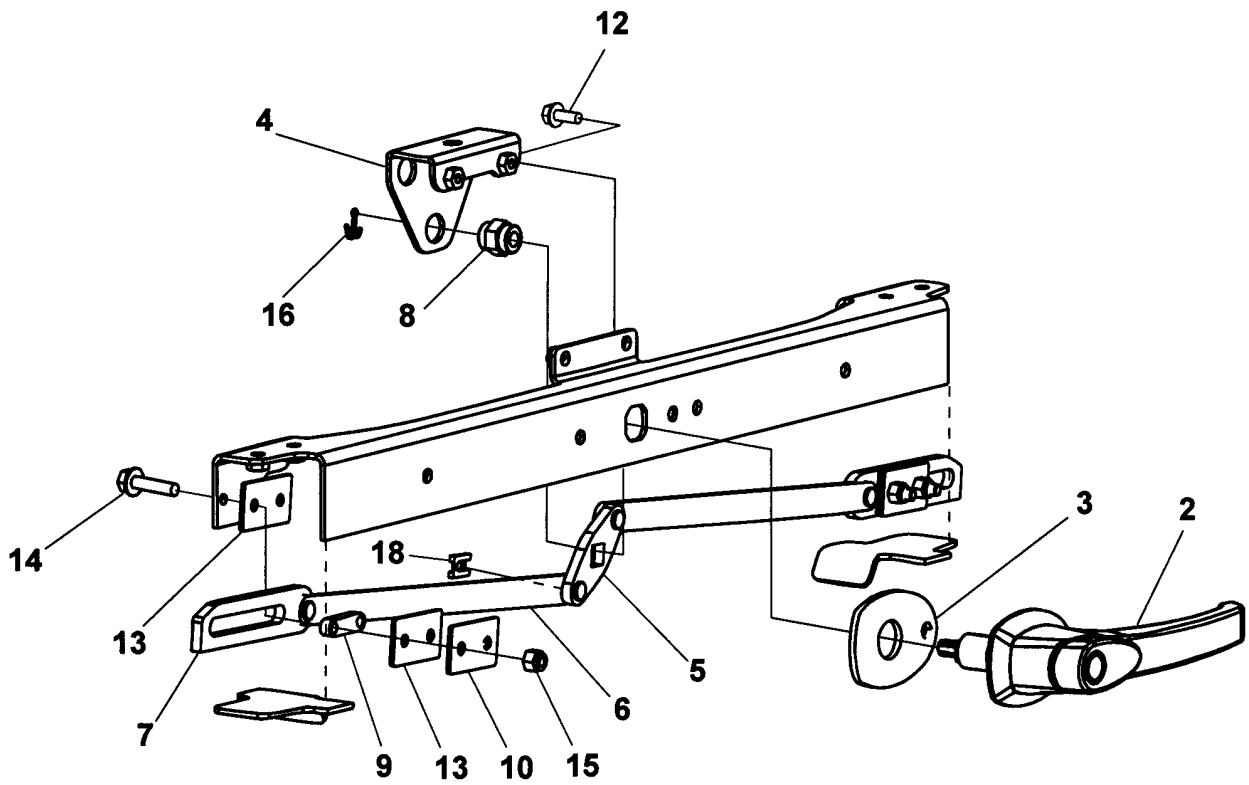
A | en\_US | L = 1.96m

B | en\_US | L = 1.87m

C | en\_US | L = 0.76m

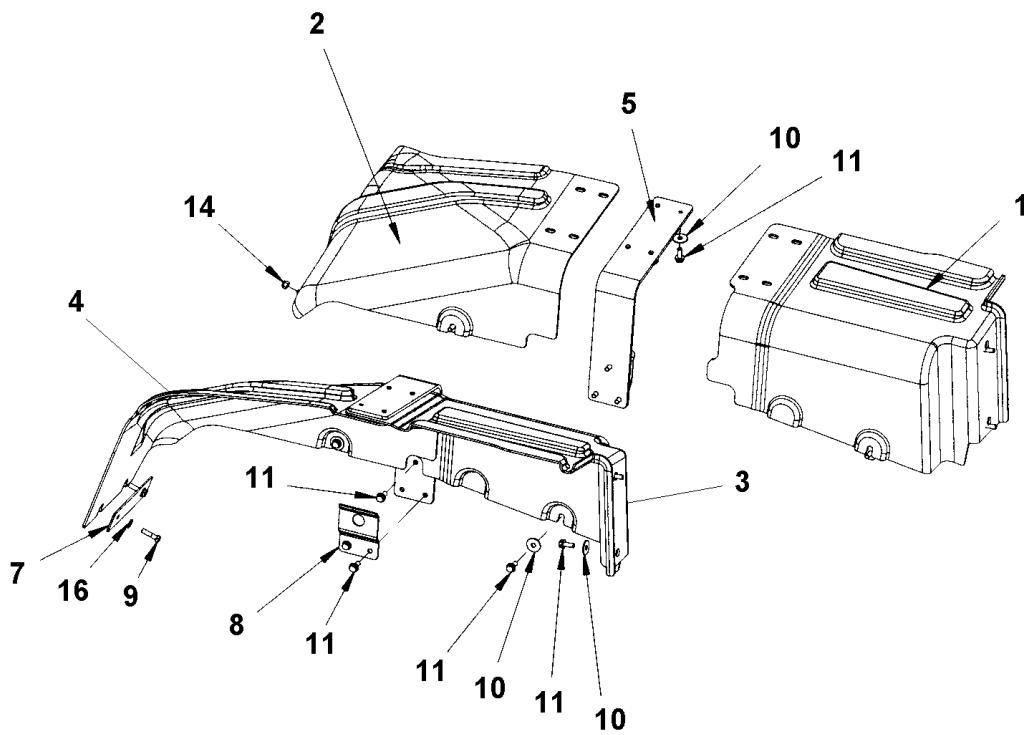
D | en\_US | L = 0.21m

**Engine structure** 4812118994 Lock handle, cpl



Item	Part No.	Name	Qty	L	SN INFO
-	4812118994	Lock handle, cpl	1		
2	4812112403	Lock handle	1		
2	4700902866	Key Marked "455"	1		
3	4812114828	Spacer washer	1		
4	4812118989	Holder	1		
5	4812114829	Coupling link	1		
6	4812114830	Lock lever	2		
7	4812112843	Lock lever	2		
8	4812114831	Lock nut	1		
9	4812112884	Slide plate	2		
10	4812116793	Thrust washer	2		
12	4700792119	Screw, M6x16 mm 8.8 A2K	2		
13	4812116792	Slide plate	4		
14	4700500502	Hexagon screw with flange M6 -25	4		
15	4700586002	Lock nut M6 -8	4		
16	4700630003	Split pin	1		
18	4812117473	Locking clip for shaft	4		

**Engine structure** Fender module

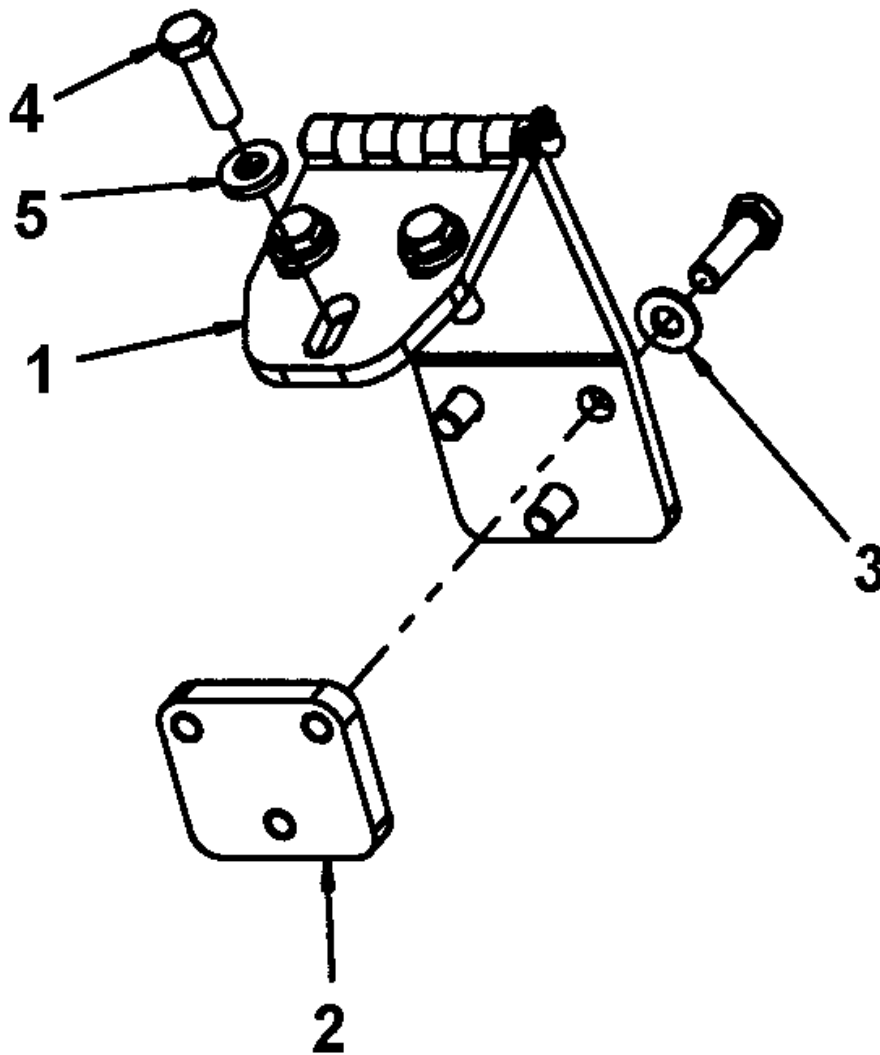


Refer to Parts Online for the most up to date information. The printed information might be outdated.

Wed Nov 21 11:45:06 UTC 2018

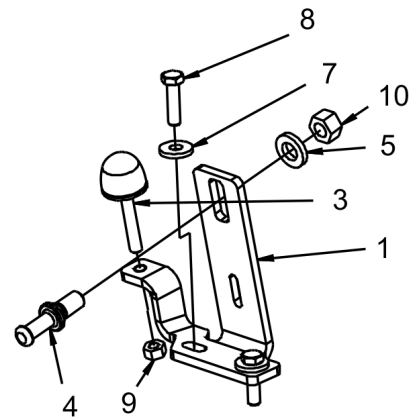
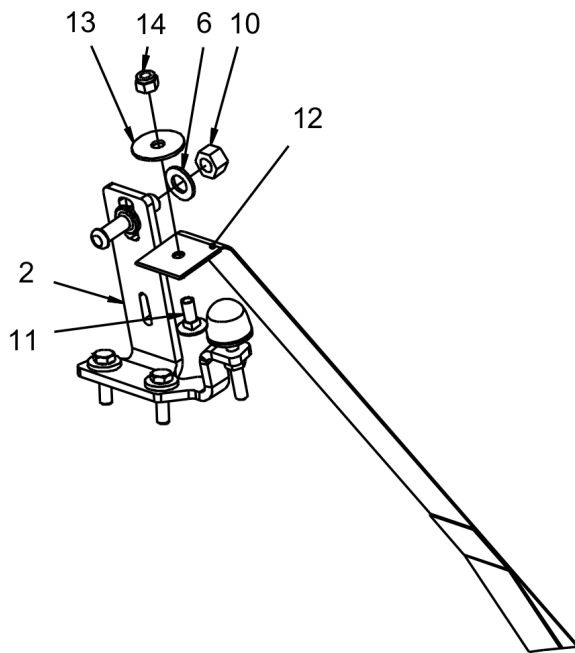
Item	Part No.	Name	Qty	L	SN INFO
1	4812116320	Fender	1		
2	4812116321	Fender	1		
3	4812116318	Fender	1		
4	4812116319	Fender	1		
5	4812116323	Bracket	2		
7	4812116322	Bracket	2		
8	4812116308	Bracket	2		
9	4700500031	Screw M10x40	4		
10	4700615061	Steel plain washer	16		
11	4700500509	Screw, M10x25, 8.8	22		
14	4700586018	Lock nut M10	1		
16	4700904230	Steel plain washer	5		

**Engine structure** Hinge module



Item	Part No.	Name	Qty	L	SN INFO
1	4812112402	Hinge	2		
2	4700374799	Holder plate	2		
3	4700904230	Steel plain washer	6		
4	4700500030	Hexagon head screw	12		
5	4700904557	Washer, 10.5x22x4 mm 300 HV	6		

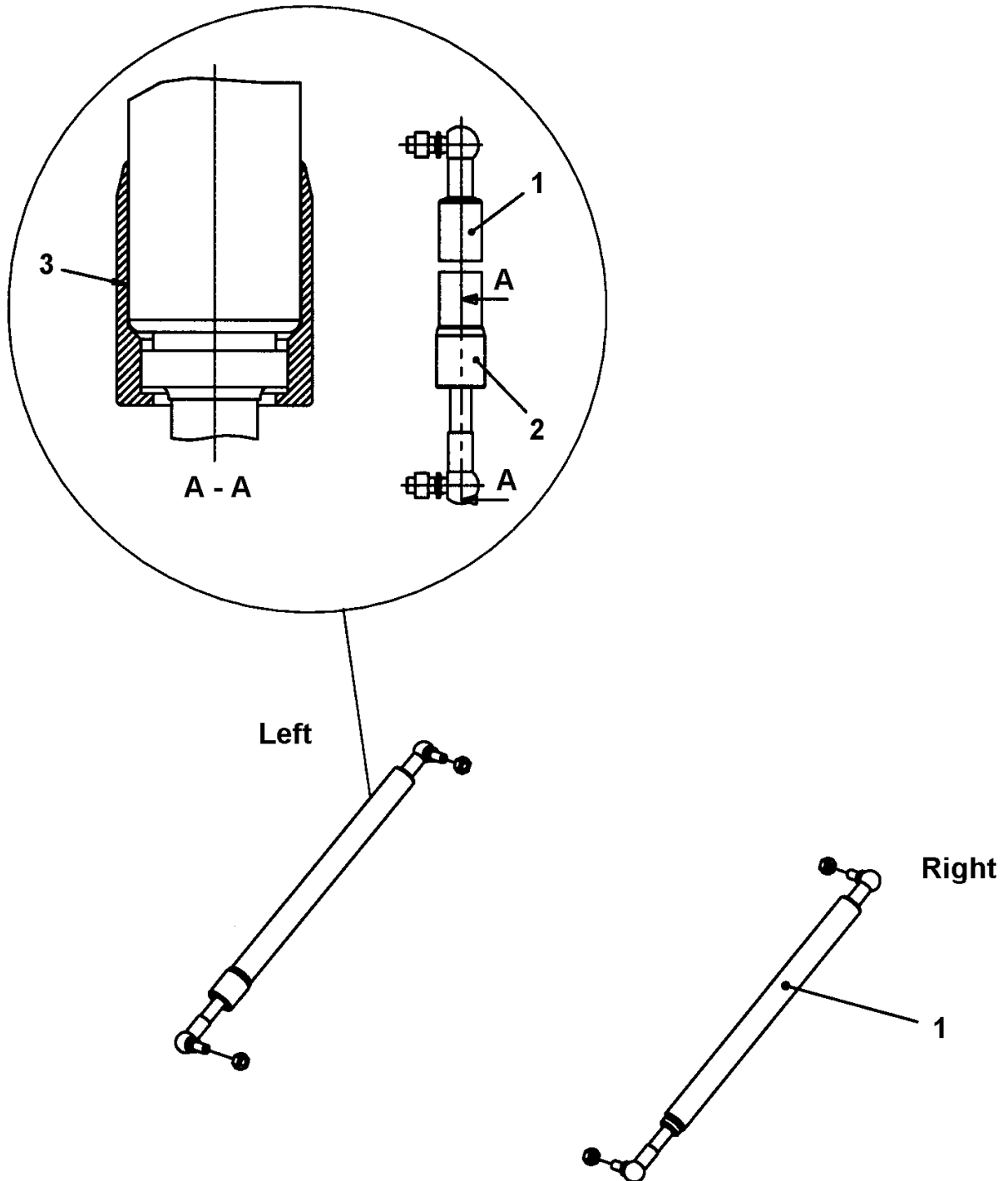
**Engine structure** Lock handle, assy





Item	Part No.	Name	Qty	L	SN INFO
1	4812112845	Holder	1		
2	4812112846	Holder	1		
3	4812114318	Shock absorber	2		
4	4812115010	Lock pin	2		
5	4700904703	Plain washer 13x24x4 mm	1		
6	4700904231	Washer, 13x24x2 mm 300 HV	1		
7	4700904640	Washer, 8.4x22x3 mm 300HV	4		
8	4700500022	Screw	4		
9	4700570005	Hexagon nut	2		
10	4700570007	Nut	2		
11	4700904108	Cup square neck bolt	1		
12	4812121286	Grab handle	1		
13	4700615050	Washer	1		
14	4700586003	Lock nut M8	1		

**Engine structure** Gas spring module



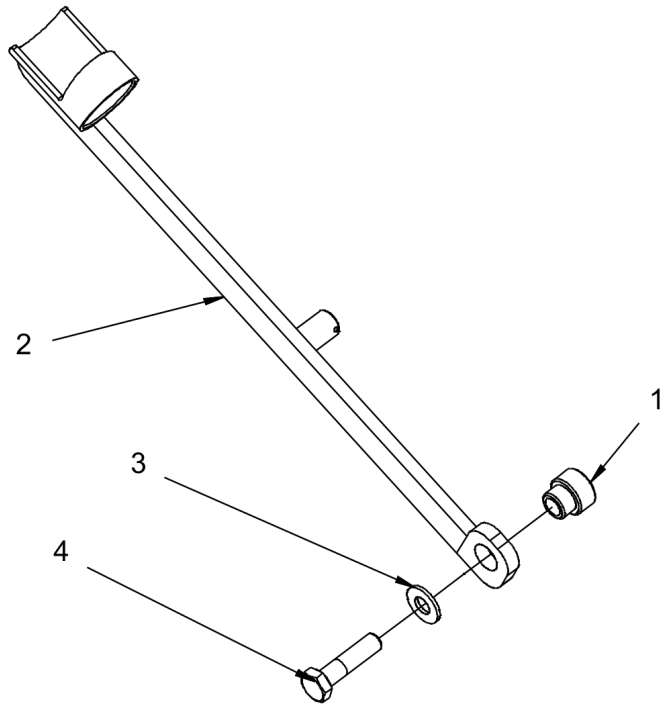
Item	Part No.	Name	Qty	L	SN INFO
1	4812112405	Gas spring	2		
2	4700382383	Gas spring protection	1	A	
3	-	Loctite 638	N		

Comments for Page: Gas spring module

(L)OCAL REMARKS

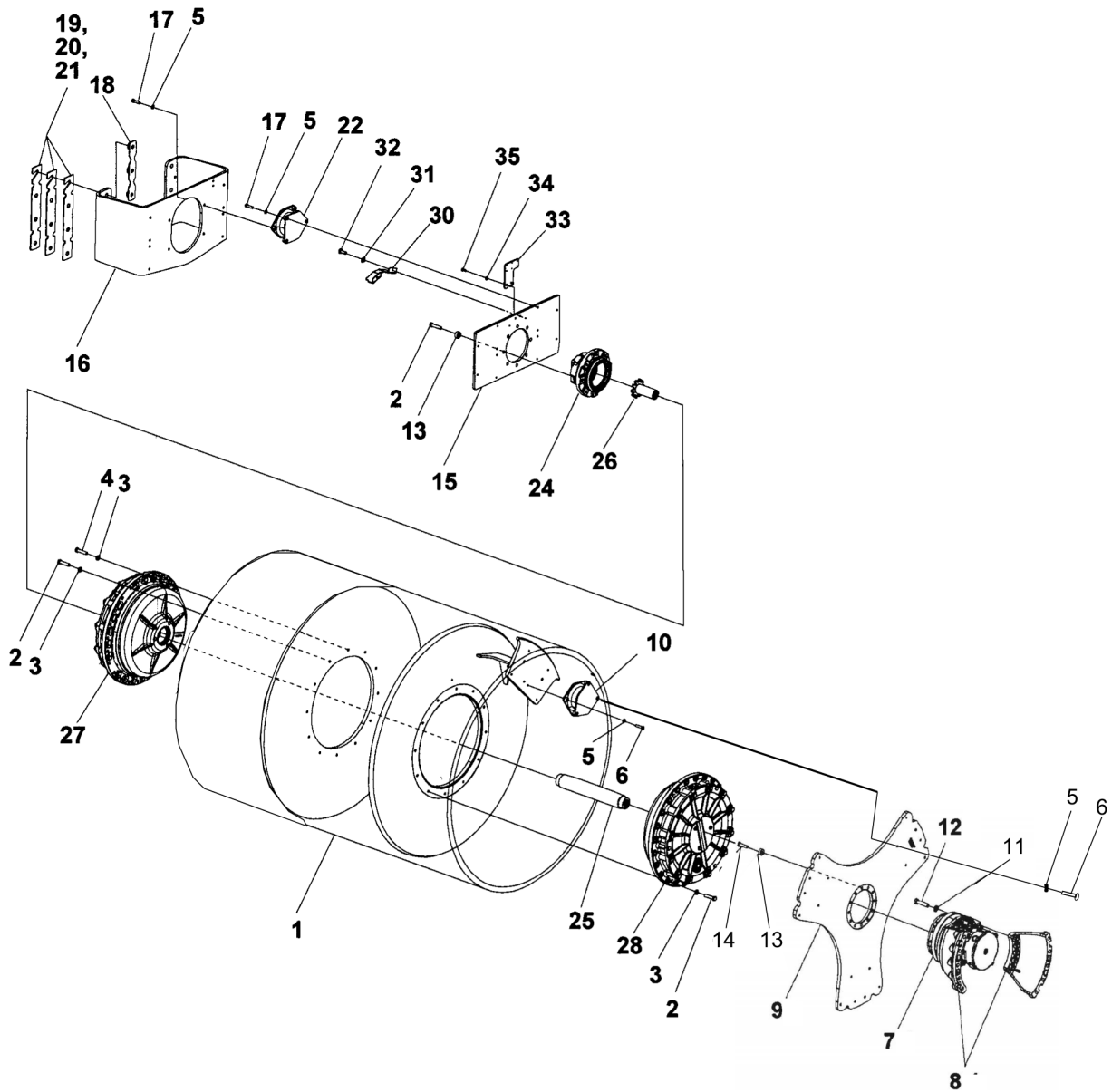
A | en\_US | Only on left side.

**Engine structure** Safety link module



Item	Part No.	Name	Qty	L	SN INFO
1	4812112952	Spacer	1		
2	4812112736	Safety link	1		
3	4700904230	Steel plain washer	1		
4	4700500031	Screw M10x40	1		

**Drum** Drum, cpl



Refer to Parts Online for the most up to date information. The printed information might be outdated.

Wed Nov 21 11:45:08 UTC 2018

Item	Part No.	Name	Qty	L	SN INFO
1	4812113213	Drum	1	C	
1	4812113223	Drum	1		
2	4700500082	Screw M16x70 8.8	23		
3	4700904232	Steel plain washer	24		
4	4700384121	Air breather screw	1		
5	4700904231	Washer, 13x24x2 mm 300 HV	50		
6	4812110644	Hexagon screw w Tuflok M12x50 10.9 GEOMET	36		
7	4812112198	Hydraulic motor	1		
8	4812113283	Bracket	1		
9	4812113075	Driving disc	1		
10	4812128927	Shock absorber	6		
11	4700904260	Washer	10		
12	4812116183	Hexagon head screw	10		
13	4700384114	Spacer	12		
14	4700947698	Hex. head screw	12		
15	4812113148	Bracket	1		
16	4812113853	Bracket	1		
17	4812110642	Hexagon screw w Tuflok M12x45 10.9 GEOMET	24		
18	4812114340	Nut-plate	2		
19	4812114344	Shim t=1mm	N		
20	4812114345	Shim t=3mm	N		
21	4812114346	Shim t=5mm	N		
22	4812113258	Shock absorber	4		
24	-	Vibration motor adapter	1		
25	4812112465	Drive shaft	1	D	
25	4700349682	Drive shaft	1		
26	-	Tooth wheel module	1		
27	4812158091	Drum cartridge, vibration side (D version)	1		
27	4812158096	Drum cartridge with shaft nut, vibration side (D version)	1		
28	4812158086	Drum cartridge, drive side (D version)	1		
30	4812116029	Protective casing	1	I	
31	4700904556	Steel plain washer 8,4x16x3,0	2	I	
32	4700500053	Screw, M8x20 mm 8.8 A2K	2	I	
33	4812116043	Plate	1	J	
34	4700904231	Washer, 13x24x2 mm 300 HV	2	J	
35	4700500051	Hex. screw	2	J	

Refer to Parts Online for the most up to date information. The printed information might be outdated.

Wed Nov 21 11:45:08 UTC 2018

Comments for Page: Drum, cpl

(L)OCAL REMARKS

C | en\_US | Anti-spin system, option.

D | en\_US | Compaction data high, option.

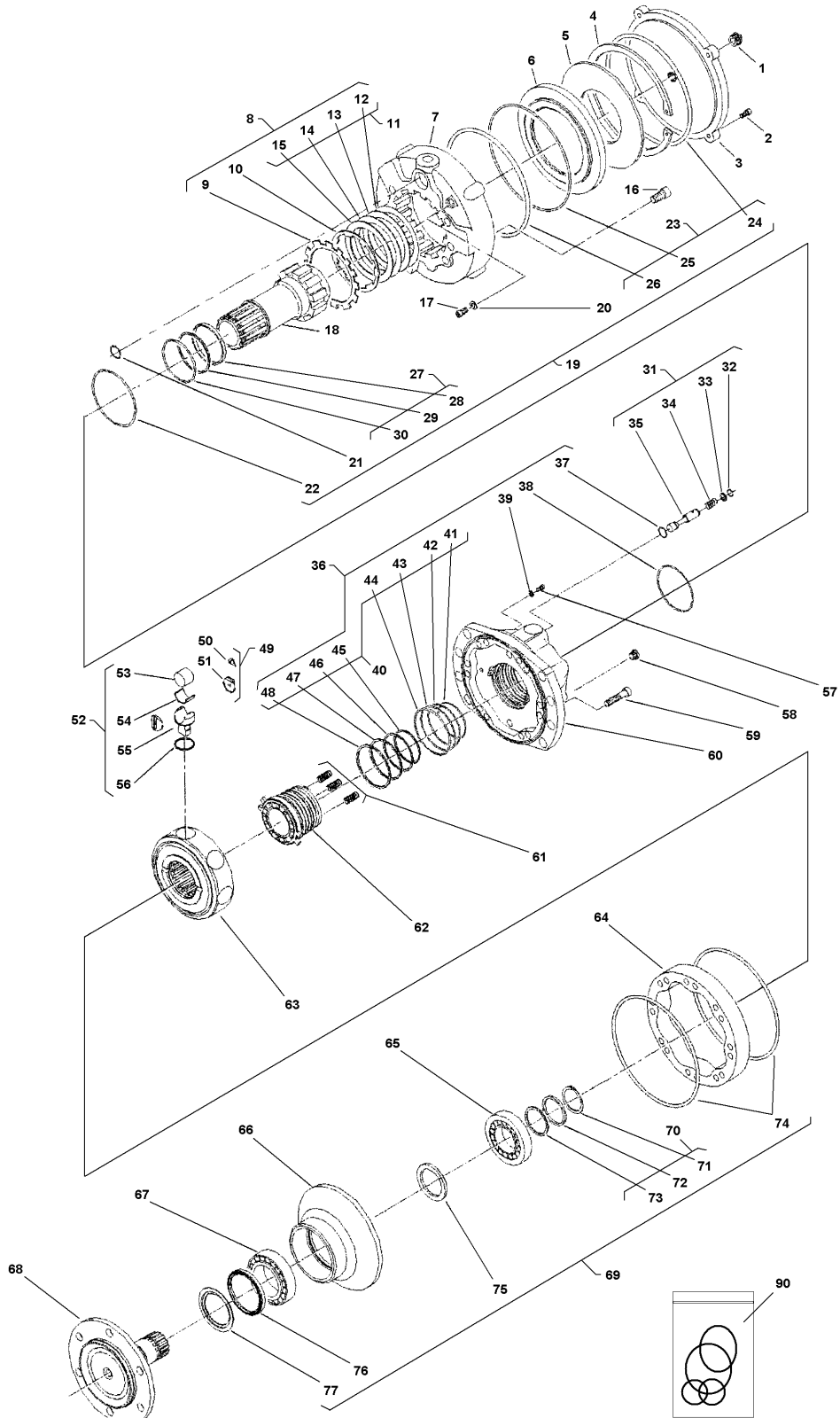
I | en\_US | Used with frequency sensor, option.

J | en\_US | Used with compaction meter, option.



This page intentionally left blank

**Drum** 4812112198 Hydraulic motor

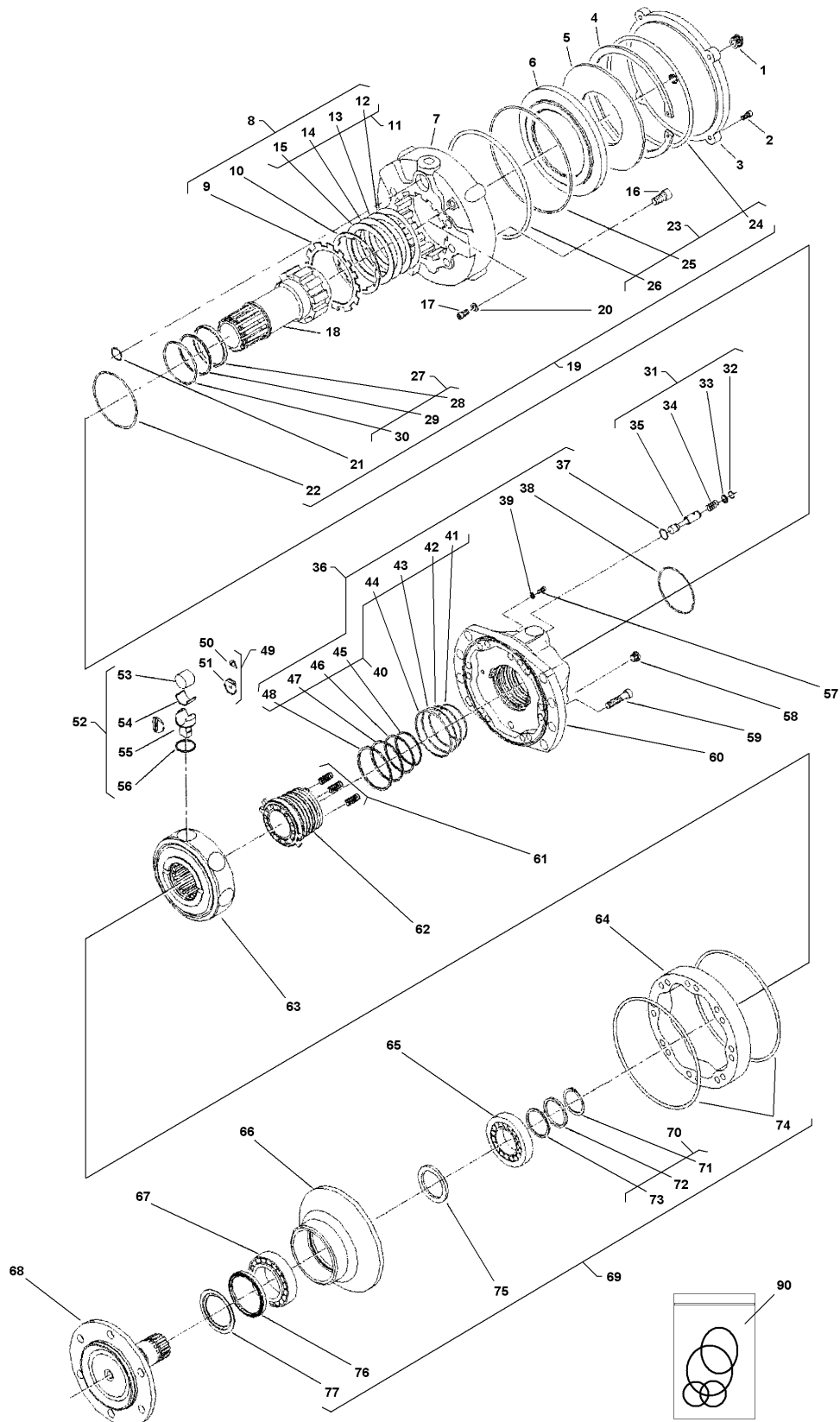


Refer to Parts Online for the most up to date information. The printed information might be outdated.  
 Wed Nov 21 11:45:09 UTC 2018

Item	Part No.	Name	Qty	L	SN INFO
-	4812112198	Hydraulic motor	1		
1	--	Valve poppet	1		
2	--	Screw	4		
3	--	Blanking plate	1		
4	--	Snap ring	1		
5	--	Spring washer	1		
6	--	Piston (brake)	1		
7	--	Brake housing	1		
8	4812158391	Brake disc & shim kit	1		
9	---	Brake disc	32		
10	---	Brake disc	33		
11	---	Shim assy	1		
12	----	Shim	1		
13	----	Shim	1		
14	----	Shim	1		
15	----	Shim	2		
16	--	Screw	10		
17	--	Screw	2		
18	--	Brake shaft	1		
19	4812158390	Multi disc brake seal kit	1	A	
20	---	Seal	2	A	
21	---	Seal	1	A	
22	---	Seal	1	A	
23	---	Seal kit	1	A	
24	----	Seal	1	A	
25	----	Seal	1	A	
26	----	Seal	1	A	
27	---	Shaft seal kit	1	A	
28	----	Brake bushing	1	A	
29	----	Seal	1	A	
30	----	Seal Support	1	A	
31	4812158393	Spool valve kit	1		
32	---	Snap ring	1		
33	---	Washer	1		
34	---	Spring	1		
35	---	Spool	1		
36	4812158392	Motor valve seal kit	1		
37	---	Seal	2	A	

Refer to Parts Online for the most up to date information. The printed information might be outdated.

Wed Nov 21 11:45:09 UTC 2018

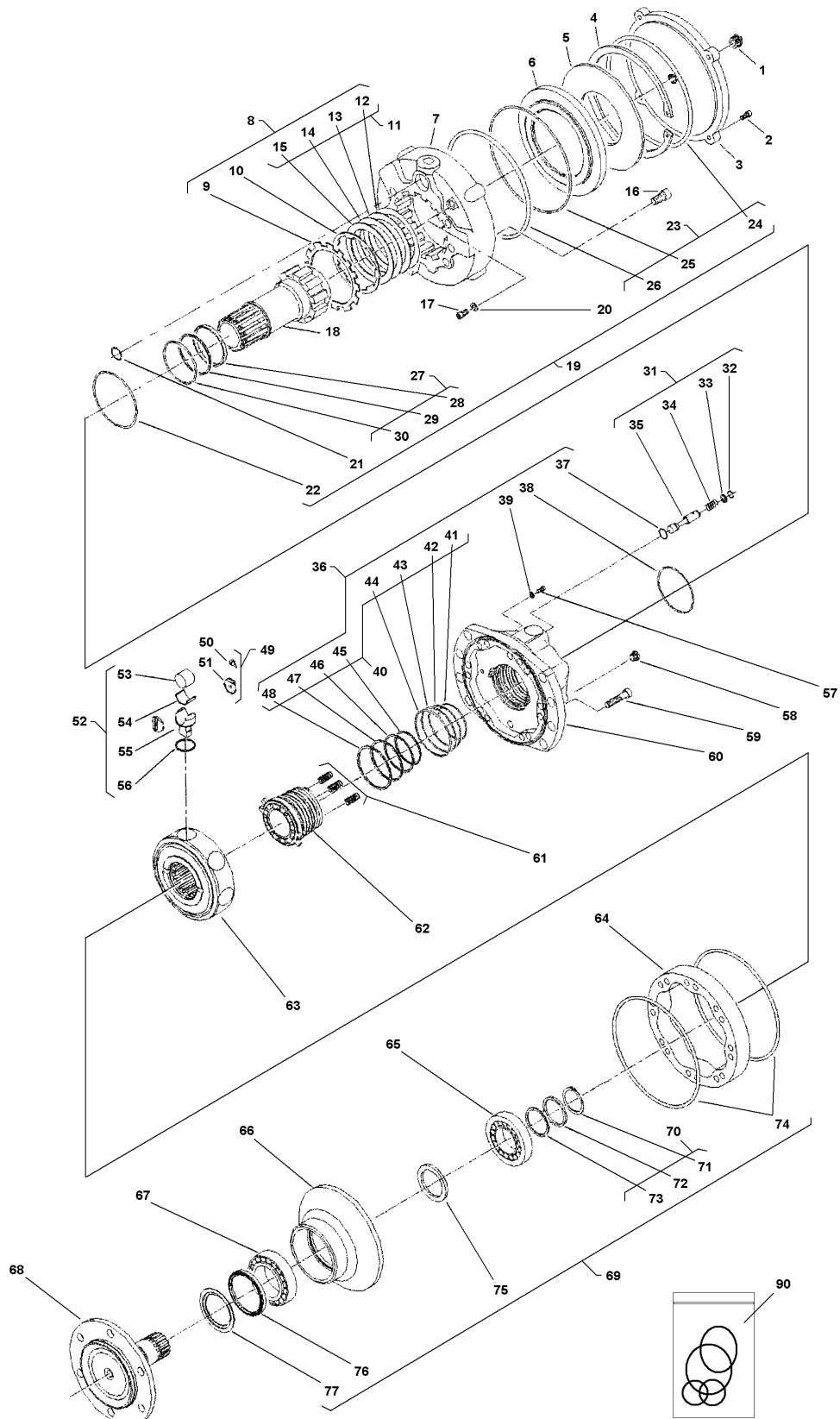


Refer to Parts Online for the most up to date information. The printed information might be outdated.  
Wed Nov 21 11:45:09 UTC 2018

Item	Part No.	Name	Qty	L	SN INFO
38	---	Seal	1	A	
39	---	Seal	2	A	
40	---	Seal kit	1	A	
41	----	Seal	1	A	
42	----	Seal	1	A	
43	----	Seal	1	A	
44	----	Seal	1	A	
45	----	Seal Support	1	A	
46	----	Seal Support	1	A	
47	----	Seal Support	1	A	
48	----	Seal Support	1	A	
49	--	Cylinder block kit	1		
50	---	Clip	10		
51	---	Half moon disc	20		
52	--	Piston kit	10		
53	---	Roller	1		
54	---	Piston bushing	1		
55	---	Piston	1		
56	---	Piston seal	1		
57	--	Screw	1		
58	--	Metallic plug	1		
59	--	Screw	16		
60	--	Cover plate	1		
61	--	Spring kit	1		
62	--	Control plate	1		
63	--	Cylinder block	1		
64	--	Cam	1		
65	4812158388	Roller bearing	1		
66	4812104465	Bearing support	1		
67	4812158387	Roller bearing	1		
68	4812104466	Motor shaft	1		
69	4812158389	Seal kit, bearing	1		
70	---	Roller bearing kit	1		
71	----	Snap ring	1		
72	----	Guide Ring	1		
73	----	Shim	1		
74	---	Seal	2	A	
75	---	Seal	1	A	

Refer to Parts Online for the most up to date information. The printed information might be outdated.

Wed Nov 21 11:45:10 UTC 2018



Refer to Parts Online for the most up to date information. The printed information might be outdated.  
 Wed Nov 21 11:45:10 UTC 2018

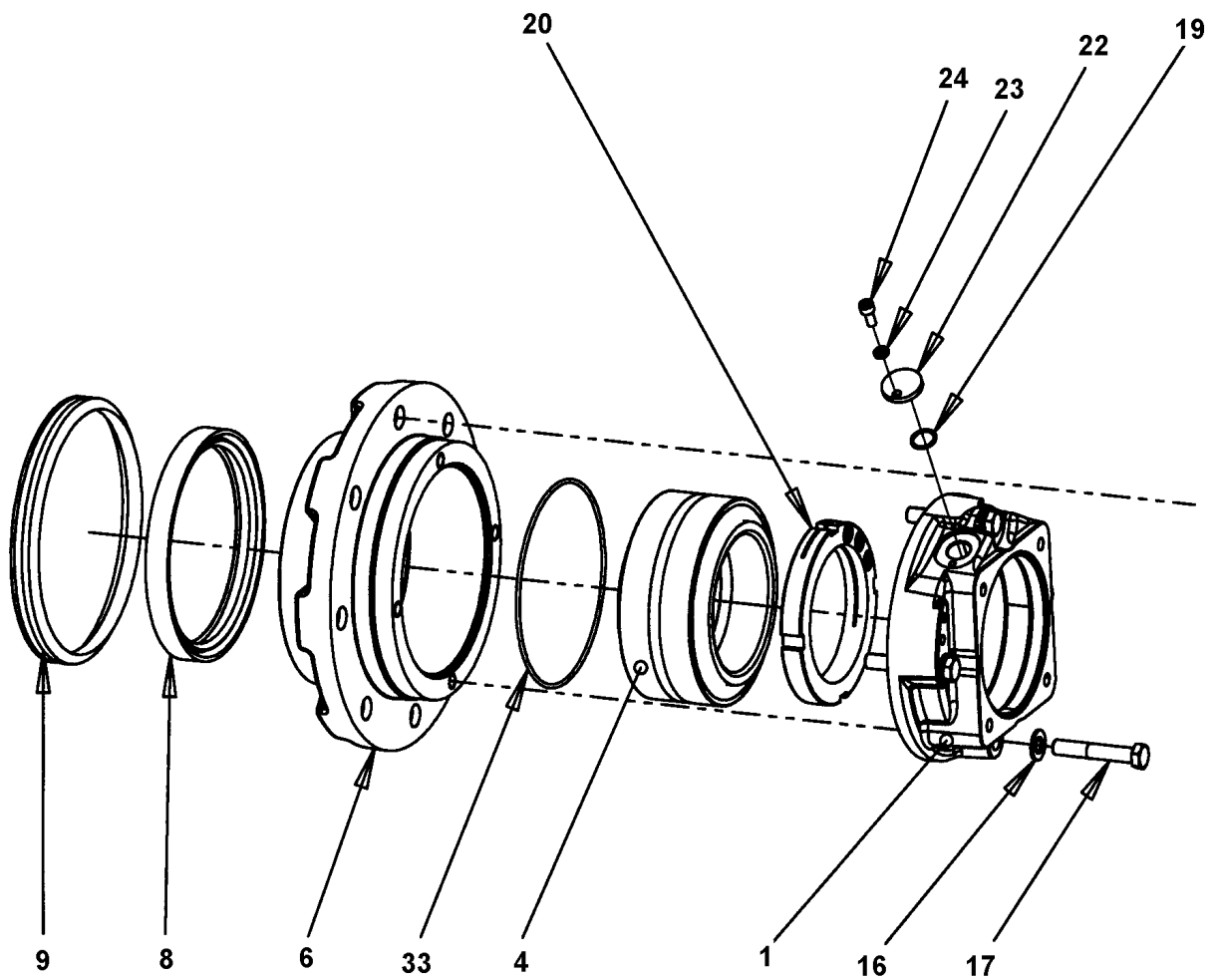
Item	Part No.	Name	Qty	L	SN INFO
76	---	Seal	1	A	
77	---	Deflector	1	A	
90	4812158394	Seal kit, cpl	1		

Comments for Page: 4812112198 Hydraulic motor

(L)OCAL REMARKS

A | en\_US | Included in seal kit item 90

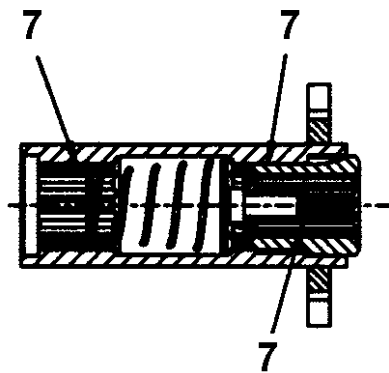
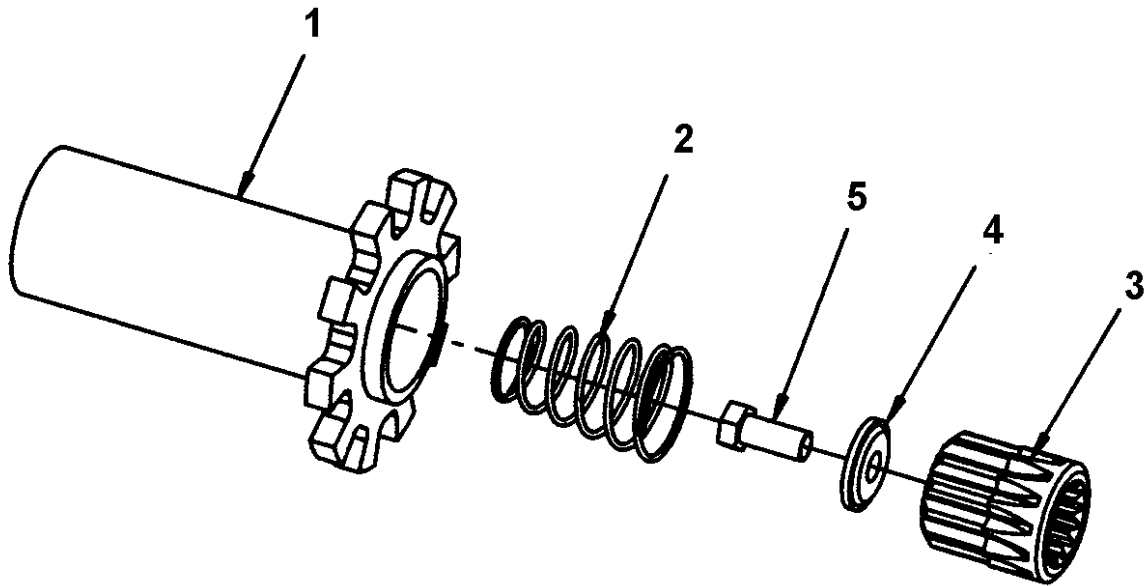
**Drum** Vibration motor adapter





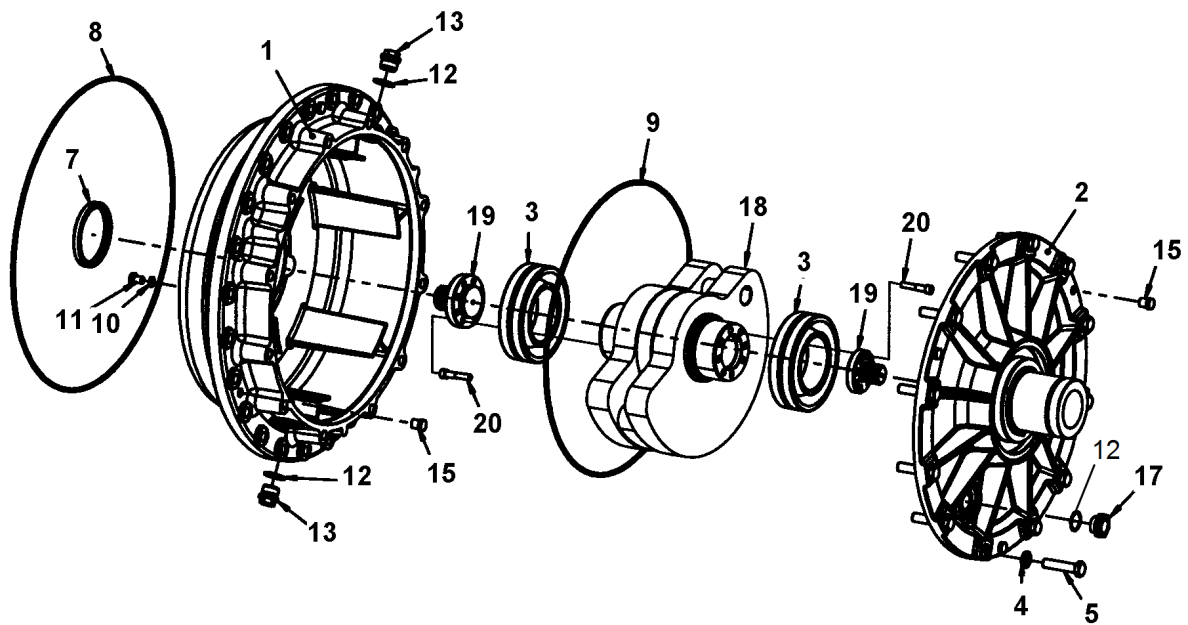
Item	Part No.	Name	Qty	L	SN INFO
1	4812116023	Adapter	1		
4	4700116041	Taper roller bearing	1		
6	4700343318	Bearing housing	1		
8	4700167023	Seal ring	1		
9	4700929447	V-ring	1		
16	4700904231	Washer, 13x24x2 mm 300 HV	4		
17	4700500133	Screw	4		
19	4812113903	O-ring	1		
20	4812112413	Shaft nut	1		
22	4812113476	Plug	1		
23	4700904228	Washer 6,4x12x1,5	1		
24	4700903795	Hexagon socket head cap screw	1		
33	4700160105	O-ring 70	1		

**Drum** Tooth wheel module



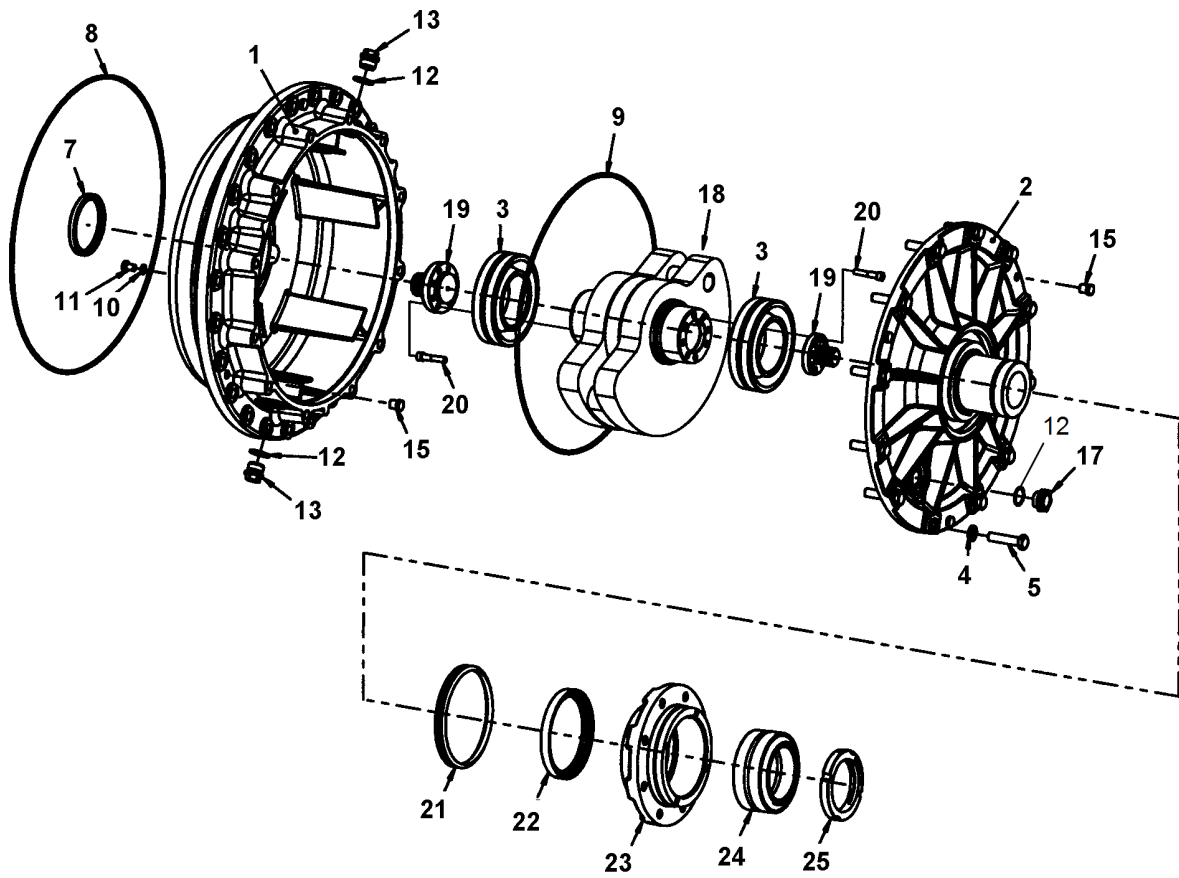
Item	Part No.	Name	Qty	L	SN INFO
1	4812114223	Wheel	1		
2	4700349715	Spring	1		
3	4700340863	Splined sleeve	1		
4	4812113832	Washer	1		
5	4700502053	Screw	1		
7	4812030096	Dynapac Roller Grease	N		

**Drum** 4812158091 Drum cartridge, vibration side (D version)



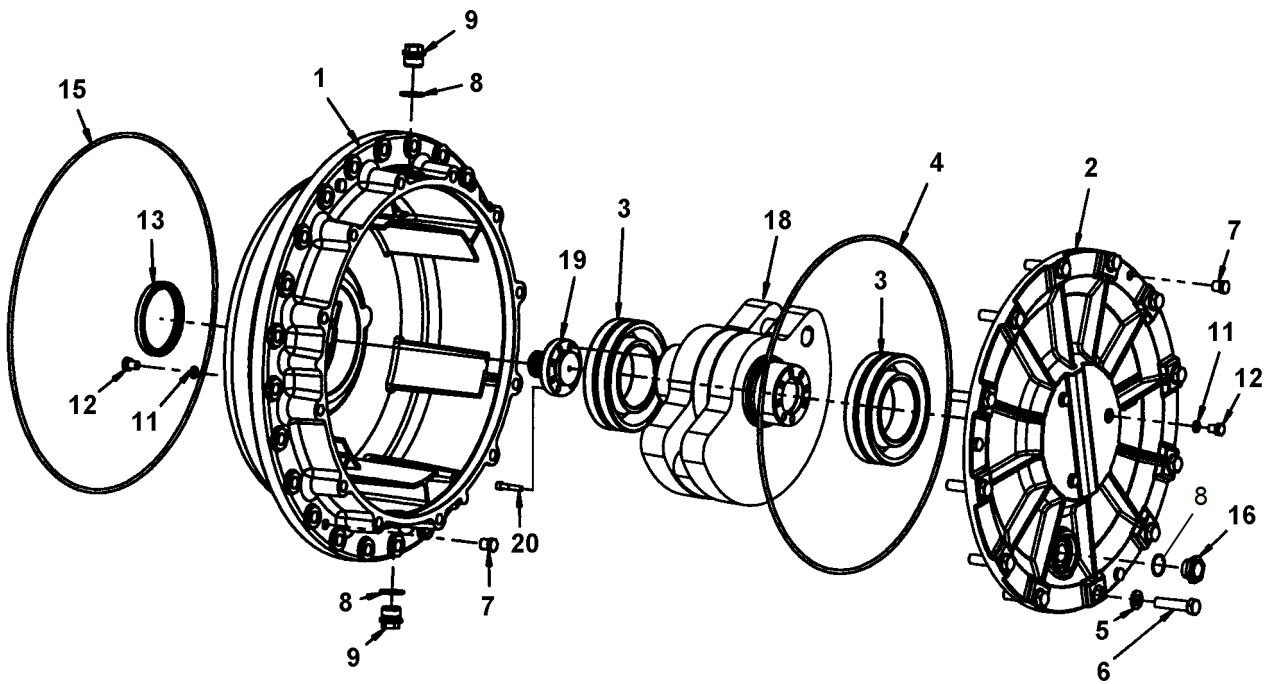
Item	Part No.	Name	Qty	L	SN INFO
1	4812112784	Housing	1		
2	4812112455	Bearing housing	1		
3	4700390896	Spherical roller bearing	2		
4	4700904232	Steel plain washer	12		
5	4700500082	Screw M16x70 8.8	12		
7	4812121209	Seal ring	1		
8	4700900776	O-ring	1		
9	4700900776	O-ring	1		
10	4700162027	Sealing	3		
11	4700500163	Hex. screw	3		
12	4700162017	Seal ring	3		
13	4700343744	Magnetic plug	1		
15	4700900775	Plug	6		
17	4812118814	Oil level glass	1		
18	4812112747	Eccentric shaft	1		
19	4700380018	Splined shaft	2		
20	4700791156	Screw M10-1,5x55 12,9	16		

**Drum** 4812158096 Drum cartridge with shaft nut, vibration side (D version)



Item	Part No.	Name	Qty	L	SN INFO
1	4812112784	Housing	1		
2	4812112455	Bearing housing	1		
3	4700390896	Spherical roller bearing	2		
4	4700904232	Steel plain washer	12		
5	4700500082	Screw M16x70 8.8	12		
7	4812121209	Seal ring	1		
8	4700900776	O-ring	1		
9	4700900776	O-ring	1		
10	4700162027	Sealing	3		
11	4700500163	Hex. screw	3		
12	4700162017	Seal ring	3		
13	4700343744	Magnetic plug	1		
15	4700900775	Plug	6		
17	4812118814	Oil level glass	1		
18	4812112747	Eccentric shaft	1		
19	4700380018	Splined shaft	2		
20	4700791156	Screw M10-1,5x55 12,9	16		
21	4700929447	V-ring	1		
22	4700167023	Seal ring	1		
23	4700343318	Bearing housing	1		
24	4700116041	Taper roller bearing	1		
25	4812112413	Shaft nut	1		

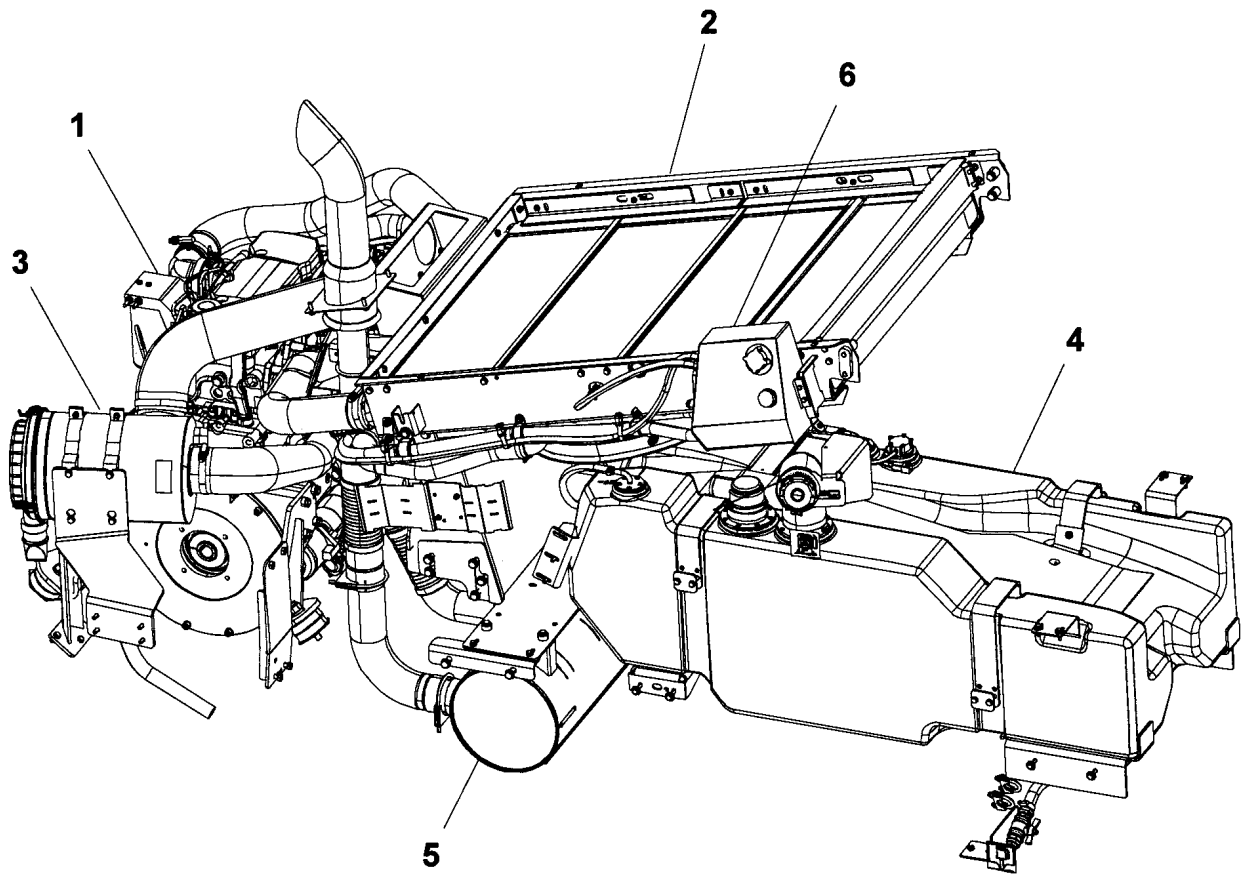
**Drum** 4812158086 Drum cartridge, drive side (D version)





Item	Part No.	Name	Qty	L	SN INFO
1	4812112784	Housing	1		
2	4812111122	Bearing housing	1		
3	4700390896	Spherical roller bearing	2		
4	4700900776	O-ring	1		
5	4700904232	Steel plain washer	12		
6	4700500082	Screw M16x70 8.8	12		
7	4700900775	Plug	6		
8	4700162017	Seal ring	3		
9	4700343744	Magnetic plug	2		
11	4700162027	Sealing	6		
12	4700500163	Hex. screw	6		
13	4812121209	Seal ring	1		
15	4700900776	O-ring	1		
16	4812118814	Oil level glass	1		
18	4812112747	Eccentric shaft	1		
19	4700380018	Splined shaft	1		
20	4700791156	Screw M10-1,5x55 12,9	8		

**Engine Engine**

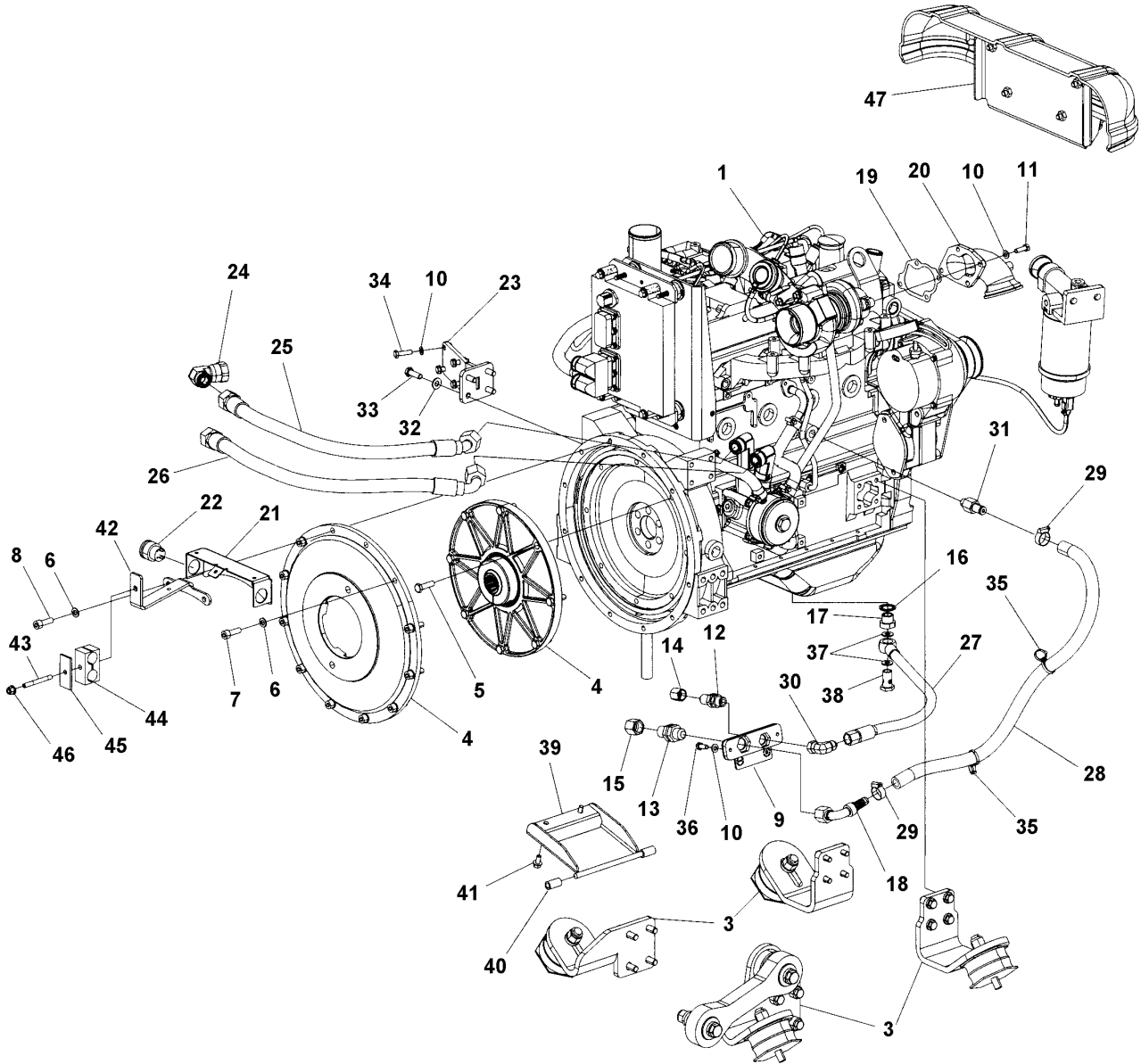


Refer to Parts Online for the most up to date information. The printed information might be outdated.

Wed Nov 21 11:45:12 UTC 2018

Item	Part No.	Name	Qty	L	SN INFO
1	-	Engine	1		
2	-	Cooling system	1		
3	-	Air cleaner	1		
4	-	Fuel system	1		
5	-	Exhaust System	1		
6	-	Expansion tank assembly	1		

Engine Engine



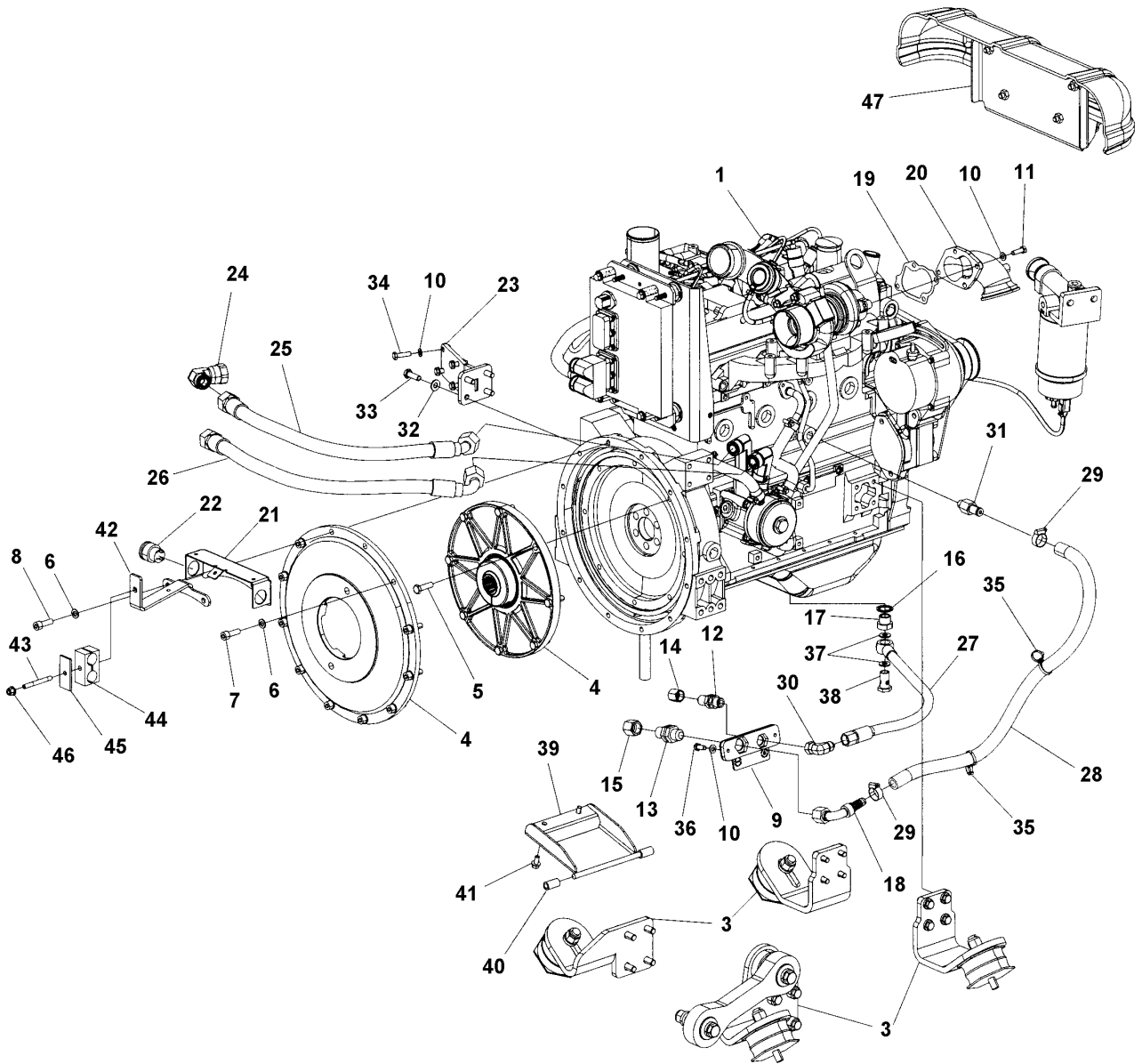
Refer to Parts Online for the most up to date information. The printed information might be outdated.

Wed Nov 21 11:45:12 UTC 2018

Item	Part No.	Name	Qty	L	SN INFO
1	-	Diesel engine	1		
3	-	Bracket module	1		
4	4812117174	Coupling	1		
5	4700500030	Hexagon head screw	8		
6	4700904637	Washer	12		
7	4700508029	Cylinder screw	10		
8	4700508053	Screw	2		
9	4812118823	Bracket	1		
10	4700904229	Washer, 8.4x 6x1.5 mm 300HV	10		
11	4700500021	Screw, M8x25 mm 8.8 A2K	4		
12	4700230515	Connector	1		
13	4700230516	Adapter	1		
14	4700330383	Cap JIC, steel	1		
15	4700230384	Cap	1		
16	4811000151	Washer sealing	1		
17	4700379480	Reducer	1		
18	4700792499	Hose connection	1		
19	4700395108	Gasket	1		
20	4700391962	Exhaust connection	1		
21	4812112355	Holder	1		
22	4700395816	Plug socket 24V	1		
23	4812117483	Bracket	1		
24	4700904584	Connector elbow 90 ORFS	1		
25	4812120054	Hydraulic hose	1		
26	4812120053	Hydraulic hose	1		
27	4700372587	Hydraulic hose	1		
28	4700205112	Coolant hose	1XL	A	
29	4700313004	Hose clamp 19-29mm	2		
30	4700334197	Connector elbow 90 JIC	1		
31	4700391303	Hose connection	1		
32	4700904230	Steel plain washer	4		
33	4700500029	Steel plain washer	4		
34	4700500022	Screw	4		
35	4700792686	Cable tie with holder	2		
36	4700500053	Screw, M8x20 mm 8.8 A2K	2		
37	4700330331	Washer 18,2x23,9x1,5	2		
38	4700904292	Hollow screw	1		
39	4812118488	Cover	1		

Refer to Parts Online for the most up to date information. The printed information might be outdated.

Wed Nov 21 11:45:12 UTC 2018



Refer to Parts Online for the most up to date information. The printed information might be outdated.

Wed Nov 21 11:45:12 UTC 2018

Item	Part No.	Name	Qty	L	SN INFO
40	4700246069	Rubber hose	2XL	B	
41	4700901832	Screw, M08x16, 8.8	2		
42	4812120090	Bracket	1		
43	4700532032	Stud	1		
44	4700287295	Clamp	1		
45	4700287294	Cover plate	1		
46	4700902286	Lock nut, M8x1.25 mm A2K	1		
47	-	Belt guard module	1		

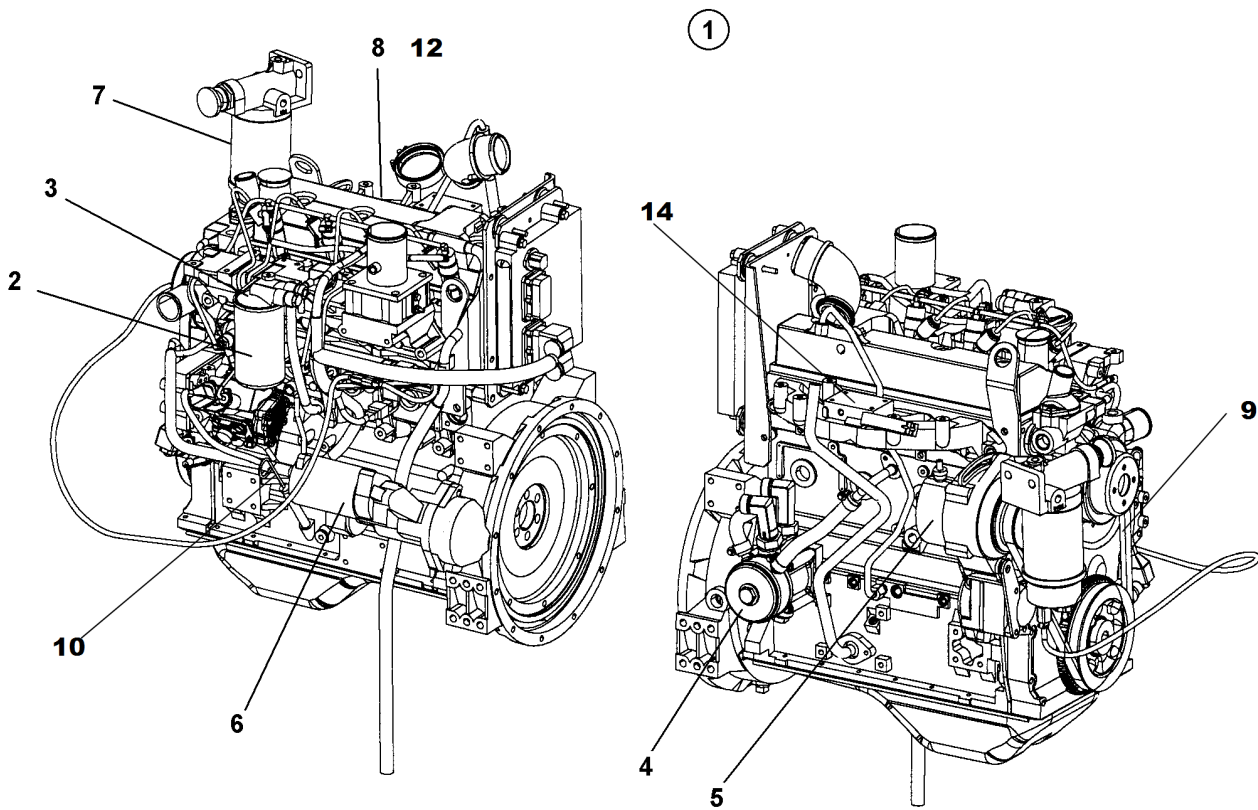
Comments for Page: Engine

(L)OCAL REMARKS

A | en\_US | L = 0.8m

B | en\_US | L = 0.03m

**Engine** Diesel engine



Refer to Parts Online for the most up to date information. The printed information might be outdated.

Wed Nov 21 11:45:13 UTC 2018



Item	Part No.	Name	Qty	L	SN INFO
1	4812121128	Diesel engine Cummins QSB3.3 82kW - 3A	1	A	
1	4812121129	Diesel engine Cummins QSB3.3 82kW - 3A	1	B	
2	4700950302	Fuel filter element	1		
3	4812156768	Fuel filter head	1		
4	4700939068	Oil filter	1		
5	4700950640	Alternator	1		
6	4700950636	Starter	1		
7	4812155851	Pre-fuel, cpl	1		
7.1	4700950301	Pre-fuel filter element	1		
7.2	4812160261	Separator bowl w. sensor	1		
8	4700939070	Gasket, valve cover	1		
9	4700950315	V-belt	1		
10	4812159852	Oil dipstick	1		
12	4812159853	Valve cover sealing	1		
13	4812157954	Water pump	1		
14	4812159599	Turbo charger	1		

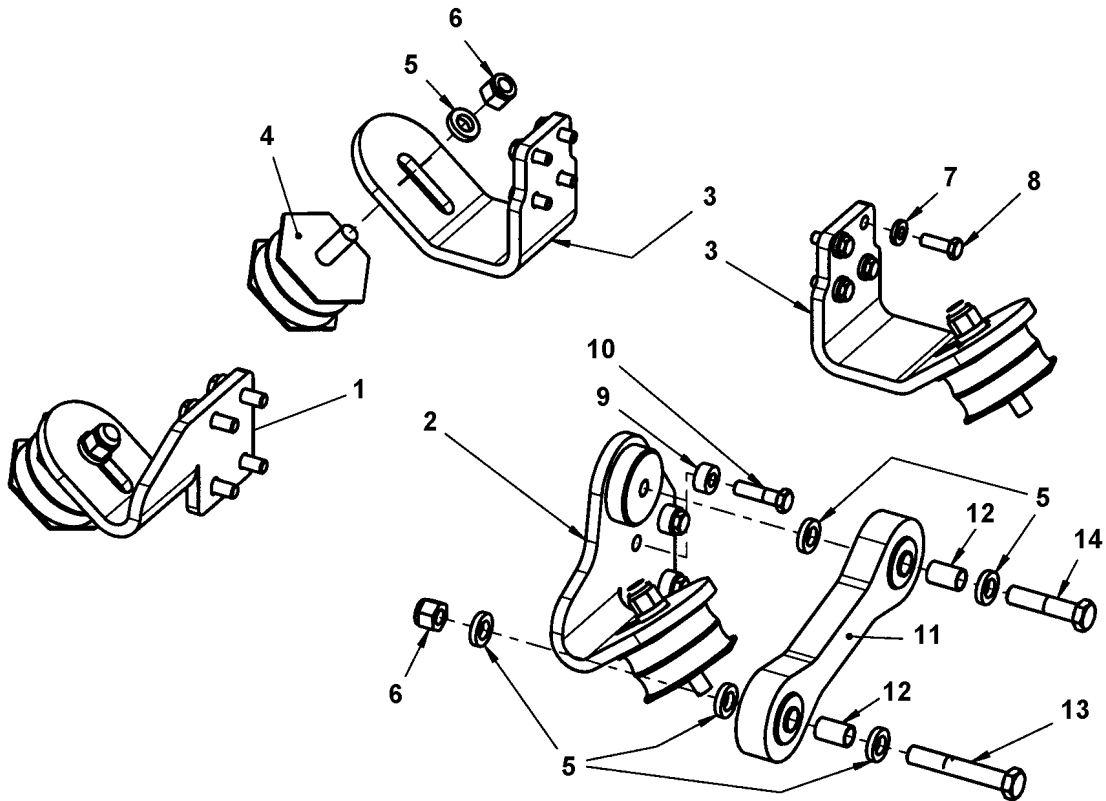
Comments for Page: Diesel engine

(L)OCAL REMARKS

A | en\_US | Non certified.

B | en\_US | EU flex.

**Engine** Bracket module

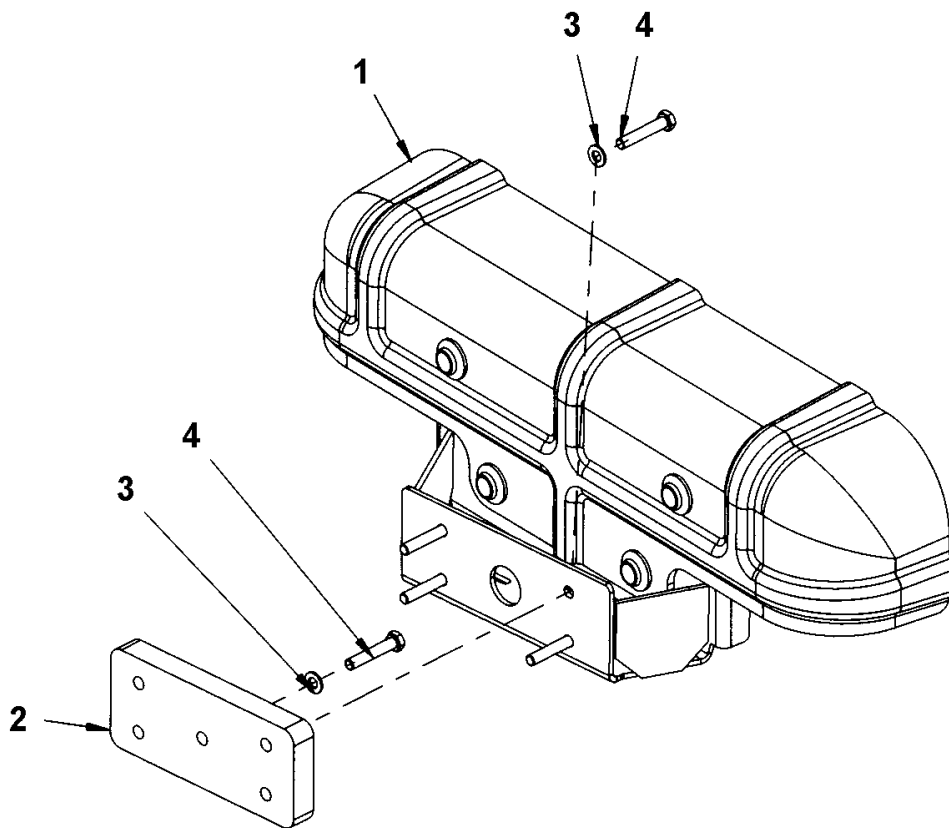


Refer to Parts Online for the most up to date information. The printed information might be outdated.

Wed Nov 21 11:45:13 UTC 2018

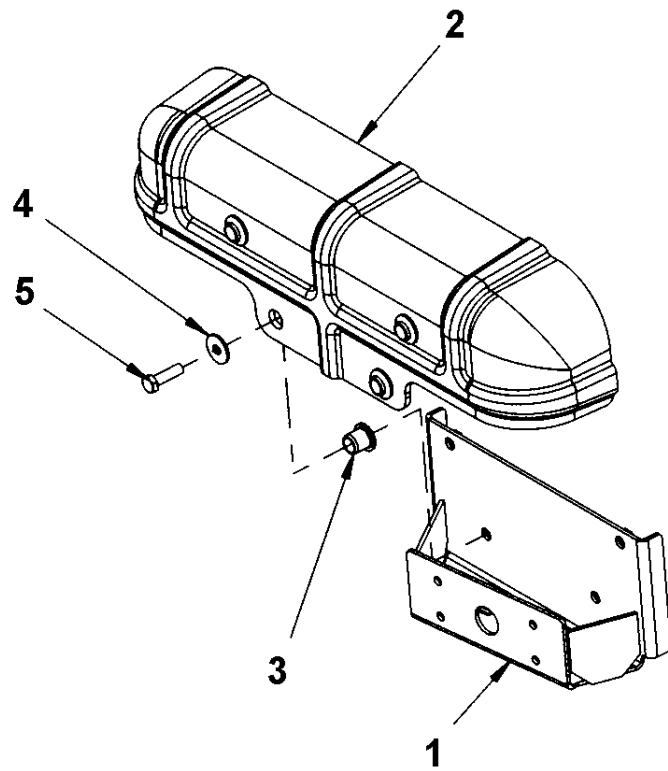
Item	Part No.	Name	Qty	L	SN INFO
1	4812115737	Bracket	1		
2	4812118554	Bracket	1		
3	4812116646	Bracket	2		
4	4812114396	Shock absorber	4		
5	4700904558	Washer, 17x30x6 mm 300 HV	9		
6	4700586021	Lock nut	5		
7	4700904557	Washer, 10.5x22x4 mm 300 HV	8		
8	4700500029	Steel plain washer	8		
9	4700359989	Spacer sleeve	8		
10	4700500056	Screw, M12x45 mm 8.8 A3K	8		
11	4812118444	Strut	1		
12	4812118432	Spacer sleeve	2		
13	4700500107	Screw M16x100 8.8	1		
14	4700500082	Screw M16x70 8.8	1		

**Engine** Belt guard module



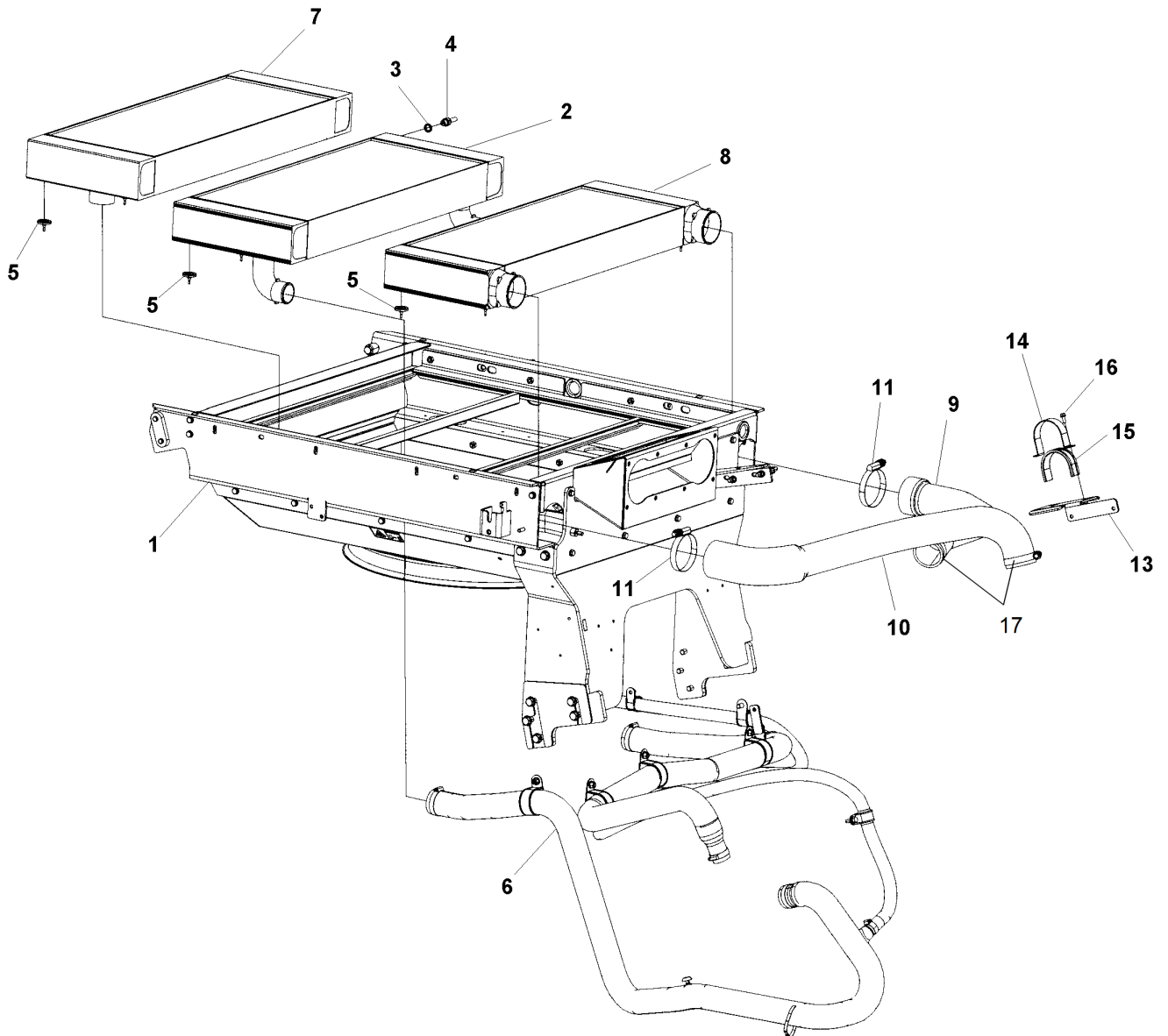
Item	Part No.	Name	Qty	L	SN INFO
1	-	Belt guard assy	1		
2	4812117097	Spacer	1		
3	4700904229	Washer, 8.4x 6x1.5 mm 300HV	5		
4	4700500024	Screw M8x45	5		

**Engine** Belt guard assy



Item	Part No.	Name	Qty	L	SN INFO
1	4812117096	Bracket	1		
2	4812117095	Belt guard	1		
3	4812118203	Shock absorber	4		
4	4700928441	Washer, 21 x 45 mm	4		
5	4700500030	Hexagon head screw	4		

**Cooling system** Cooling system



Refer to Parts Online for the most up to date information. The printed information might be outdated.

Wed Nov 21 11:45:14 UTC 2018



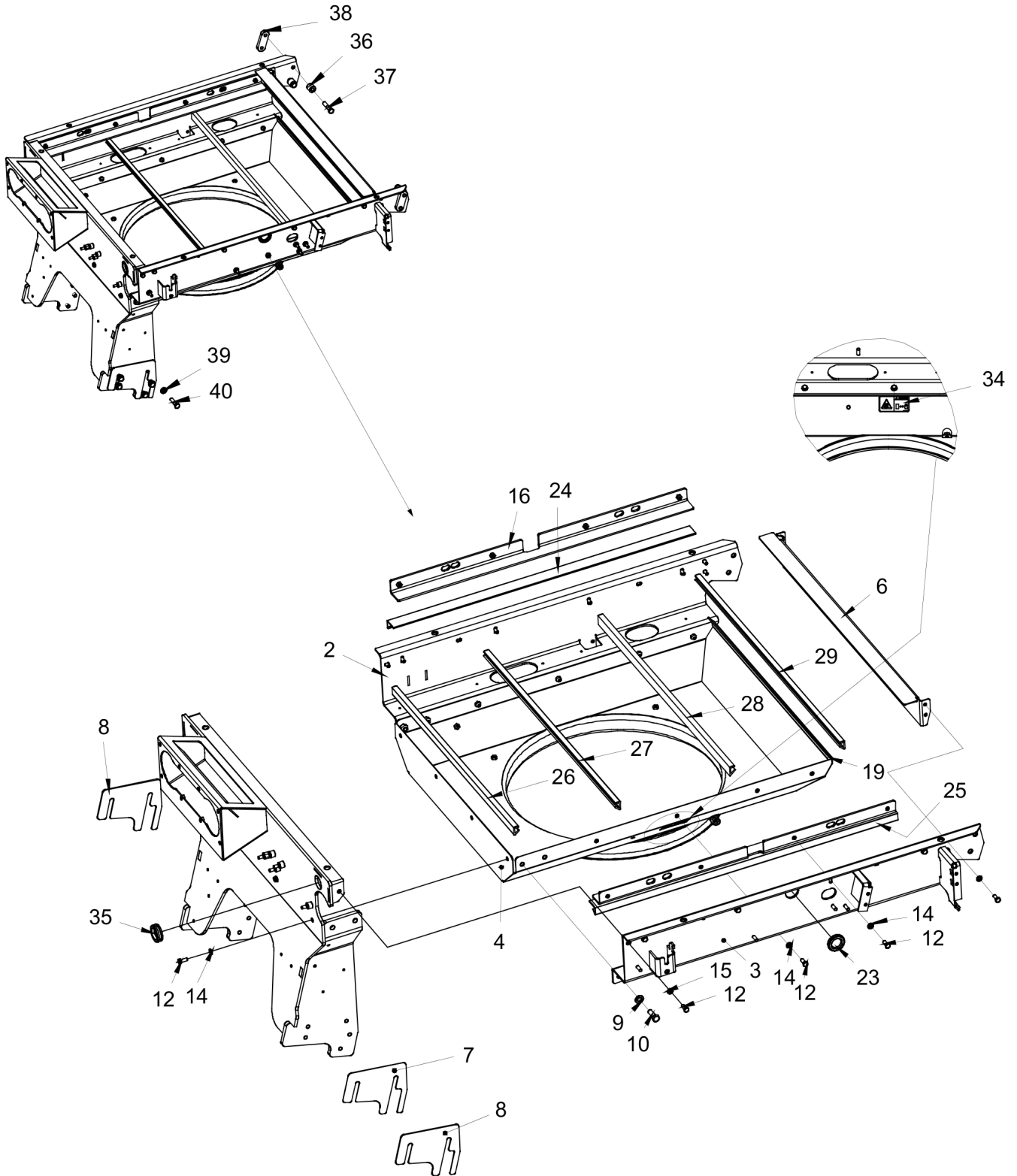
Item	Part No.	Name	Qty	L	SN INFO
1	-	Cooler stand	1		
2	4812121925	Water cooler	1		
3	4700162004	Sealing	1		
4	4700792322	Hose connection	1		
5	4812112097	Shock absorber	12		
6	-	Hose assy kit	1		
7	4812121866	Hydraulic oil cooler	1		
8	4812121815	Charge air cooler	1		
9	4812117941	Charge air hose	1		
10	4812119267	Charge air hose	1		
11	4812126568	Clamp	2		
13	4812118273	Bracket	1		
14	4812118127	Clamp	1		
15	4812117602	Strip	1XL	A	
16	4700792119	Screw, M6x16 mm 8.8 A2K	1		
17	4812126236	Clamp	2		

Comments for Page: Cooling system

(L)OCAL REMARKS

A | en\_US | L = 0.018m

Cooling system Cooler stand

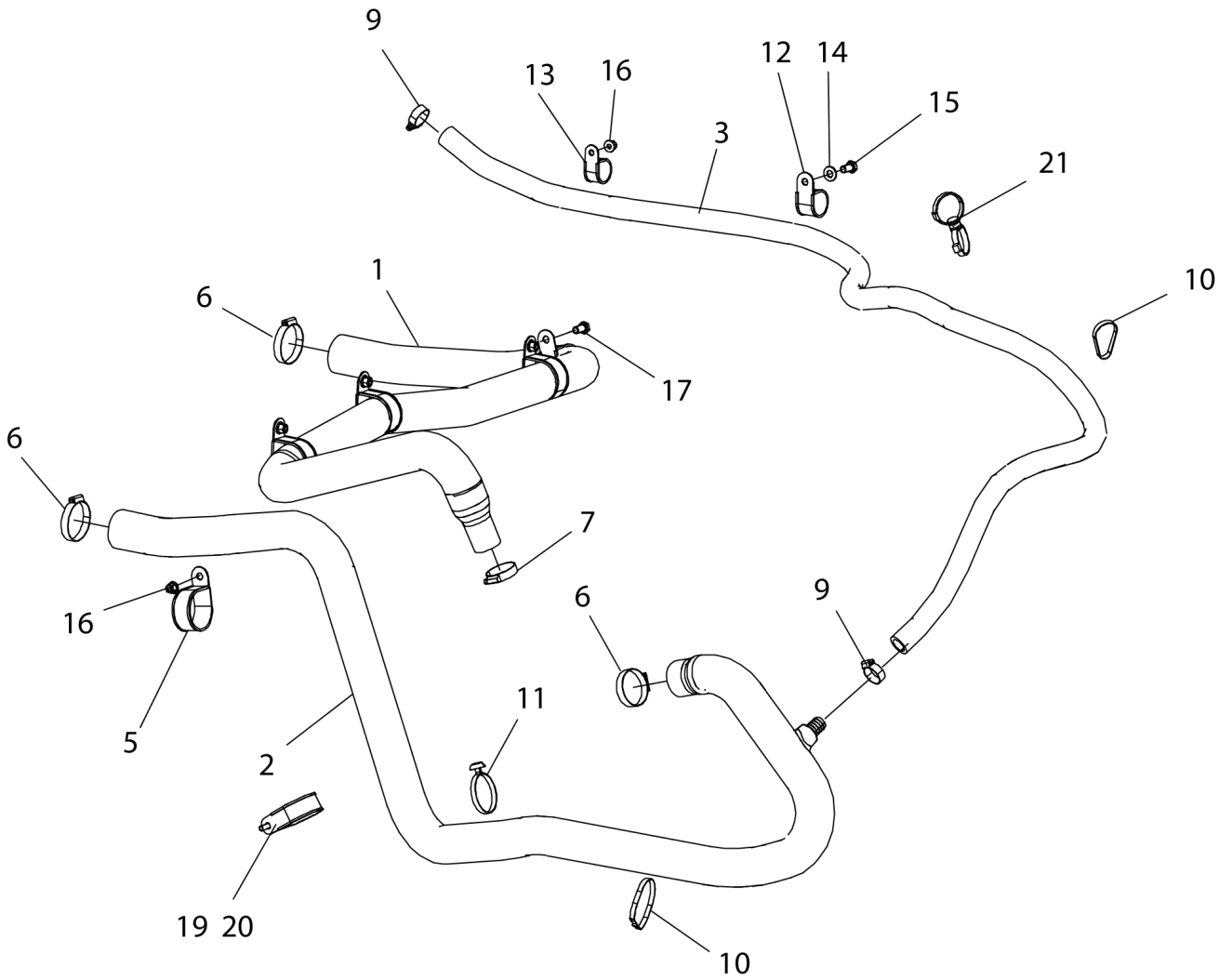


Refer to Parts Online for the most up to date information. The printed information might be outdated.

Wed Nov 21 11:45:15 UTC 2018

Item	Part No.	Name	Qty	L	SN INFO
1	4812118494	Cooler stand	1		
2	4812115668	Bracket	1		
3	4812115669	Bracket	1		
4	4812113629	Fan casing	1		
6	4812111264	Cover plate	1		
7	4812113878	Shim	N		
8	4812113879	Shim	N		
9	4700904231	Washer, 13x24x2 mm 300 HV	4		
10	4700500037	Hex. screw	4		
12	4700500053	Screw, M8x20 mm 8.8 A2K	26		
14	4700904556	Steel plain washer 8,4x16x3,0	24		
15	4700904640	Washer, 8.4x22x3 mm 300HV	2		
16	4812115663	Bracket	2		
19	4700791460	Edge strip	0.77		
23	4812114465	Grommet with membrane	1		
24	4812113708	Rubber strip	1.24		
25	4812113708	Rubber strip	1.24		
26	4700391299	Rubber strip	0.79		
27	4700391299	Rubber strip	0.85		
28	4700391299	Rubber strip	0.85		
29	4700391299	Rubber strip	0.85		
34	4700903423	Safety label, Rotating engine components	2		
35	4812119127	Grommet with membrane	1		
36	4700383024	Spacer sleeve	4		
37	4700925519	Screw M12x55 10.9 GEOMET	4		
38	4812110930	Nut-plate	2		
39	4700904231	Washer, 13x24x2 mm 300 HV	10		
40	4700947690	Screw	10		

**Cooling system** Hose assy kit

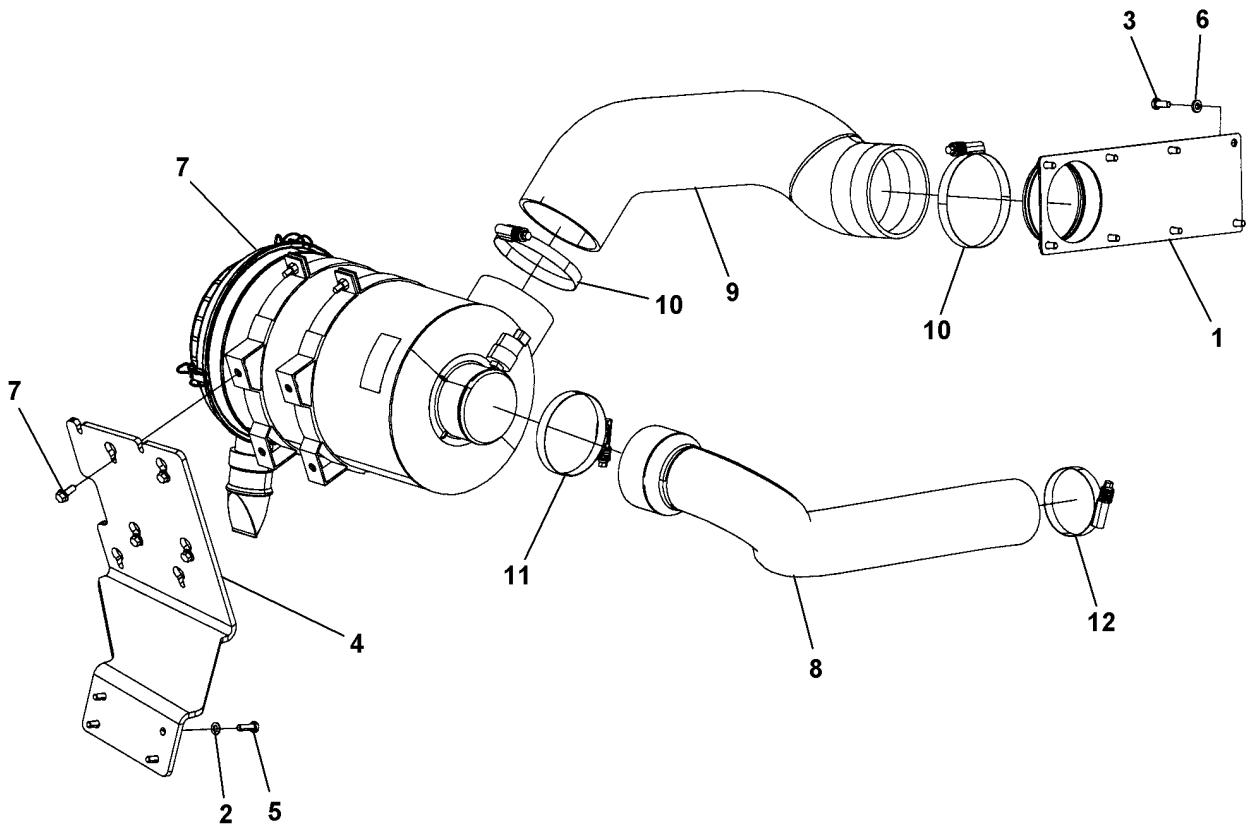


Refer to Parts Online for the most up to date information. The printed information might be outdated.

Wed Nov 21 11:45:15 UTC 2018

Item	Part No.	Name	Qty	L	SN INFO
1	4812117945	Cooler hose	1		
2	4812117946	Cooler hose	1		
3	4700205027	Coolant hose	2.5		
5	4700903703	Clamp	5		
6	4700313010	Hose clamp	2		
7	4700313008	Hose clamp	1		
9	4700313004	Hose clamp 19-29mm	2		
10	4700313002	Hose clamp	3		
11	4700792442	Cable tie	1		
12	4700923008	Clamp	1		
13	4700921050	Clamp	1		
14	4700904230	Steel plain washer	1		
15	4700500048	Screw, M10x20 mm 8.8 A3K	1		
16	4700902286	Lock nut, M8x1.25 mm A2K	5		
17	4700500505	Screw, M8x20 mm 8.8 A2K	1		
19	4700903703	Clamp	1		
20	4700500505	Screw, M8x20 mm 8.8 A2K	1		
21	4812117248	Cable tie with holder	2		

**Engine Air cleaner**

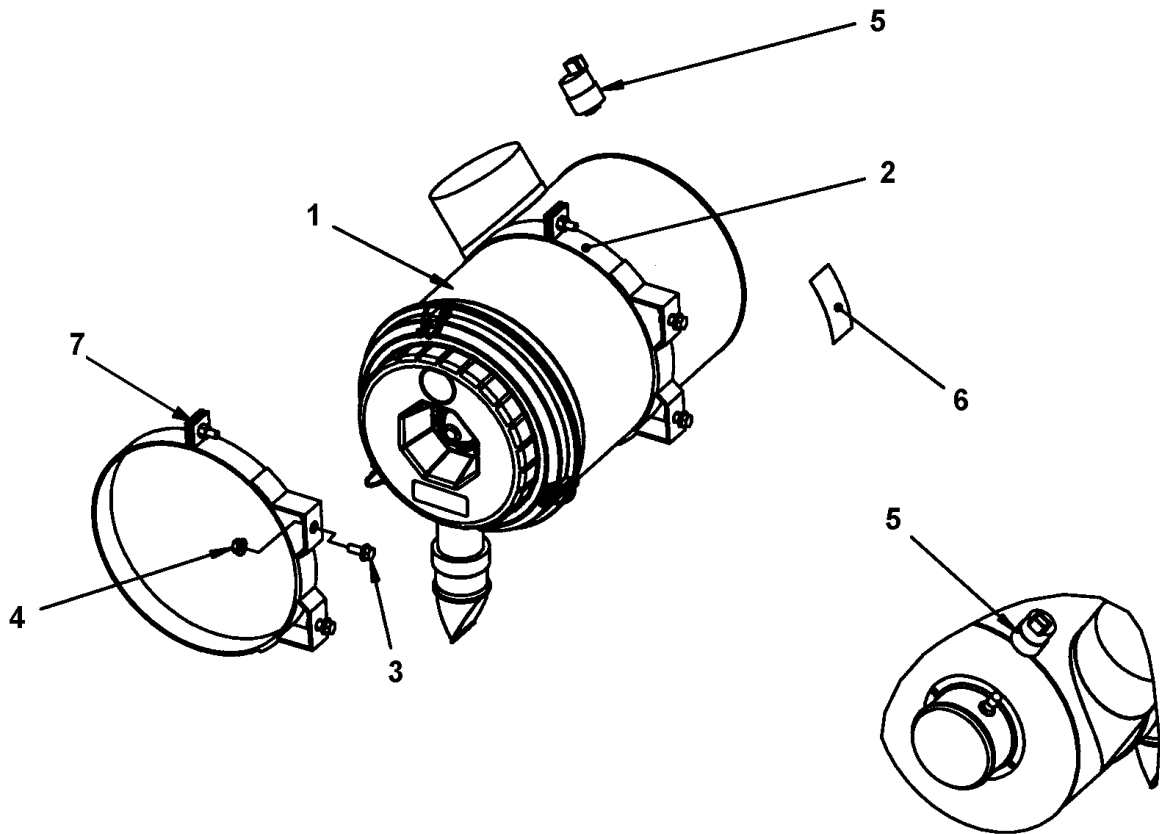


Refer to Parts Online for the most up to date information. The printed information might be outdated.

Wed Nov 21 11:45:15 UTC 2018

Item	Part No.	Name	Qty	L	SN INFO
1	4812113573	Air intake duct	1		
2	4700904229	Washer, 8.4x 6x1.5 mm 300HV	4		
3	4700500053	Screw, M8x20 mm 8.8 A2K	8		
4	4812117246	Bracket	1		
5	4700500021	Screw, M8x25 mm 8.8 A2K	4		
6	4700904556	Steel plain washer 8,4x16x3,0	8		
7	-	Air cleaner module	1		
8	4812118058	Air intake hose	1		
9	4812118059	Air intake hose	1		
10	4812118433	Hose clamp	2		
11	4700378712	Clamp	1		
12	4700392810	Clamp	1		

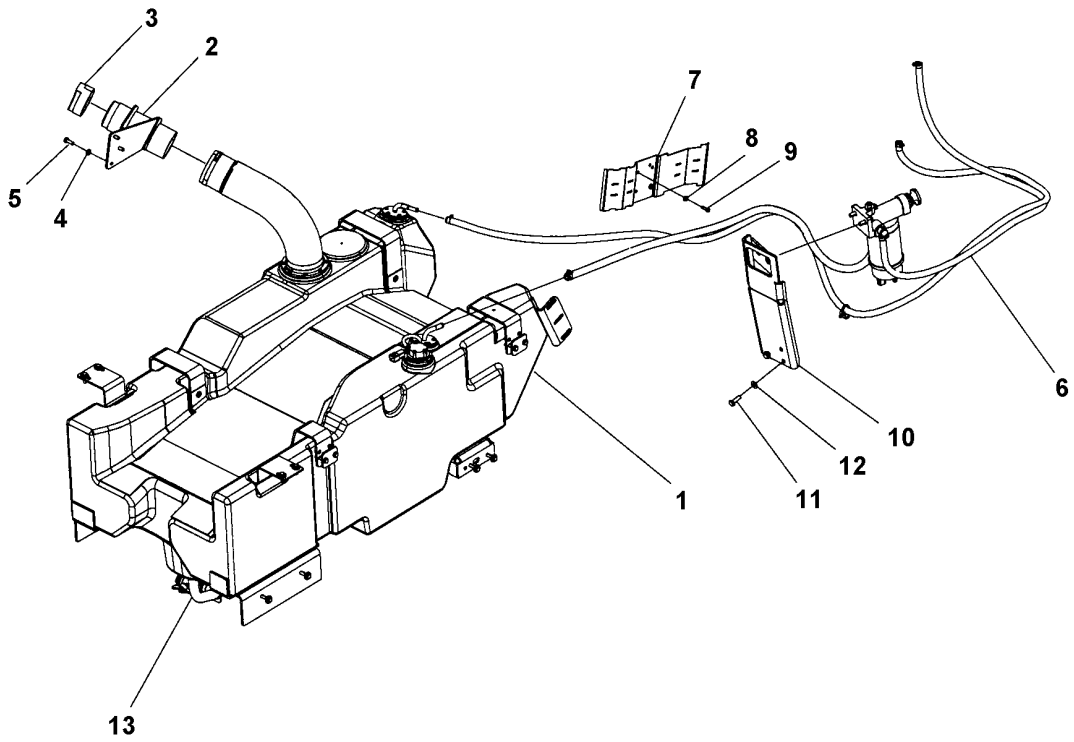
**Engine** Air cleaner module





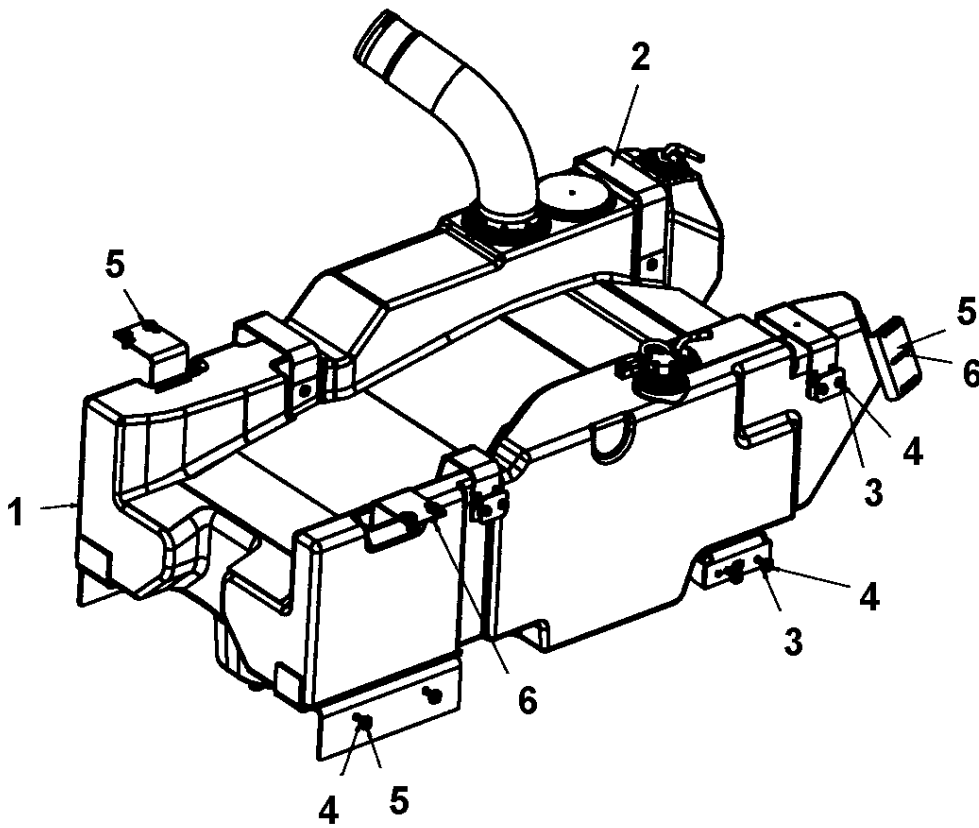
Item	Part No.	Name	Qty	L	SN INFO
1	4700394679	Air cleaner	1		
1	4700908399	Vacuator valve	1		
1	4700394686	Air filter, main	1		
1	4700394687	Air filter, safety	1		
1	4700395022	Cover	1		
2	4700813791	Mounting band	2		
3	4700500505	Screw, M8x20 mm 8.8 A2K	4		
4	4700903586	Nut, M8x1.25 mm A2K	6		
5	4700904575	Indicator	1		
6	4700791642	Decal "WARNING" Use of starting fluid prohib.	1		
7	4700904229	Washer, 8.4x 6x1.5 mm 300HV	2		

**Fuel system** Fuel system



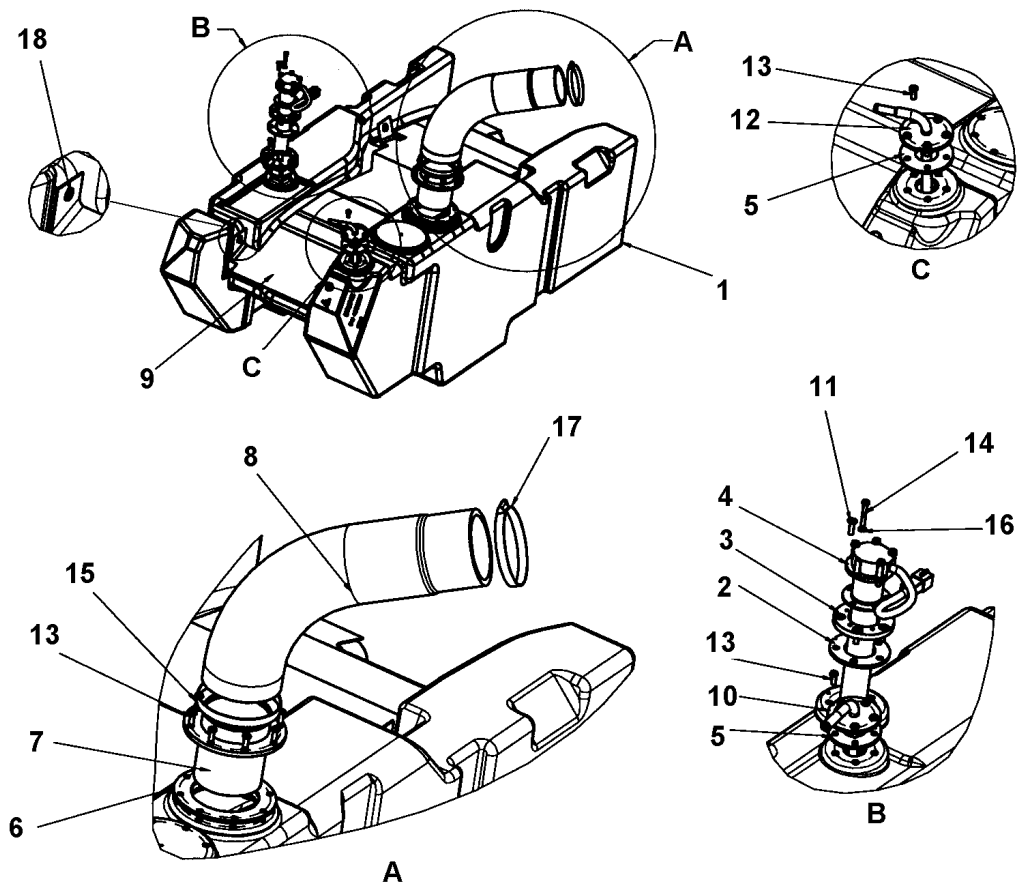
Item	Part No.	Name	Qty	L	SN INFO
1	-	Fuel tank module	1		
2	4812120376	Bracket	1		
3	4700380436	Fuel cap	1		
4	4700904556	Steel plain washer 8,4x16x3,0	3		
5	4700500021	Screw, M8x25 mm 8.8 A2K	3		
6	4812118060	Fuel hose module	1		
7	4812114212	Bracket	1		
8	4700603001	Washer	2		
9	4700508025	Screw, M6x20 mm 8.8 A2K	2		
10	4812115902	Bracket	1		
11	4700500029	Steel plain washer	2		
12	4700904230	Steel plain washer	2		
13	-	Draining module, option	1		

**Fuel system** Fuel tank module



Item	Part No.	Name	Qty	L	SN INFO
1	-	Fuel Tank	1		
2		Bracket assy	1		
3	4700904229	Washer, 8.4x 6x1.5 mm 300HV	8		
4	4700500047	Hexagon head screw	16		
5	4700904640	Washer, 8.4x22x3 mm 300HV	16		
6	4700500021	Screw, M8x25 mm 8.8 A2K	8		

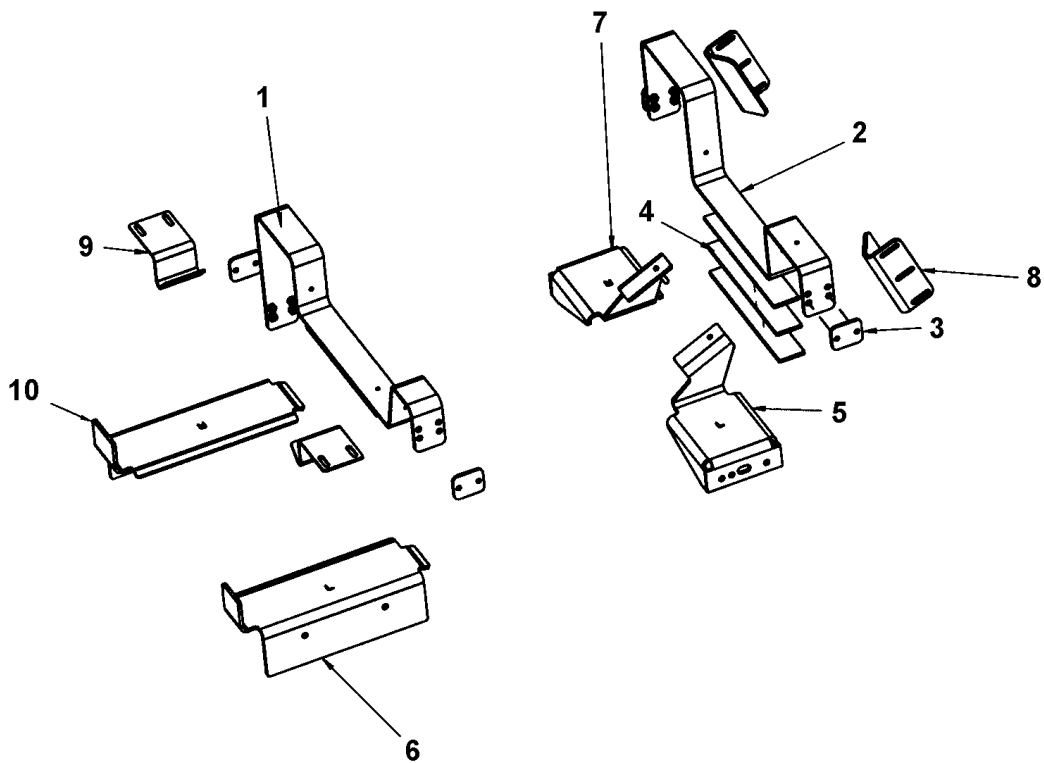
Fuel system Fuel tank



Refer to Parts Online for the most up to date information. The printed information might be outdated.

Wed Nov 21 11:45:16 UTC 2018

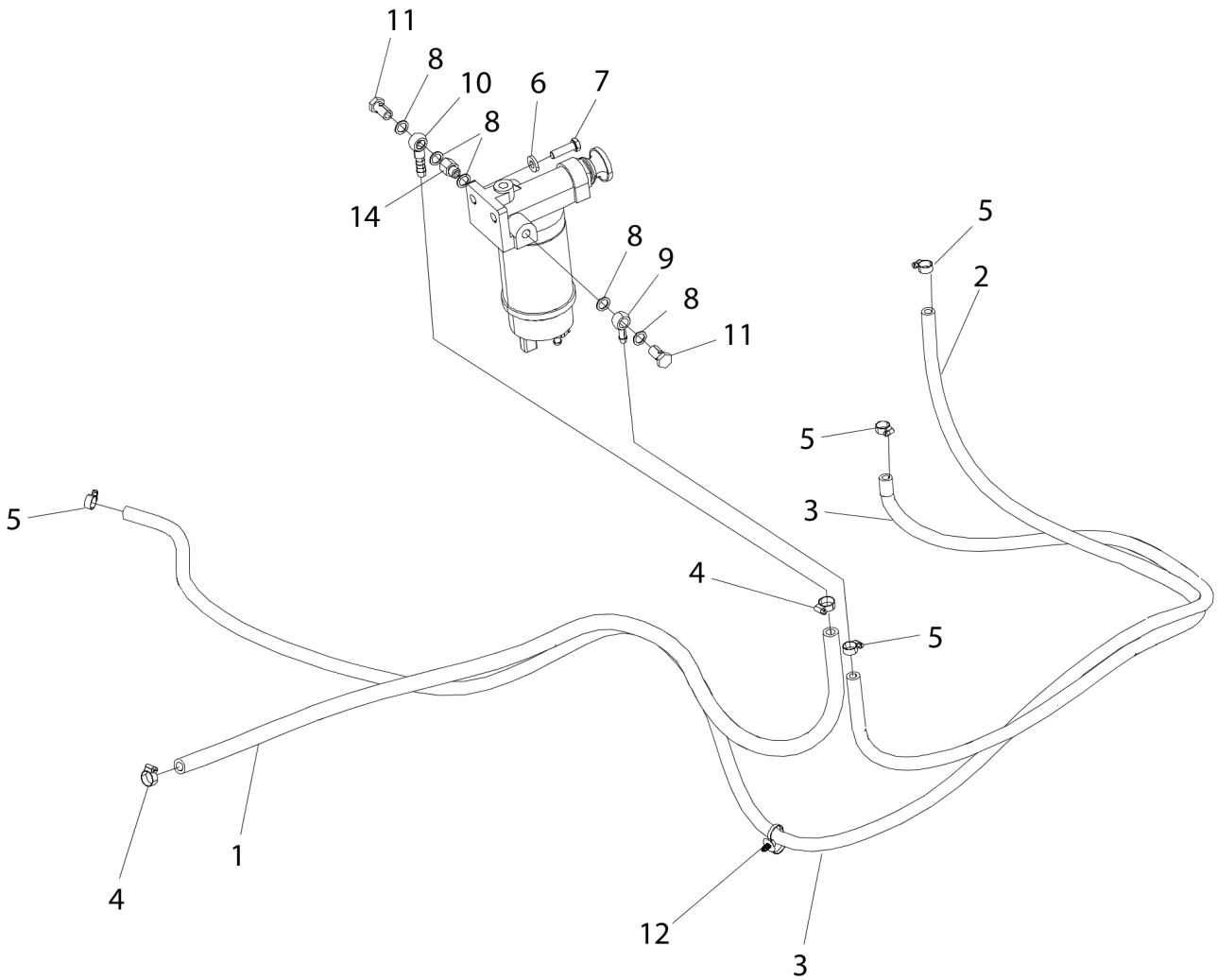
Item	Part No.	Name	Qty	L	SN INFO
1	4812116100	Fuel tank	1		
2	4812114949	Gasket	1		
3	4812114813	Adapter	1		
4	4812114935	Level sensor	1		
5	4812116834	Gasket	2		
6	4812112655	Flange gasket	1		
7	4812112656	Flange connection	1		
8	4812118670	Fuel hose	1		
9	4812116290	Rubber cloth	1		
10	4812118275	Fuel pipe	1		
11	4700513012	Screw, M6 x 20 mm 10.9 GEOMET®	5		
12	4812116836	Fuel pipe	1		
13	4700904206	Screw, M6x16 mm	18		
14	4700500009	Hex. screw	5		
15	4700313033	Hose clamp	1		
16	4700904281	Washer, 5,3x10x1 300HV	5		
17	4700313033	Hose clamp	1		
18	4700395785	Expansion rivet	4		

**Fuel system** Bracket assy



Item	Part No.	Name	Qty	L	SN INFO
1	4812116285	Bracket	1		
2	4812116286	Bracket	1		
3	4812112639	Spacer	4		
4	4812112761	Rubber cloth	6		
5	4812113640	Bracket	1		
6	4812112647	Bracket	1		
7	4812113641	Bracket	1		
8	4812112777	Bracket	2		
9	4812112776	Bracket	2		
10	4812114913	Bracket	1		

**Fuel system** Fuel hose module



Item	Part No.	Name	Qty	L	SN INFO
1	4700904986	Fuel hose, fire-resistant	1XL	A	
2	4700904985	Fuel hose, fire-resistant	1XL	B	
3	4700904985	Fuel hose, fire-resistant	1XL	C	
4	4700313002	Hose clamp	2		
5	4700313001	Hose clamp, 11-18 x 9 mm	4		
6	4700904557	Washer, 10.5x22x4 mm 300 HV	2		
7	4700500031	Screw M10x40	2		
8	4700747282	Copper washer	5		
9	4700330170	Banjo coupling	1		
10	4812117397	Banjo coupling	1		
11	4700330171	Hollow screw, M14	2		
12	4700792441	Cable tie with holder	1		
13	4700925802	Cable ties L=142 mm	N		
14	4812118503	Straight connector	1		

Comments for Page: Fuel hose module

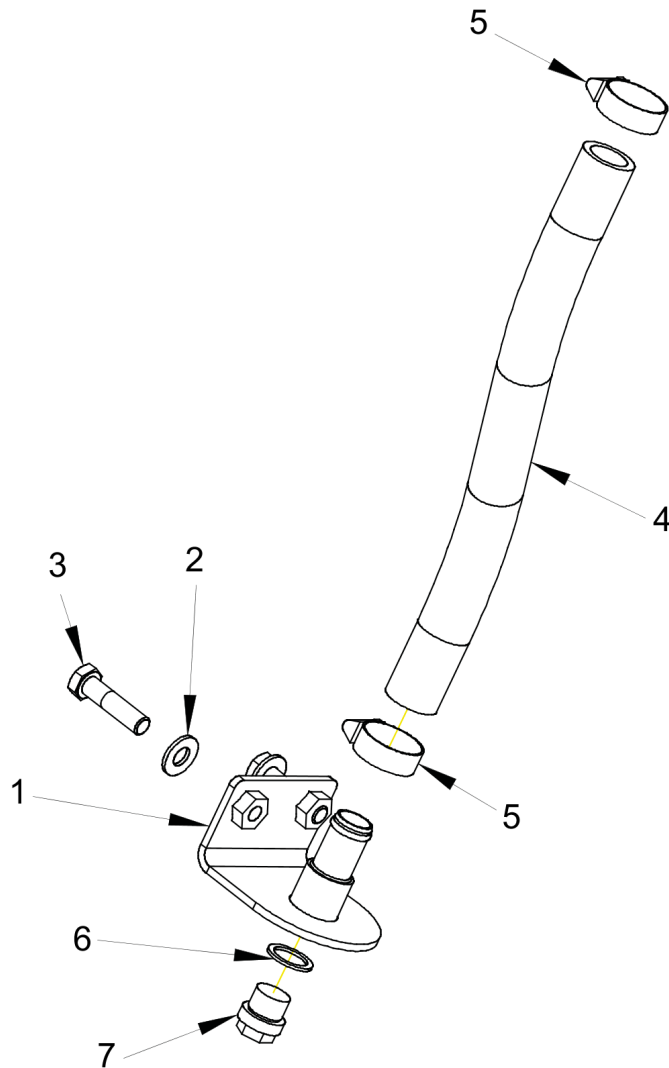
(L)OCAL REMARKS

A | en\_US | L = 1.3m

B | en\_US | L = 1.9m

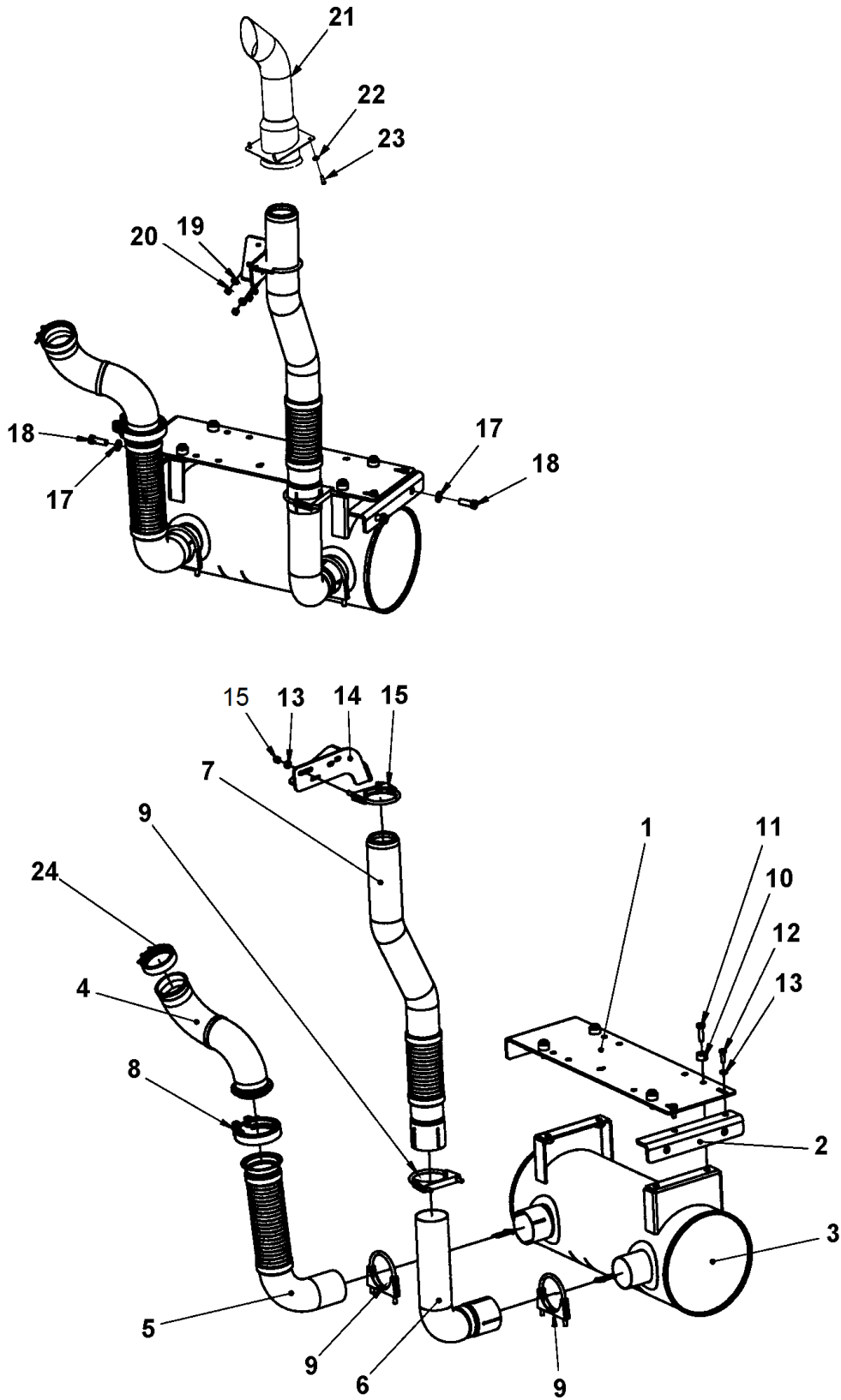
C | en\_US | L = 3.1m

**Fuel system** Draining module



Item	Part No.	Name	Qty	L	SN INFO
1	4812120205	Bracket	1		
2	4700904230	Steel plain washer	2		
3	4700500031	Screw M10x40	2		
4	4700904988	Fuel hose	0.45		
5	4700313006	Hose clamp	2		
6	4700330331	Washer 18,2x23,9x1,5	1		
7	4700232160	Plug screw	1		

Engine Exhaust system

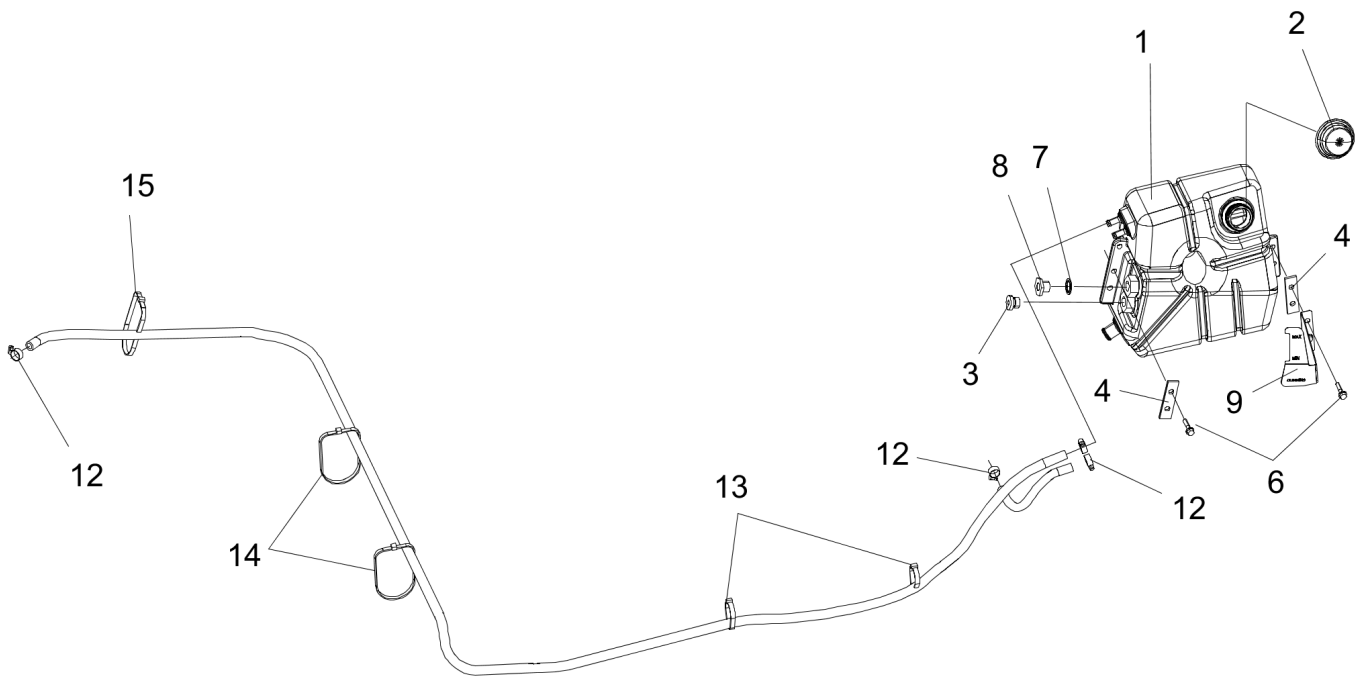


Refer to Parts Online for the most up to date information. The printed information might be outdated.

Wed Nov 21 11:45:17 UTC 2018

Item	Part No.	Name	Qty	L	SN INFO
1	4812116341	Bracket	1		
2	4812116342	Bracket	1		
3	4812117898	Muffler	1		
4	4812117899	Exhaust pipe	1		
5	4812117900	Exhaust pipe	1		
6	4812116111	Exhaust pipe	1		
7	4812116112	Exhaust pipe	1		
8	4812120858	V-band clamp	1		
9	4700313094	Hose clamp	3		
10	4700359989	Spacer sleeve	4		
11	4700500030	Hexagon head screw	4		
12	4700500021	Screw, M8x25 mm 8.8 A2K	2		
13	4700904556	Steel plain washer 8,4x16x3,0	4		
14	4812118499	Bracket	1		
15	4811000481	Pipe clamp	1		
17	4700904231	Washer, 13x24x2 mm 300 HV	4		
18	4700500037	Hex. screw	4		
19	4700904556	Steel plain washer 8,4x16x3,0	3		
20	4700570005	Hexagon nut	3		
21	4812112479	Exhaust pipe	1		
22	4700904640	Washer, 8.4x22x3 mm 300HV	4		
23	4700500021	Screw, M8x25 mm 8.8 A2K	4		
24	4700929185	Clamp	1		

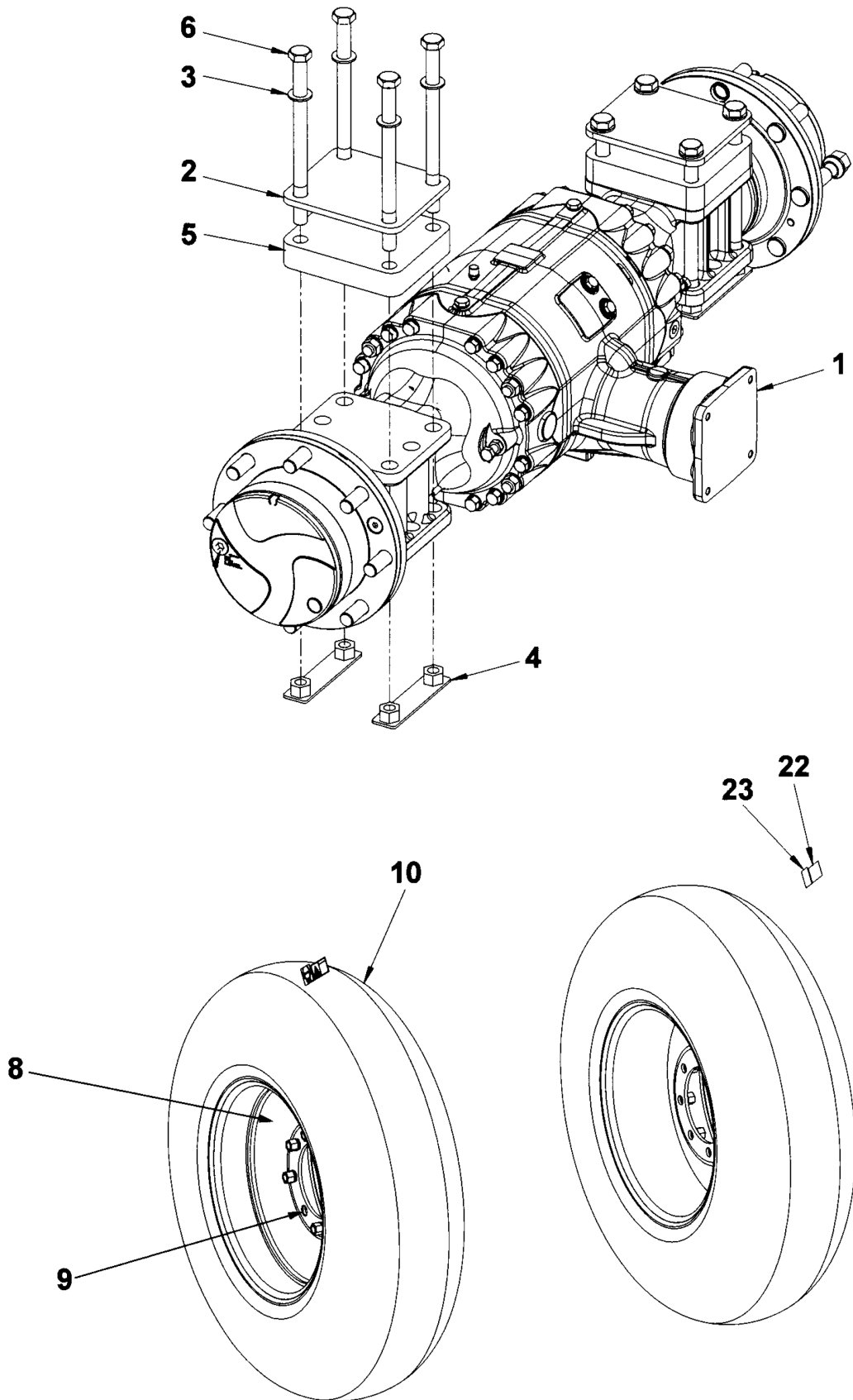
**Engine** Expansion tank assembly





Item	Part No.	Name	Qty	L	SN INFO
1	4812117379	Expansion tank, plastic	1		
2	4700903714	Cooler cap	1		
3	4700792295	Steel plug	1		
4	4700381413	Washer	2		
6	4700500503	Screw, M6x30 mm 8.8 A2K	4		
7	4700160080	O-ring	1		
8	4812114210	Adapter	1		
9	4812120663	Bracket	1		
10	4700904985	Fuel hose, fire-resistant	2.50		
11	4700904985	Fuel hose, fire-resistant	0.23		
12	4700313001	Hose clamp, 11-18 x 9 mm	4		
13	4700313102	Cable ties	2		
14	4700313102	Cable ties	3		
15	4812117248	Cable tie with holder	2		

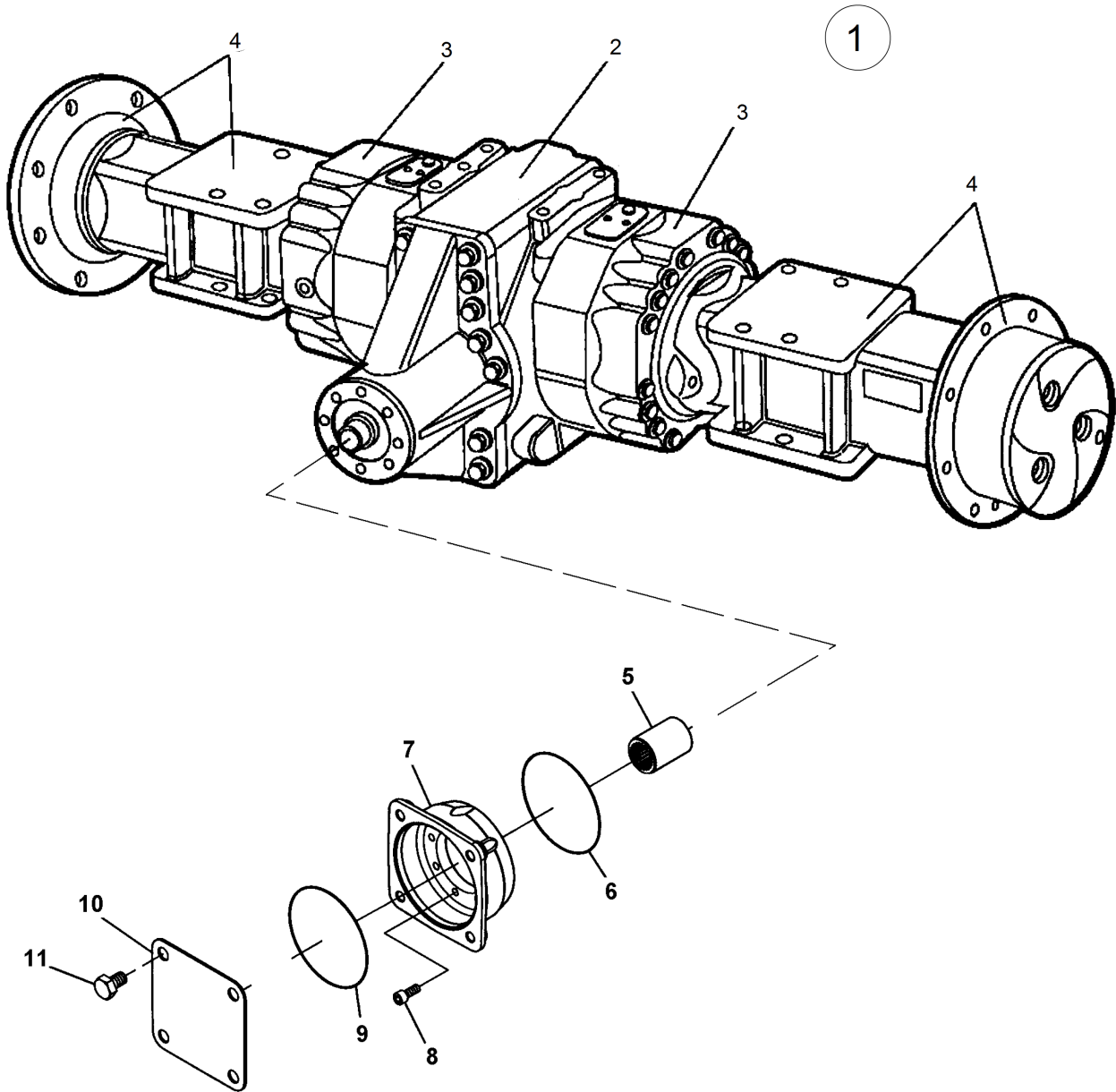
**Transmission** Rear axle and wheels



Refer to Parts Online for the most up to date information. The printed information might be outdated.  
Wed Nov 21 11:45:18 UTC 2018

Item	Part No.	Name	Qty	L	SN INFO
1	4812116237	Rear axle, limited slip	1		
1	4812116238	Rear axle cpl No-spin	1		
2	4812116607	Spacer	2		
3	4700904233	Steel plain washer 21x36x3	8		
4	4812112393	Nut-plate	4		
5	4812117348	Spacer	2		
6	4700904280	Hexagon head screw	8		
7	-	Wheel, cpl	2		
8	4812120593	Rim	1		
9	4700792261	Air charging valve Straight	1		
10	4700394645	Tyre	1		
22	4700903985	Decal "SAFETY"	4		
23	4812117438	Decal "TYRE PRESSURE"	2		

4812116237 Rear axle Limited-Spin 4812116237 Rear axle cpl, Limited-spin

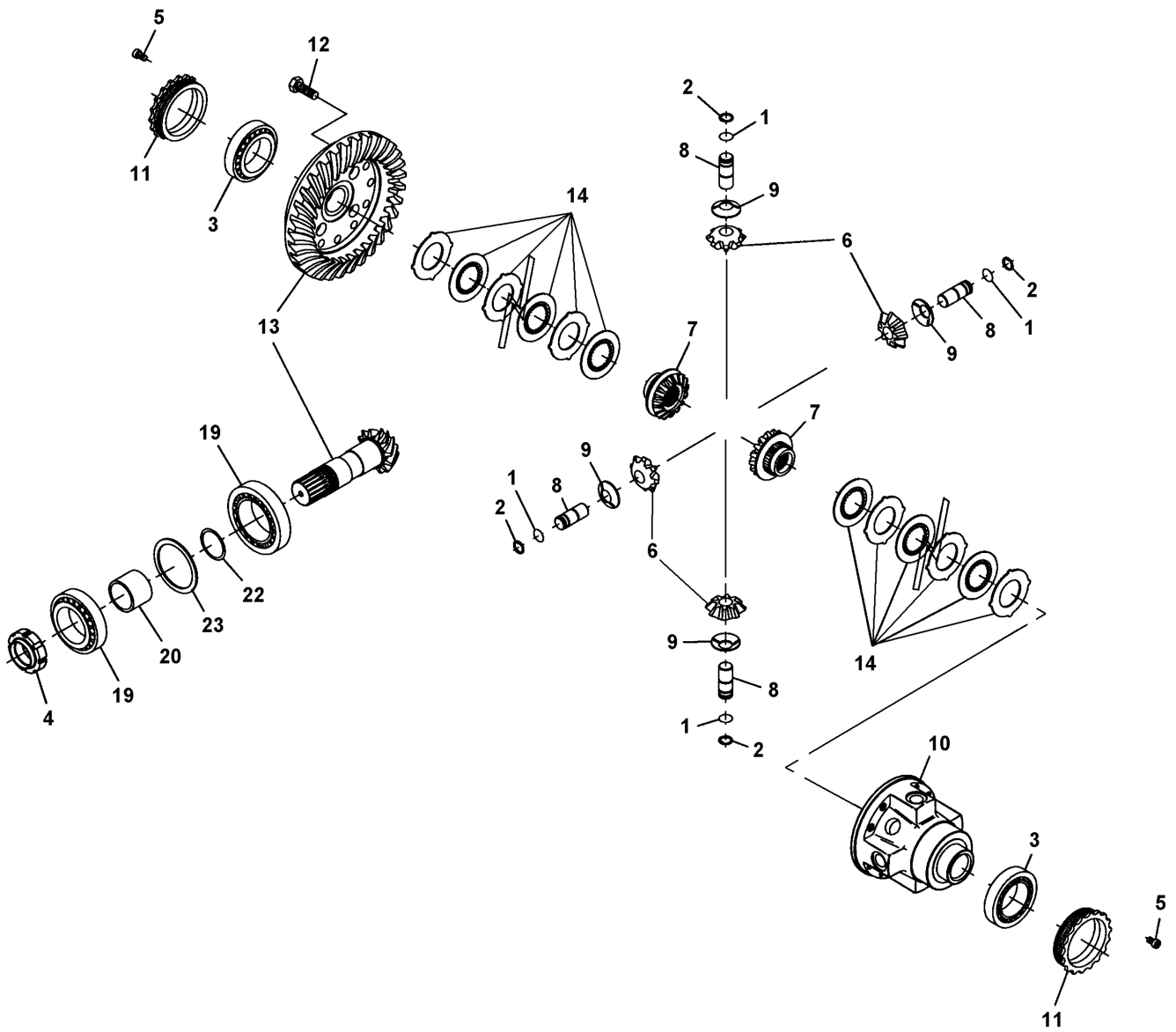


Refer to Parts Online for the most up to date information. The printed information might be outdated.

Wed Nov 21 11:45:19 UTC 2018

Item	Part No.	Name	Qty	L	SN INFO
1	4812116237	Rear axle, limited slip	1		
2	--	Differential	1		
3	--	Centralhousing & Brakes	1		
4	--	Hub reduction	1		
5	4812158569	Bushing	1		
6	4700929648	O-ring	1		
7	--	Cover	1		
8	--	Cylinder bolt	8		
9	--	O-ring	1		
10	--	Sheet	1		
11	--	Hexagon bolt	4		

4812116237 Rear axle Limited-Spin Differential

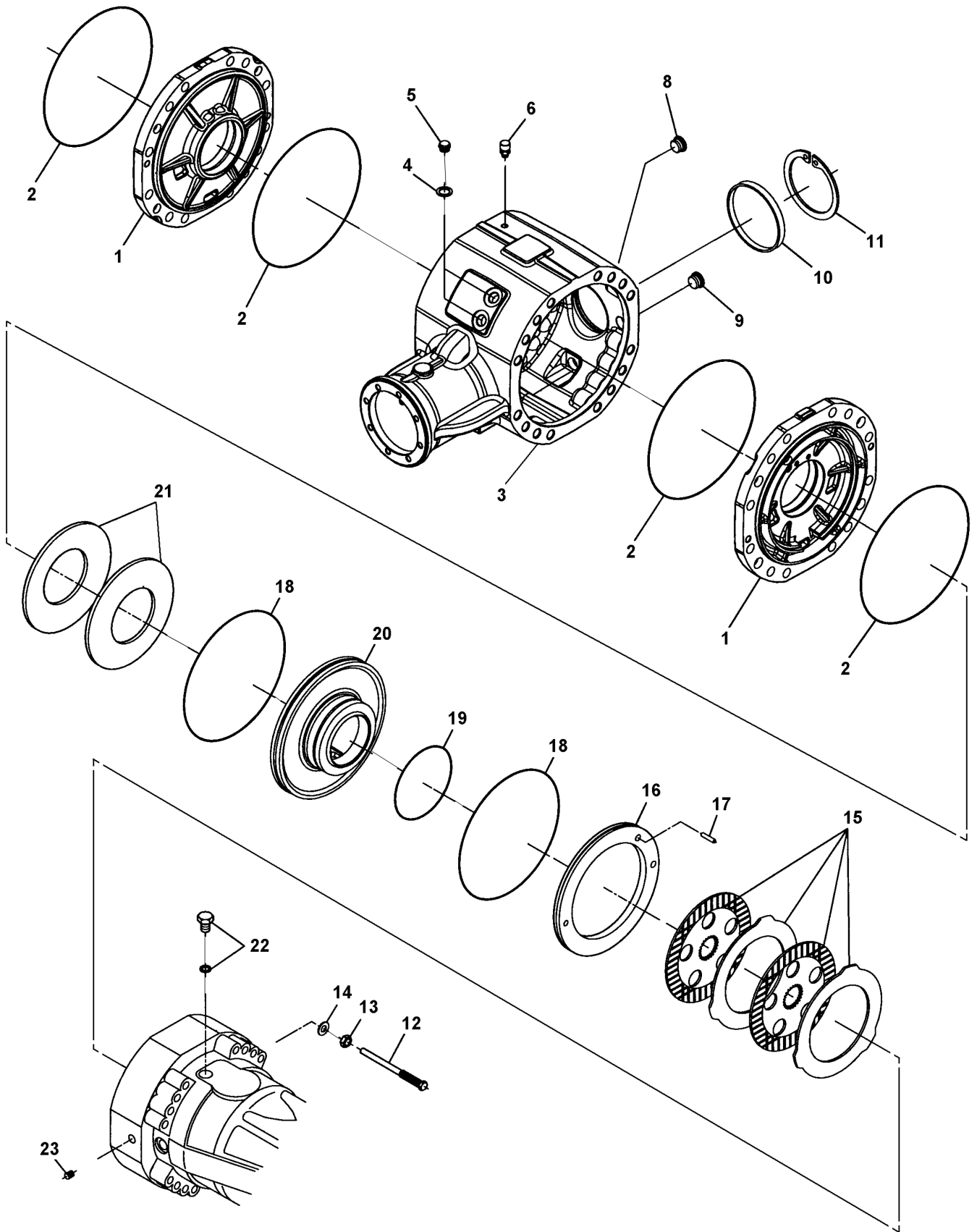


Refer to Parts Online for the most up to date information. The printed information might be outdated.

Wed Nov 21 11:45:20 UTC 2018

Item	Part No.	Name	Qty	L	SN INFO
1	-	Circlip	4		
2	-	Circlip	4		
3	4812157358	Taper roller bearing	2		
4	-	Ring nut	1		
5	-	Bolt	2		
6	-	Differential pinion	4		
7	-	Differential side gear	2		
8	-	Pin	4		
9	-	Friction washer	4		
10	-	Differential carrier	1		
11	-	Ring nut	2		
12	-	Bolt	16		
13	4812157359	Bevel gear set	1		
14	4812158573	Disc kit	2		
19	4812157360	Roller bearing	1		
20	-	Spacer	1		
22	-	Shim	1		
23	-	Shim	1		

4812116237 Rear axle Limited-Spin Central housing & Brakes



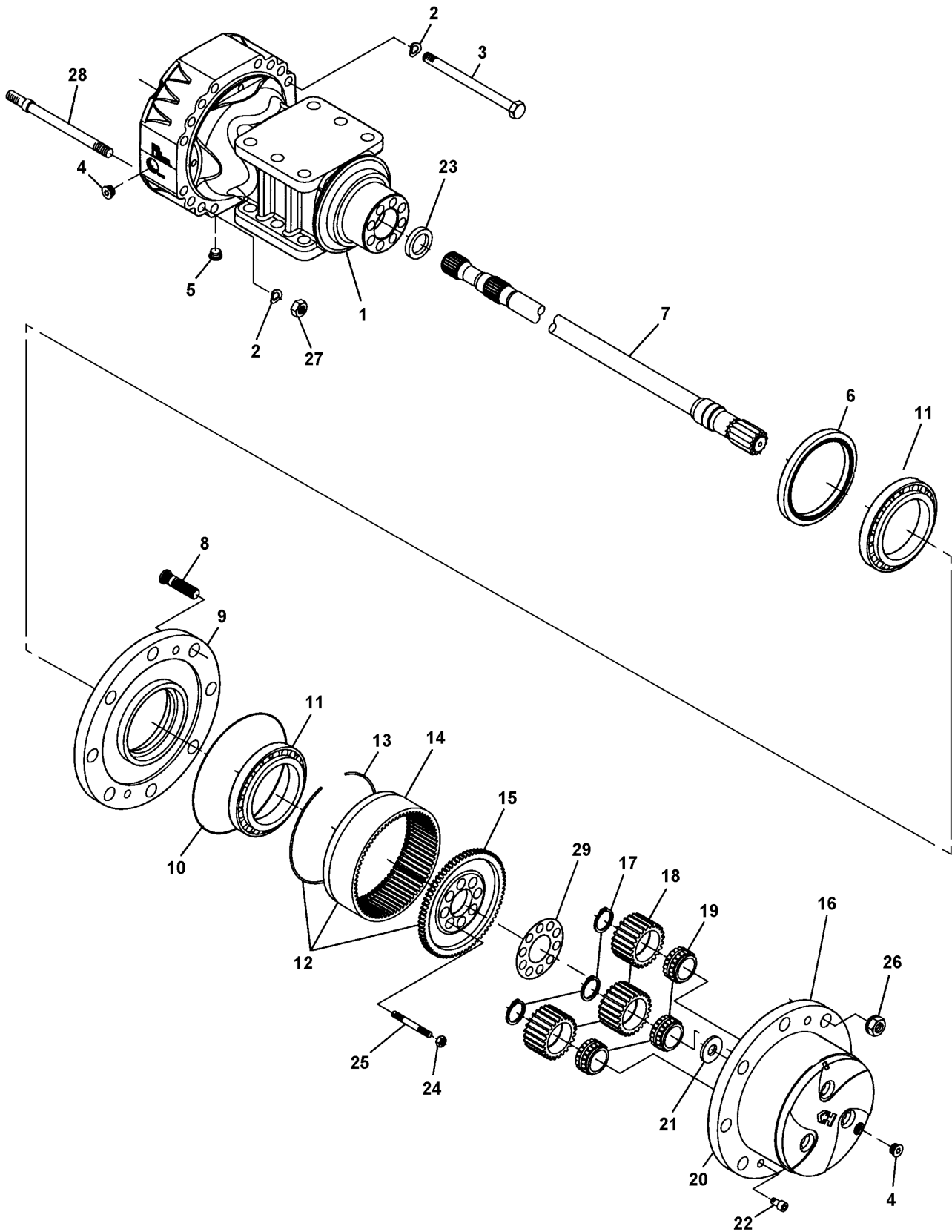
Refer to Parts Online for the most up to date information. The printed information might be outdated.

Wed Nov 21 11:45:21 UTC 2018



Item	Part No.	Name	Qty	L	SN INFO
1	-	Injector part	2		
2	4700909609	O-ring	4		
3	-	Housing	1		
4	-	Washer	2		
5	-	Bolt	2		
6	4700938984	Vent nipple	1		
8	-	Plug	1		
9	4700939350	Magnetic plug	1		
10	-	Plug	1		
11	-	Snap ring	1		
12	-	Bolt	4		
13	-	Lock nut	4		
14	-	Lock washer	4		
15	4812158573	Disc kit	2		
16	-	Ring	2		
17	-	Dowel	2		
18	4700909609	O-ring	4		
19	4812156954	O-ring	2		
20	-	Piston	2		
21	-	Lock nut	4		
22	-	Plug	2		
23	-	Plug	2		

4812116237 Rear axle Limited-Spin Hub reduction

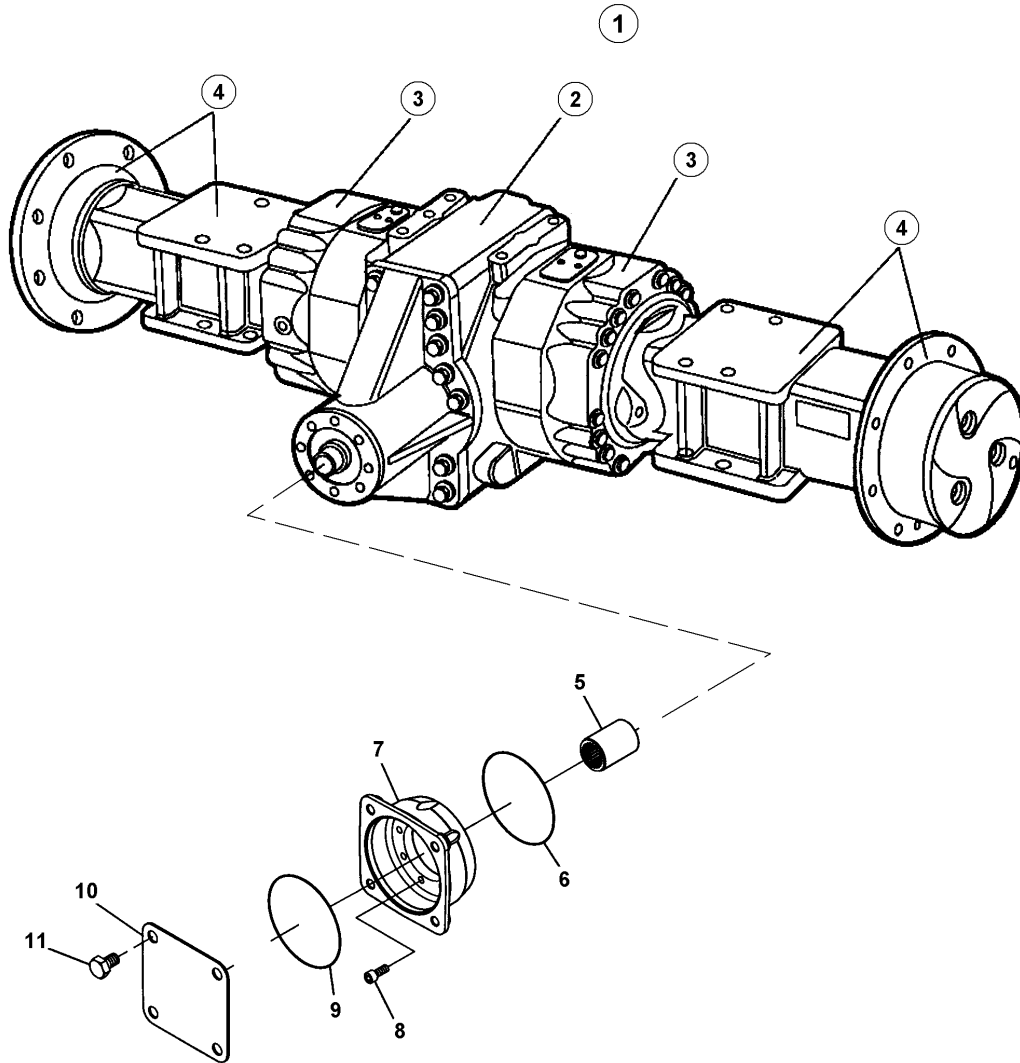


Refer to Parts Online for the most up to date information. The printed information might be outdated.

Wed Nov 21 11:45:22 UTC 2018

Item	Part No.	Name	Qty	L	SN INFO
1	-	Axle case	2		
2	-	Spring washer	8		
3	-	Bolt	24		
4	-	Plug	2		
5	4700939350	Magnetic plug	4		
6	4812156796	Seal	2		
7	-	Half shaft	2		
8	4700926781	Wheel screw	16		
9	-	Wheel hub	2		
10	4700936020	O-ring	2		
11	4700939009	Bearing	4		
12	4812158571	Ring gear support kit	2		
13	-	Circlip	2		
14	-	Ring gear	2		
15	-	Ring gear support	2		
16	4812158570	Ring gear carrier kit	2		
17	-	Circlip	6		
18	-	Planet gear	6		
19	4700939013	Bearing	6		
20	-	Planet gear carrier	2		
21	-	Friction washer	2		
22	-	Counterstrike bolt	4		
23	4700939014	Seal	2		
24	-	Lock nut	16		
25	-	Plain washer	16		
26	4700901987	Wheel nut	16		
27	-	Lock nut	8		
28	-	Plain washer	8		
29	-	Locking plate	2		

**4812116238 Rear axle cpl No-spin** 4812116238 Rear axle cpl, No-spin

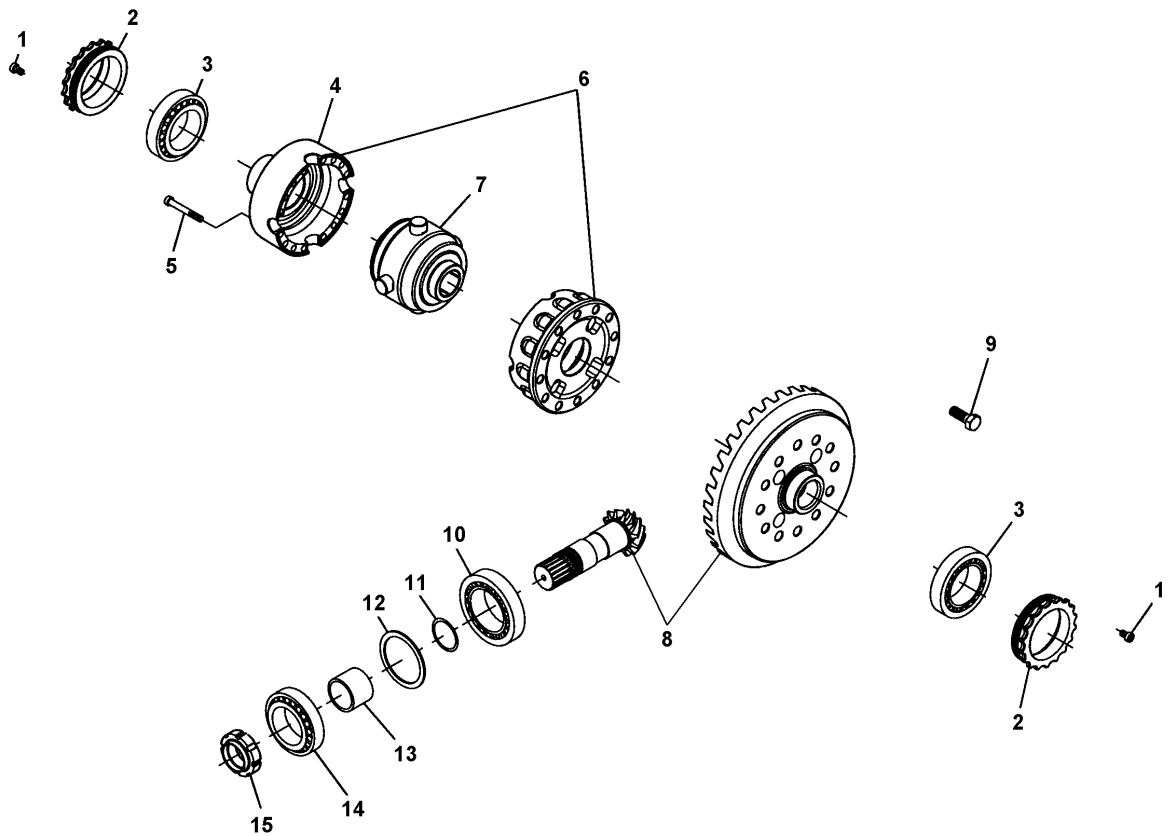


Refer to Parts Online for the most up to date information. The printed information might be outdated.

Wed Nov 21 11:45:23 UTC 2018

Item	Part No.	Name	Qty	L	SN INFO
1	4812116238	Rear axle cpl No-spin	1		
2	--	Differential	1		
3	--	Central housing & Brakes	1		
4	--	Hub reduction	1		
5	4812158569	Bushing	1		
6	4700929648	O-ring	1		
7	--	Cover	1		
8	--	Cylinder bolt	8		
9	--	O-ring	1		
10	--	Sheet	1		
11	--	Hexagon bolt	4		

4812116238 Rear axle cpl No-spin Differential

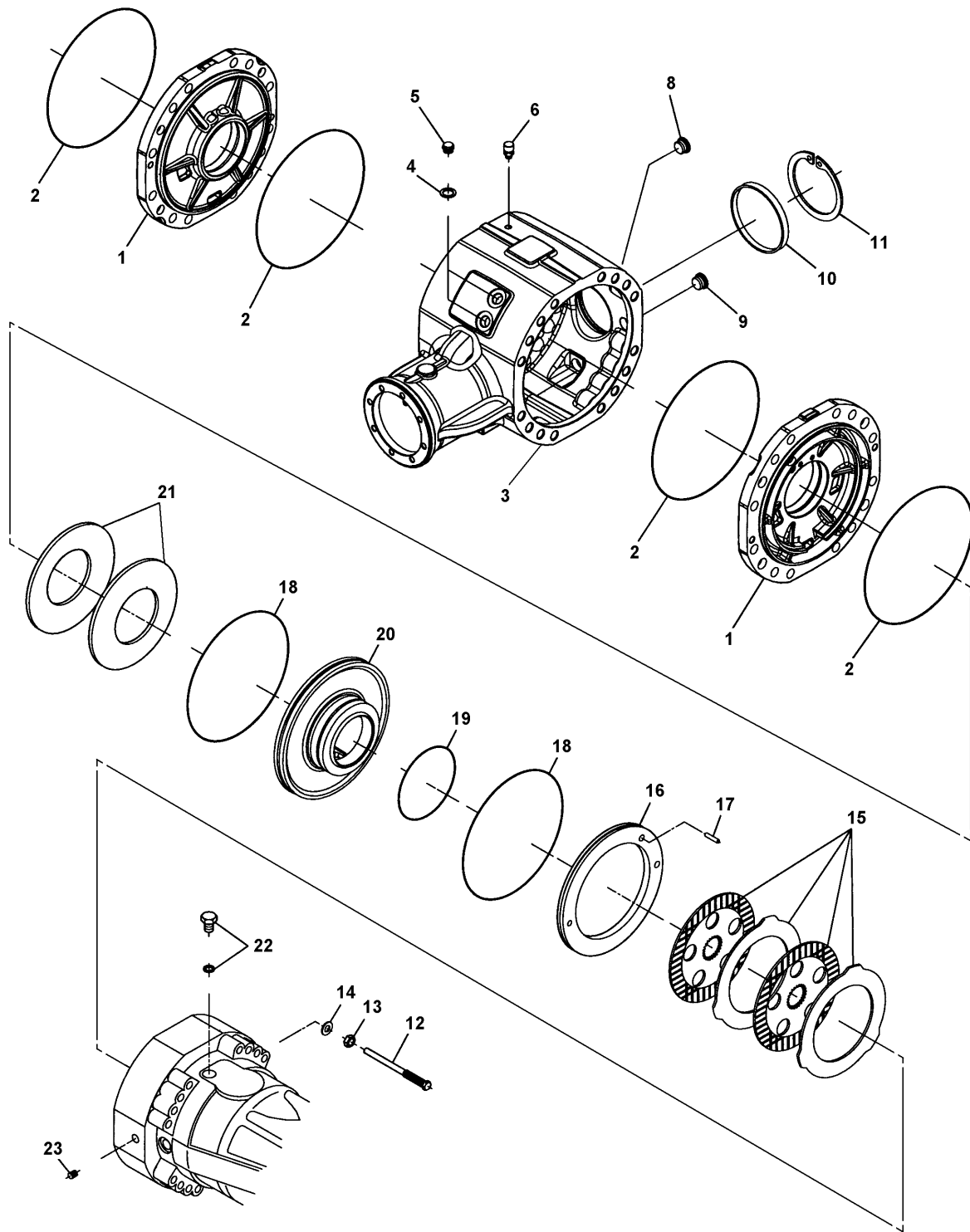


Refer to Parts Online for the most up to date information. The printed information might be outdated.

Wed Nov 21 11:45:23 UTC 2018

Item	Part No.	Name	Qty	L	SN INFO
1	-	Bolt	2		
2	-	Ring nut	2		
3	4812157358	Taper roller bearing	2		
4	-	No-spin differential	1		
5	-	Bolt	16		
6	-	Differential carrier	1		
7	-	No-spin differential	1		
8	4812157359	Bevel gear set	1		
9	-	Bolt	16		
10	4812157361	Roller bearing	1		
11	-	Shim	1		
12	-	Shim	1		
13	-	Spacer	1		
14	4812157360	Roller bearing	1		
15	-	Ring nut	1		

4812116238 Rear axle cpl No-spin Central housing & Brakes



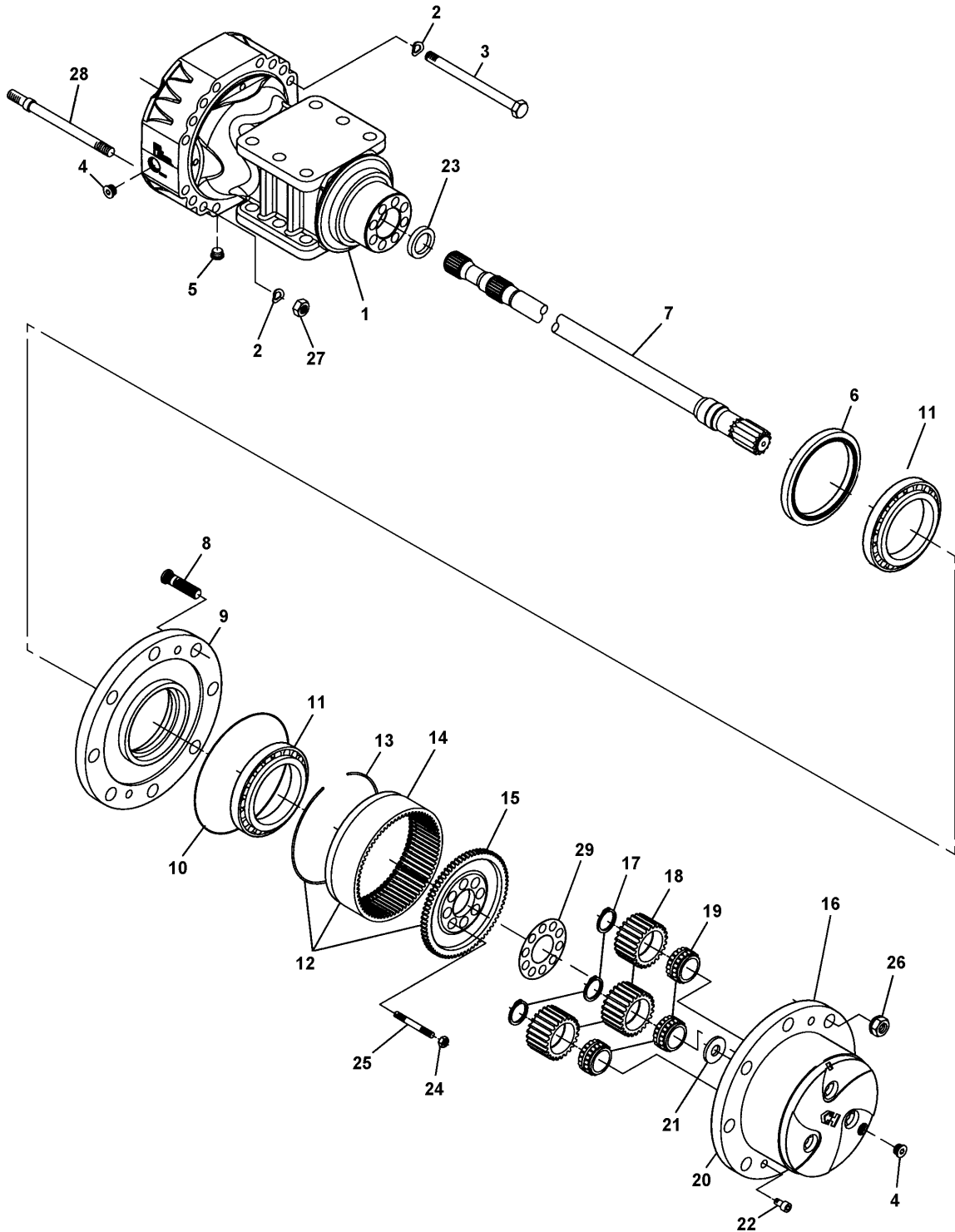
Refer to Parts Online for the most up to date information. The printed information might be outdated.

Wed Nov 21 11:45:23 UTC 2018



Item	Part No.	Name	Qty	L	SN INFO
1	-	Injector part	2		
2	4700909609	O-ring	4		
3	-	Housing	1		
4	-	Washer	2		
5	-	Bolt	2		
6	4700938984	Vent nipple	1		
8	-	Plug	1		
9	4700939350	Magnetic plug	1		
10	-	Plug	1		
11	-	Snap ring	1		
12	-	Bolt	4		
13	-	Lock nut	4		
14	-	Lock washer	4		
15	4812158572	Brake disc kit	2		
16	-	Ring	2		
17	-	Dowel	2		
18	4700909609	O-ring	4		
19	4812156954	O-ring	2		
20	-	Piston	2		
21	-	Lock nut	4		
22	-	Plug	2		
23	-	Plug	2		

4812116238 Rear axle cpl No-spin Hub reduction

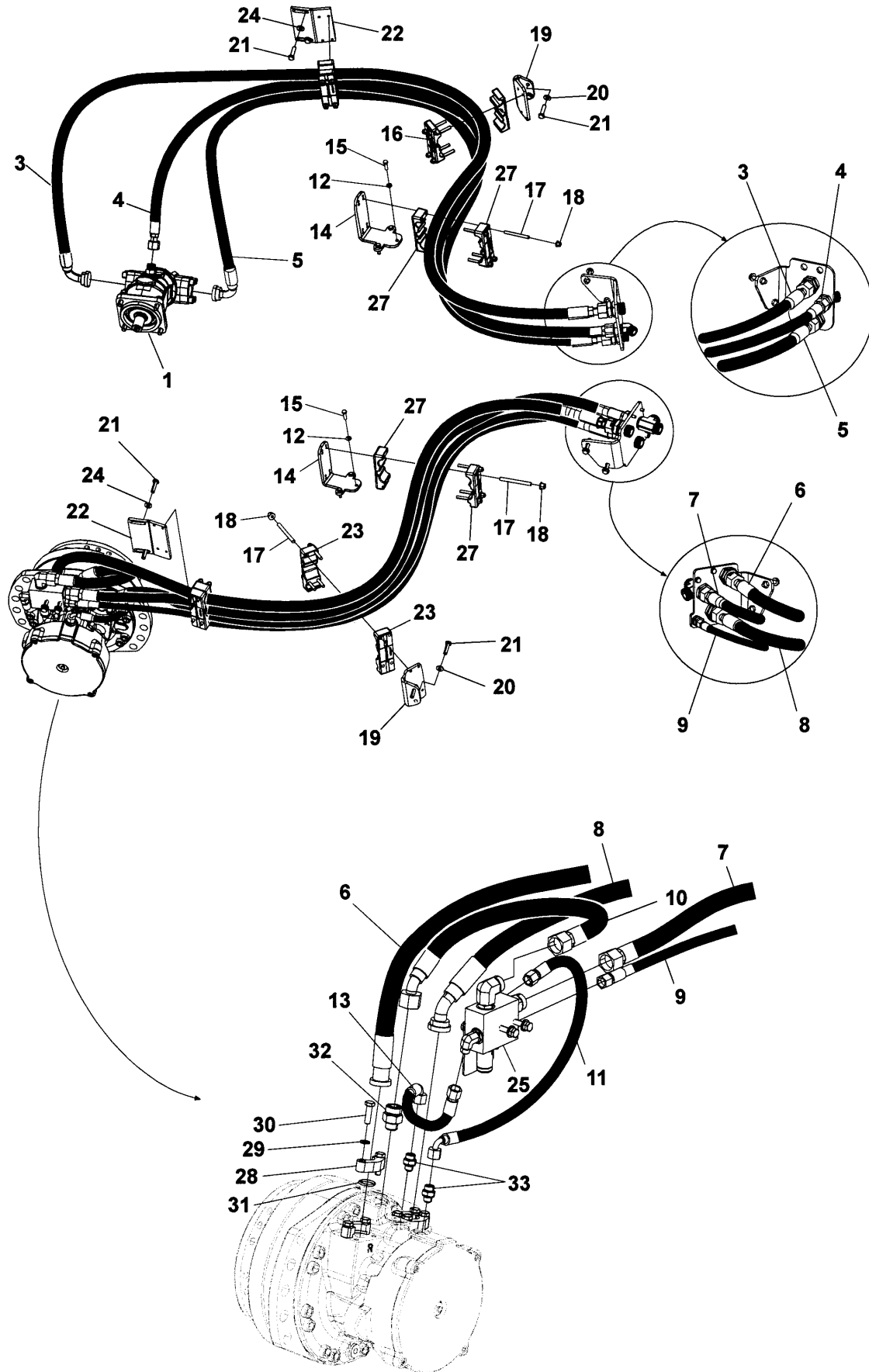


Refer to Parts Online for the most up to date information. The printed information might be outdated.

Wed Nov 21 11:45:23 UTC 2018

Item	Part No.	Name	Qty	L	SN INFO
1	-	Axle case	2		
2	-	Spring washer	8		
3	-	Bolt	24		
4	-	Plug	2		
5	4700939350	Magnetic plug	4		
6	4812156796	Seal	2		
7	-	Half shaft	2		
8	4700926781	Wheel screw	16		
9	-	Wheel hub	2		
10	4700936020	O-ring	2		
11	4700939009	Bearing	4		
12	4812158571	Ring gear support kit	2		
13	--	Circlip	2		
14	--	Ring gear	2		
15	--	Ring gear support	2		
16	4812158570	Ring gear carrier kit	2		
17	--	Circlip	6		
18	--	Planet gear	6		
19	4700939013	Bearing	6		
20	--	Planet gear carrier	2		
21	--	Friction washer	2		
22	-	Countersunk bolt	4		
23	4700939014	Seal	2		
24	-	Lock nut	16		
25	-	Plain washer	16		
26	4700901987	Wheel nut	16		
27	-	Lock nut	8		
28	-	Plain washer	8		
29	-	Locking plate	2		

Hydraulic system, drum Traction control - Dual speed Hydraulic system, drum (D) Traction control, dual speed



Refer to Parts Online for the most up to date information. The printed information might be outdated.

Wed Nov 21 11:45:24 UTC 2018

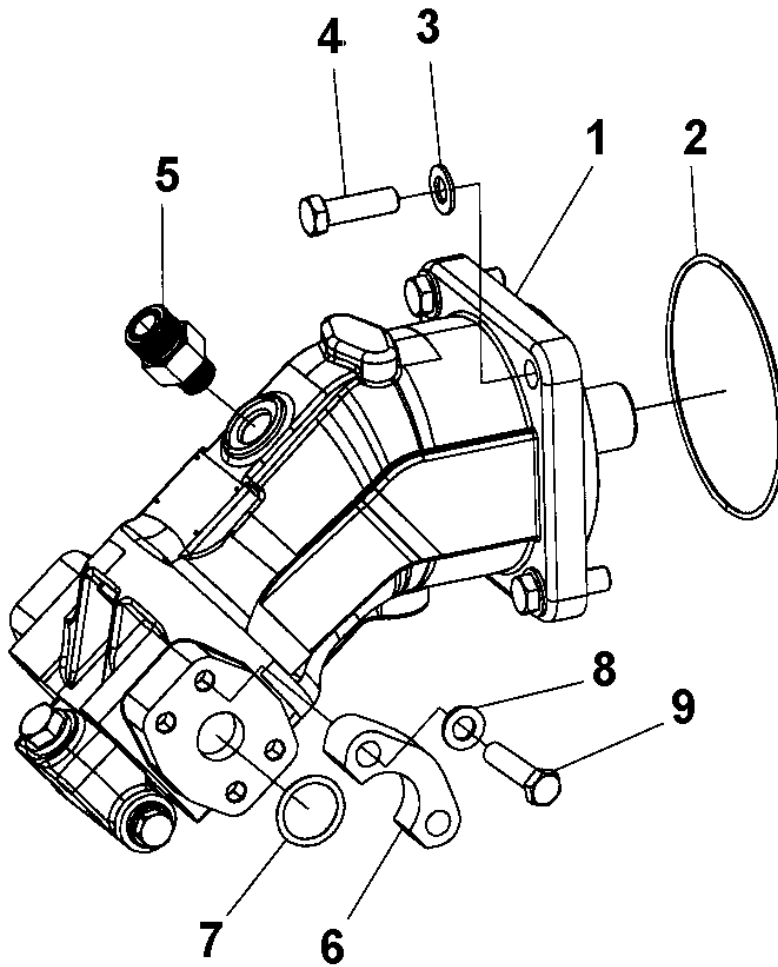
Item	Part No.	Name	Qty	L	SN INFO
1	-	Hydraulic motor	1	A	
3	4812115817	Hydraulic hose	1		
4	4812115818	Hydraulic hose	1		
5	4812115819	Hydraulic hose	1	A	
6	4812127189	Hydraulic hose	1		
7	4812115803	Hydraulic hose	1		
8	4812127190	Hydraulic hose	1		
9	4812115805	Hydraulic hose	1		
10	4812115806	Hydraulic hose	1		
11	4812114679	Hydraulic hose	1		
12	4700904229	Washer, 8.4x 6x1.5 mm 300HV	8		
13	4812114680	Hydraulic hose	1		
14	4812117915	Bracket	2		
15	4700500022	Screw	8		
16	4812112304	Hose holder	4		
17	4700791860	Stud	24		
18	4700902286	Lock nut, M8x1.25 mm A2K	24		
19	4812113963	Bracket	2		
20	4700904230	Steel plain washer	2		
21	4700500028	Hex Head screw	8		
22	4812113569	Bracket	2		
23	4812112306	Hose holder	4		
24	4700904557	Washer, 10.5x22x4 mm 300 HV	4		
25	-	Hydraulic valve module	1		
27	4812116857	Hose holder	4		
28	4700929226	Flange half	4		
29	4812122654	Steel plain washer	8		
30	4700508053	Screw	8		
31	4700904004	O-ring 90	2		
32	4700792336	Straight connector orfs	1		
33	4700791535	Connector	2		

Comments for Page: Hydraulic system, drum (D) Traction control, dual speed

(L)OCAL REMARKS

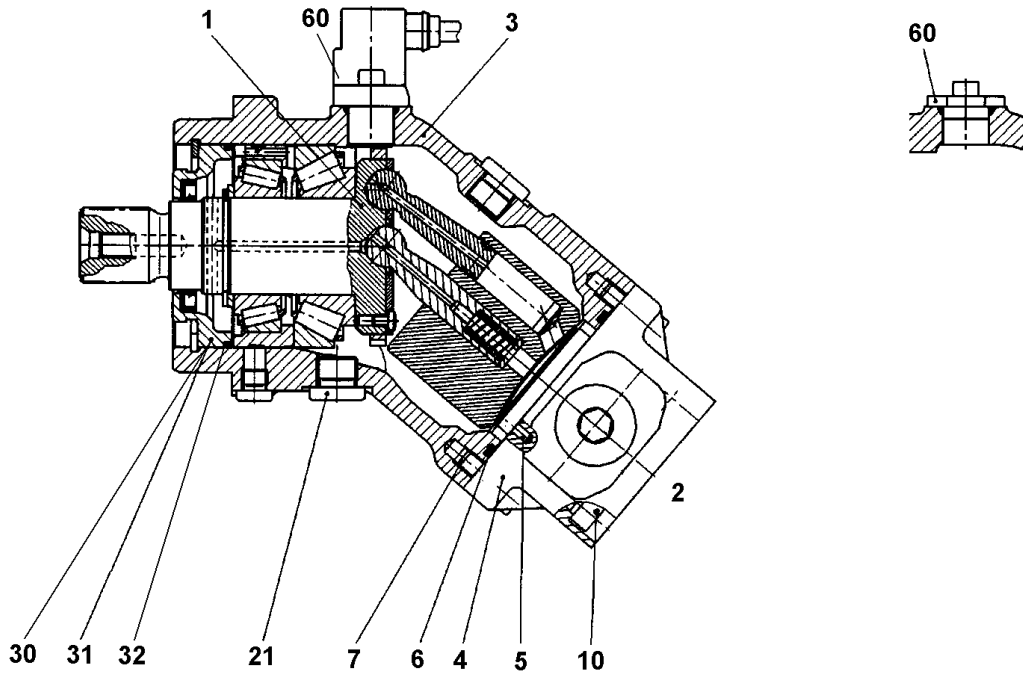
A | en\_US | Compaction data high, option.

Hydraulic system, drum Traction control - Dual speed Hydraulic motor



Item	Part No.	Name	Qty	L	SN INFO
1	4812112215	Hydraulic motor	1		
2	4700160132	O-ring 70	1		
3	4700904231	Washer, 13x24x2 mm 300 HV	4		
4	4700500194	Hexagon head screw w Tuflok M12x40H 8.8 A3K	4		
5	4811000074	Straight connector orfs	1		
6	4700900430	Flange half	4		
7	4700904774	O-ring	2		
8	4700904229	Washer, 8.4x 6x1.5 mm 300HV	8		
9	4700500022	Screw	8		

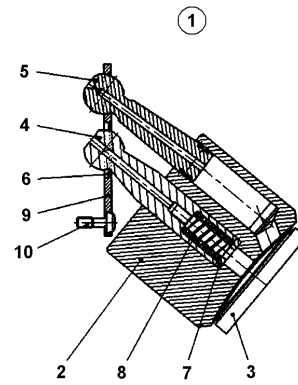
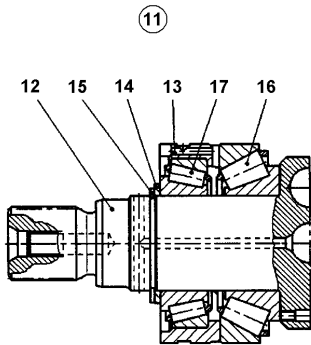
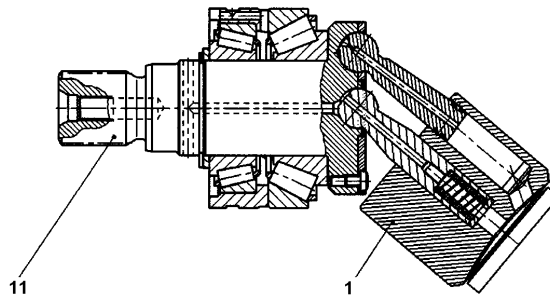
**4812112215 Hydraulic motor** 4812112215 Hydraulic motor





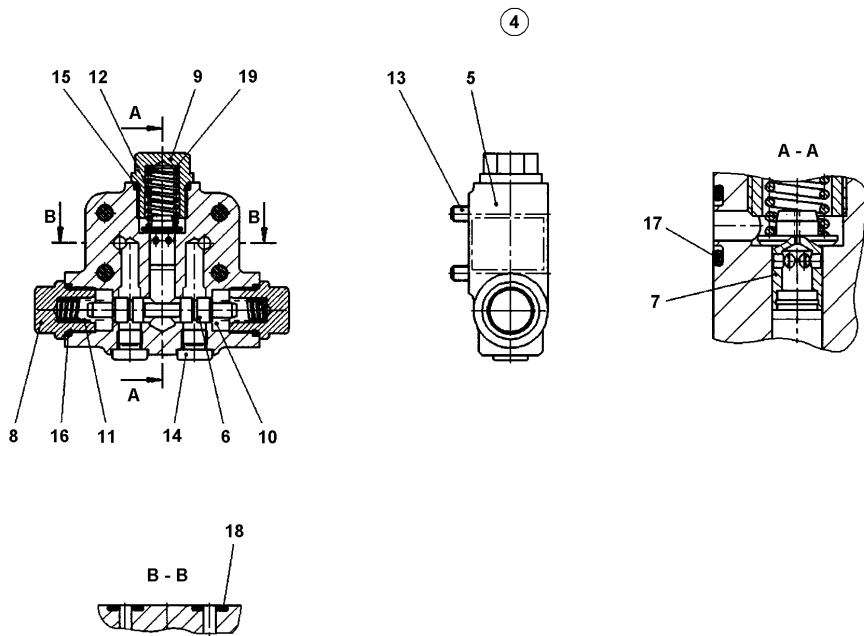
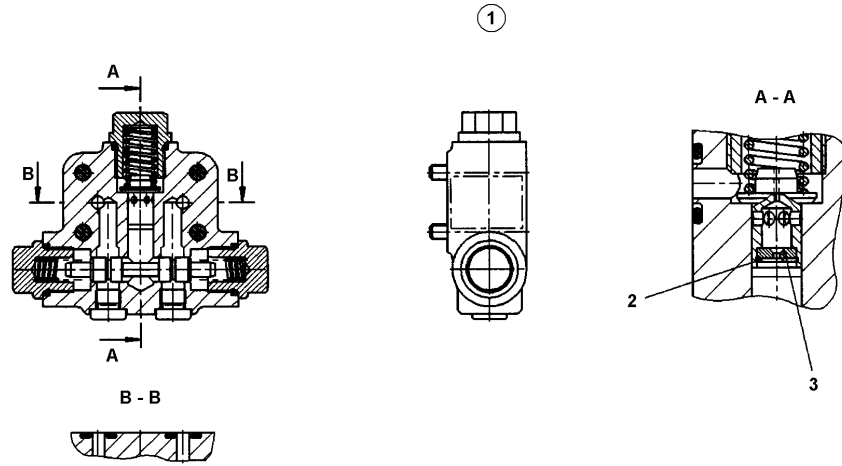
Item	Part No.	Name	Qty	L	SN INFO
1	-	Rotary group	1		
2	-	Flush and boost pressure valve	1		
3	-	Housing	1		
4	-	Subplate	1		
5	-	Cylinder pin	1		
6	4700937258	O-ring	1		
7	-	Socket head screw	2		
10	-	Socket head screw	4		
21	-	Locking screw	1		
30	-	Cover with shaft seal ring	1		
31	4812158766	Cover, cpl	1		
32	4700937265	O-ring	1		
60	-	Flange cover	1		

**4812112215 Hydraulic motor Rotary group**



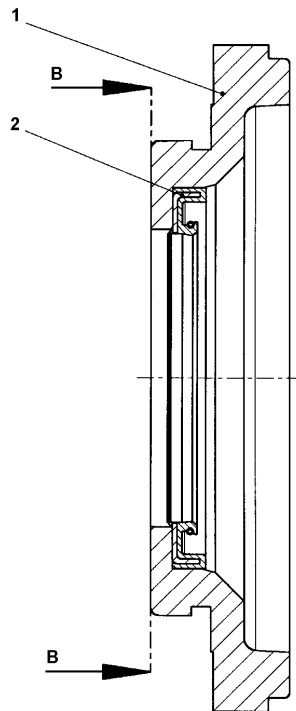
Item	Part No.	Name	Qty	L	SN INFO
1	-	Rotary group, hydraul section	1		
2	-	Cylinder	1		
3	-	Control plate	1		
4	-	Center pin	1		
5	-	Piston with piston rings	7		
6	-	Gasket	1		
7	-	Adjustment shim	1		
8	-	Pressure spring	1		
9	-	Retaining plate	1		
10	-	Pan-head screw	7		
11	-	Drive shaft with bearing assy	1		
12	-	Drive shaft	1		
13	-	Bearing ring	1		
14	-	Back-up plate	1		
15	-	Retaining ring	1		
16	4700901385	Bearing	1		
17	4700901386	Bearing	1		

**4812112215 Hydraulic motor** Flush and boost pressure valve



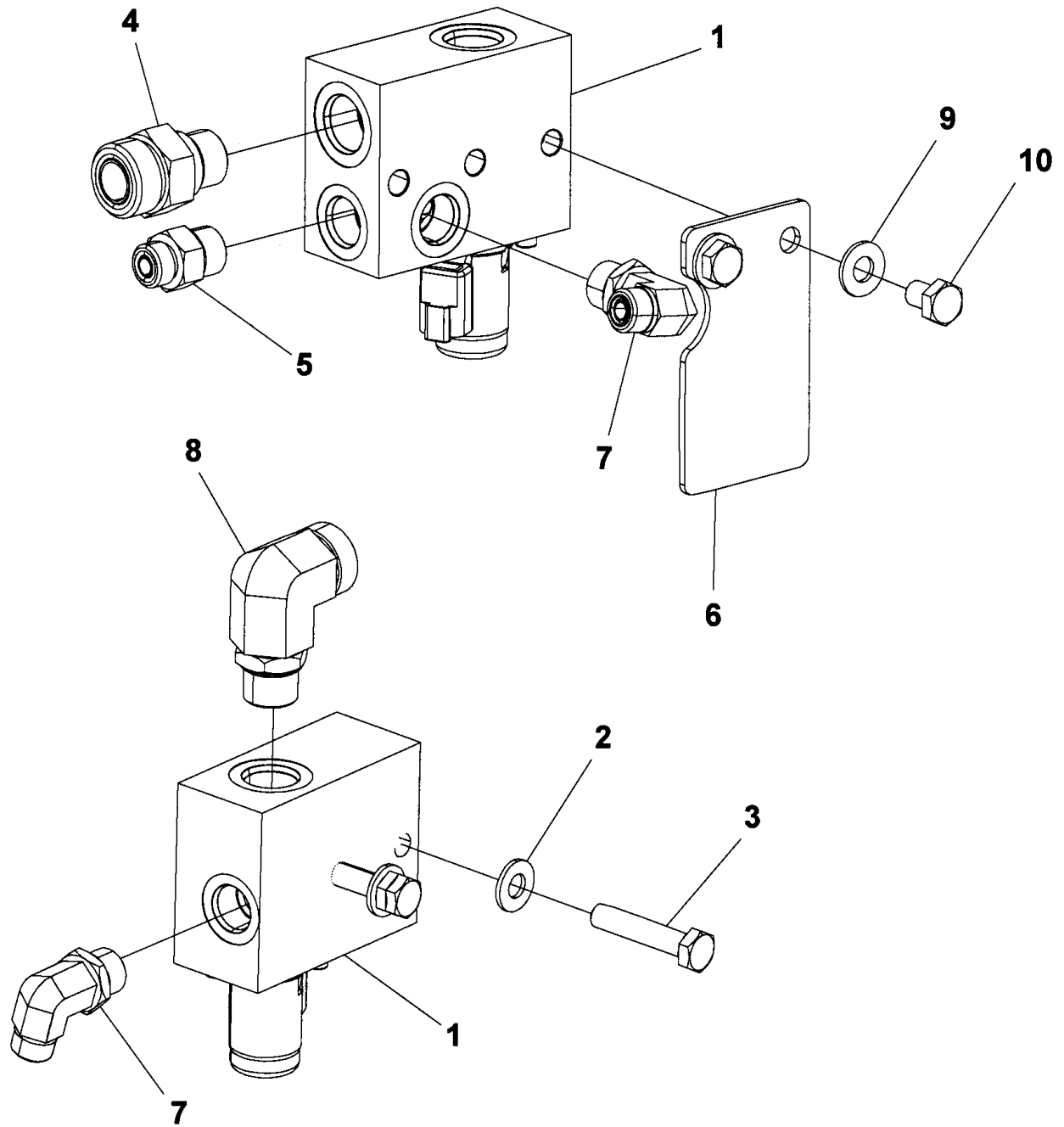
Item	Part No.	Name	Qty	L	SN INFO
1	-	Flush and boost pressure valve with orifice	1		
2	--	Retaining ring	1		
3	4812158657	Orifice	1		
4	-	Flush and boost pressure valve without orifice	1		
5	--	Housing	1		
6	--	Flushing piston	1		
7	--	Valve piston	1		
8	--	Locking screw	2		
9	--	Locking screw	1		
10	--	Washer	2		
11	--	Pressure spring	2		
12	--	Pressure spring	1		
13	--	Socket head screw	4		
14	--	Locking screw	2		
15	4812157460	O-ring	1		
16	4812157170	O-ring	2		
17	4812157184	O-ring	1		
18	4812157185	O-ring	2		
19	--	Shim	1		

**4812112215 Hydraulic motor** Cover with shaft seal ring



Item	Part No.	Name	Qty	L	SN INFO
1	-	Injector part	1		
2	4700937264	Seal ring	1		

Hydraulic system, drum Traction control - Dual speed Hydraulic valve module



Refer to Parts Online for the most up to date information. The printed information might be outdated.

Wed Nov 21 11:45:26 UTC 2018



Item	Part No.	Name	Qty	L	SN INFO
1	4812113687	Hydraulic valve	1		
2	4700904230	Steel plain washer	2		
3	4700500161	Screw	2	A	
3	4700500091	Screw	2	B	
4	4812115051	Straight connector orfs	1		
5	4700791828	Adapter	1		
6	4812114108	Bracket	1		
7	4700791840	Adapter	2		
8	4700791838	Adapter	1		
9	4700904557	Washer, 10.5x22x4 mm 300 HV	2		
10	4700500043	Screw M10x16	2		

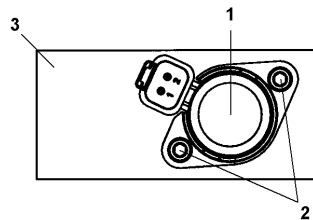
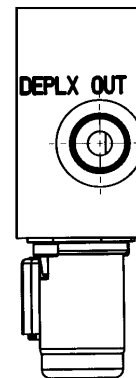
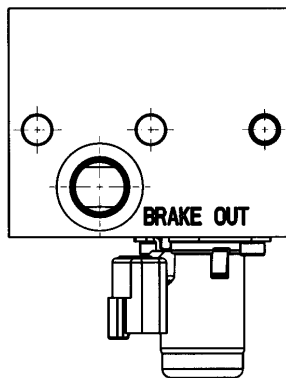
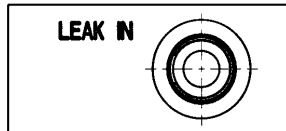
Comments for Page: Hydraulic valve module

(L)OCAL REMARKS

A | en\_US | Used with 35mm side plate.

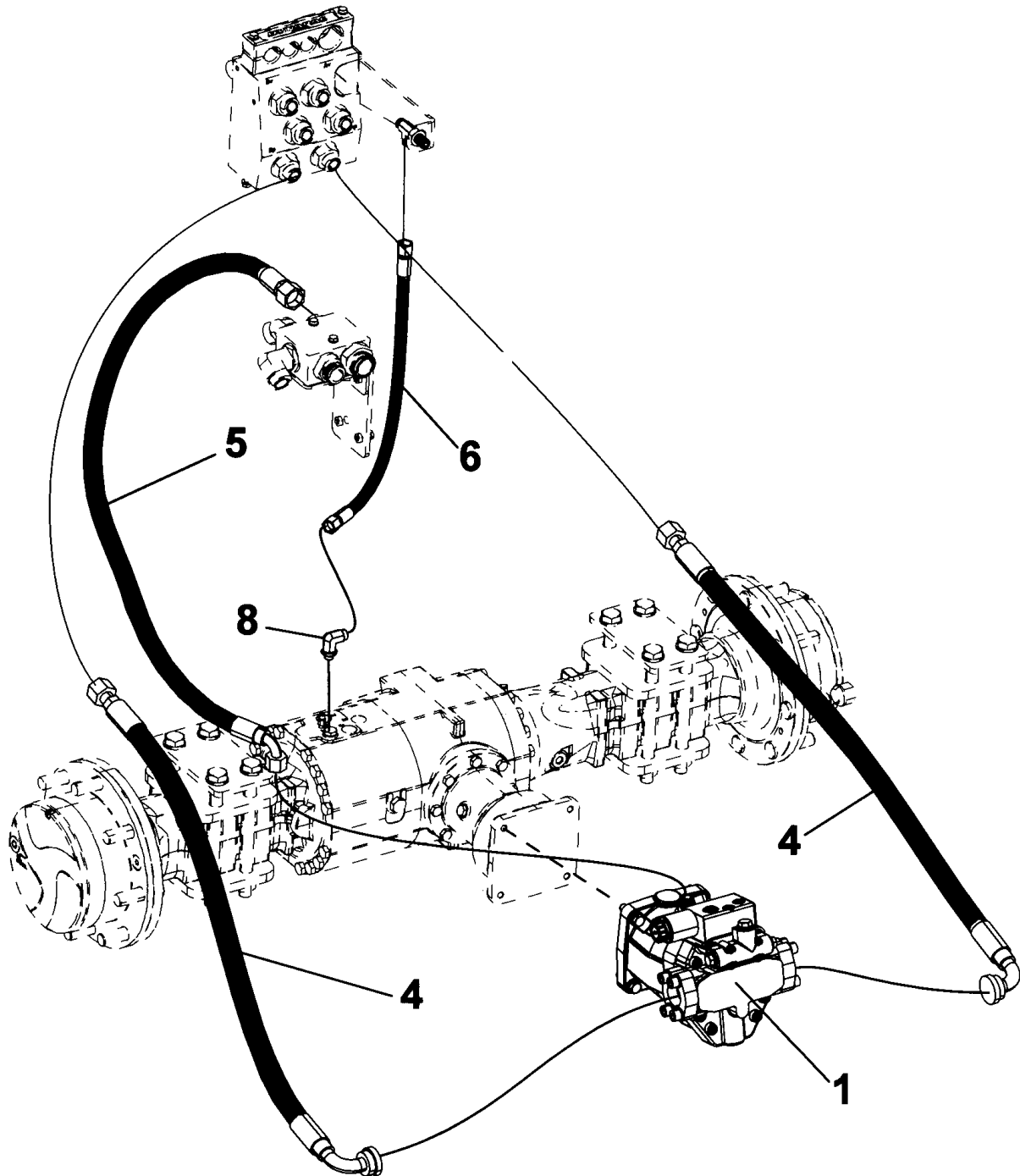
B | en\_US | Used with 40mm side plate.

Hydraulic system, drum Traction control - Dual speed 4812113687 Hydraulic valve



Item	Part No.	Name	Qty	L	SN INFO
1	4812158483	Solenoid valve	1		
2	4812158484	Cap head screw	2		
3	-	Block	1		

**Hydraulic system, rear axle Traction control - limited slip** Hydraulic system, rear axle Traction control - limited slip

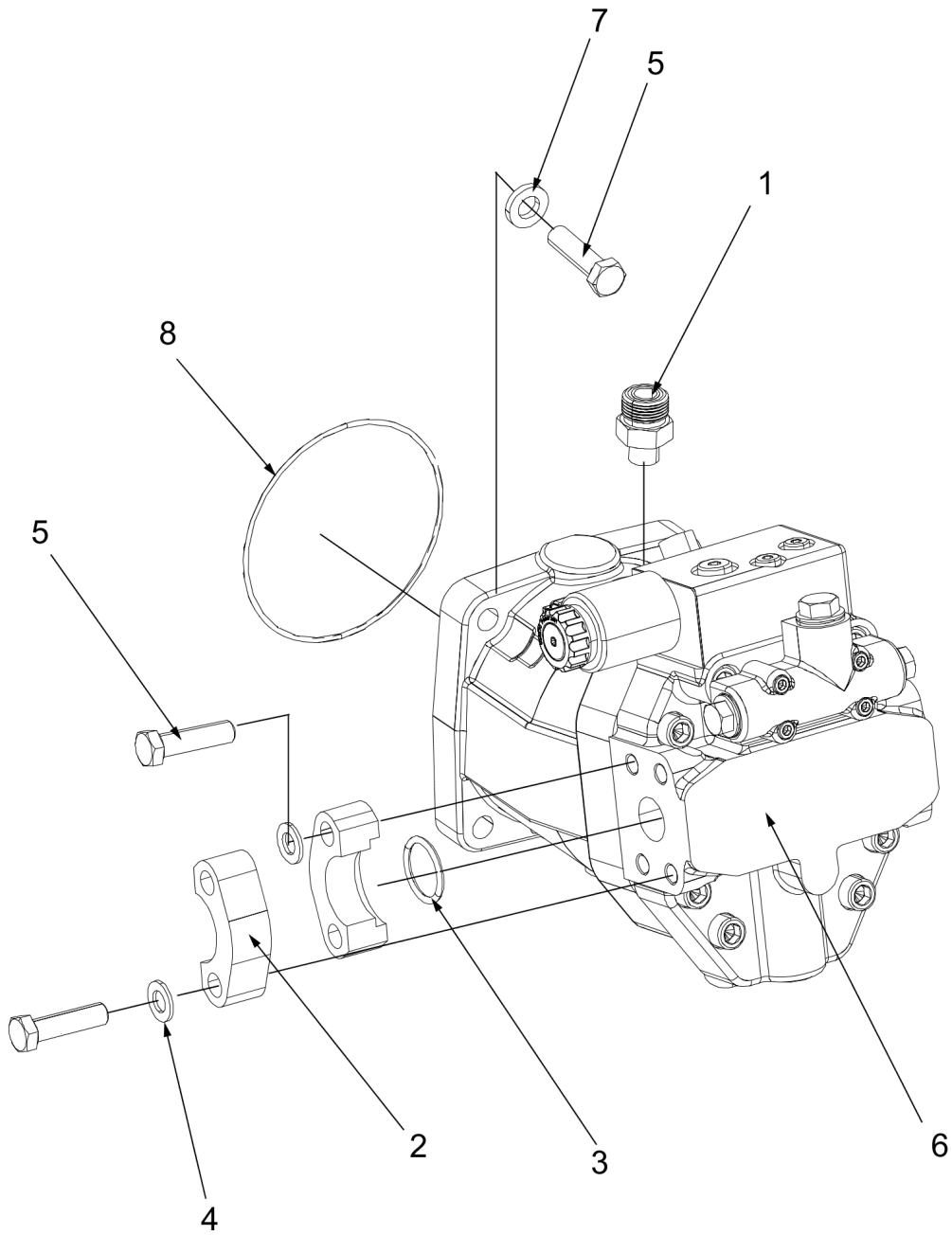


Refer to Parts Online for the most up to date information. The printed information might be outdated.

Wed Nov 21 11:45:26 UTC 2018

Item	Part No.	Name	Qty	L	SN INFO
1	-	Hydraulic motor, propulsion	1		
4	4812115303	Hydraulic hose	2		
5	4812115304	Hydraulic hose	1		
6	4812118308	Hydraulic hose	1		
8	4811000086	Elbow 90 orfs	1		

Hydraulic system, rear axle Traction control - limited slip Hydraulic motor

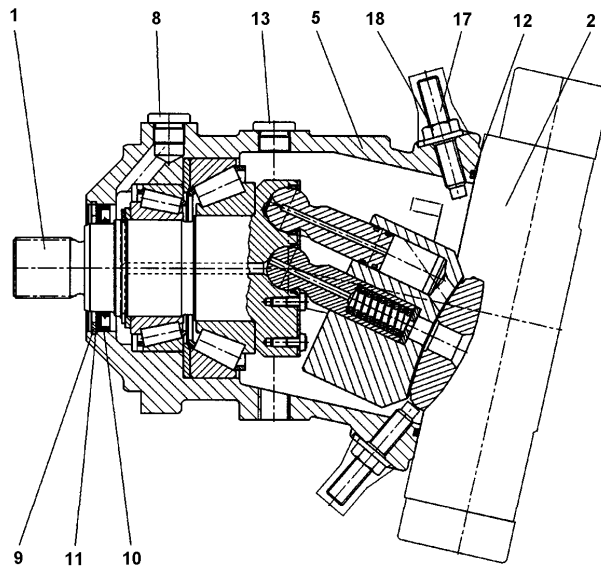


Refer to Parts Online for the most up to date information. The printed information might be outdated.

Wed Nov 21 11:45:27 UTC 2018

Item	Part No.	Name	Qty	L	SN INFO
1	4700792465	Straight connector orfs	1		
2	4700923384	Split flange	4		
3	4700904005	O-ring	2		
4	4700904638	Washer 12x22x2	8		
5	4700903906	Hexagon head screw m	12		
6	4812112204	Hydraulic motor	1		
7	4700904703	Plain washer 13x24x4 mm	4		
8	4700160157	O-ring	1		

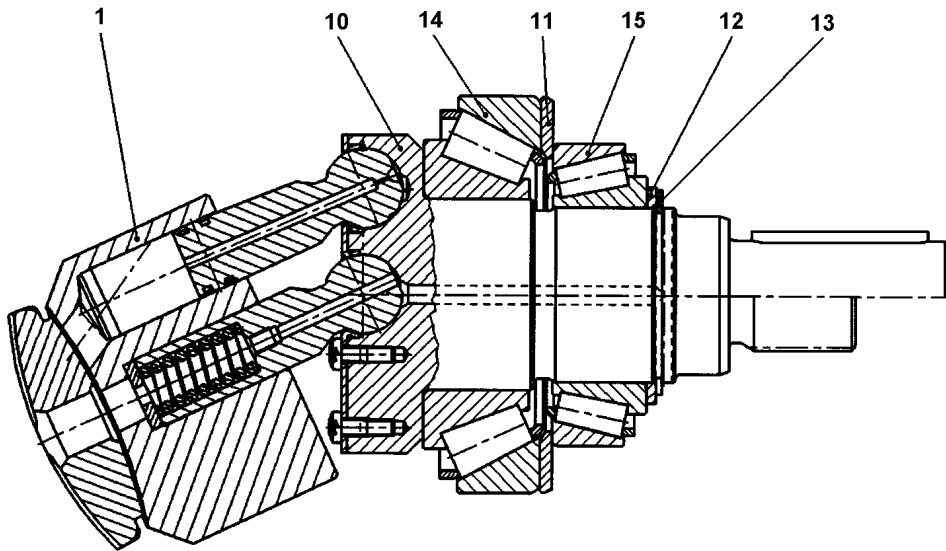
**4812112204 Hydraulic motor** 4812112204 Hydraulic motor



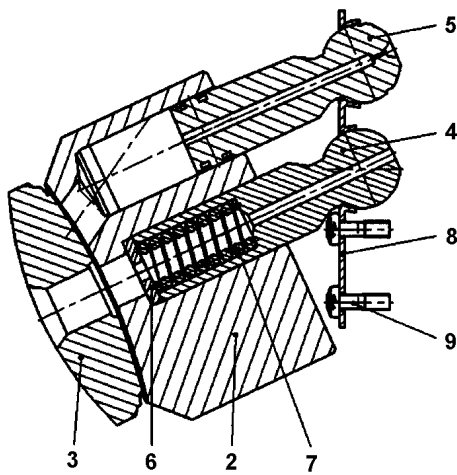


Item	Part No.	Name	Qty	L	SN INFO
1	-	Rotary group	1		
2	-	Control	1		
5	-	Housing	1		
8	-	Locking screw	1		
9	-	Retaining ring	1		
10	4812043666	Shaft seal ring	1		
11	-	Back-up plate	1		
12	4812158752	O-ring	1		
13	-	Locking screw	1		
17	-	Threaded pin	2		
18	-	Sealing nut	2		
98	4812158753	Seal kit, cpl	1		

**4812112204 Hydraulic motor Rotary group**

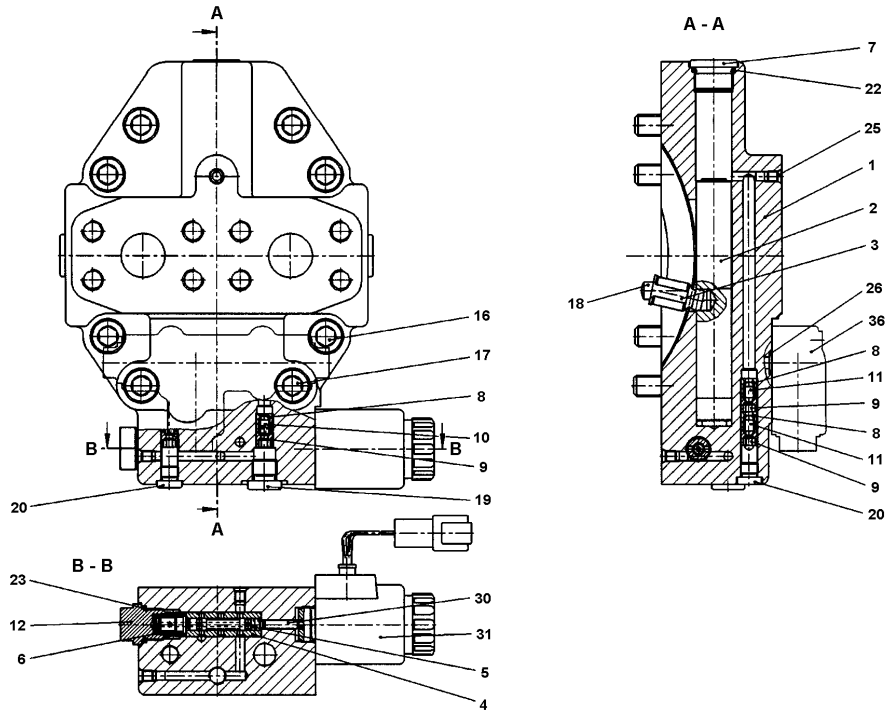


①

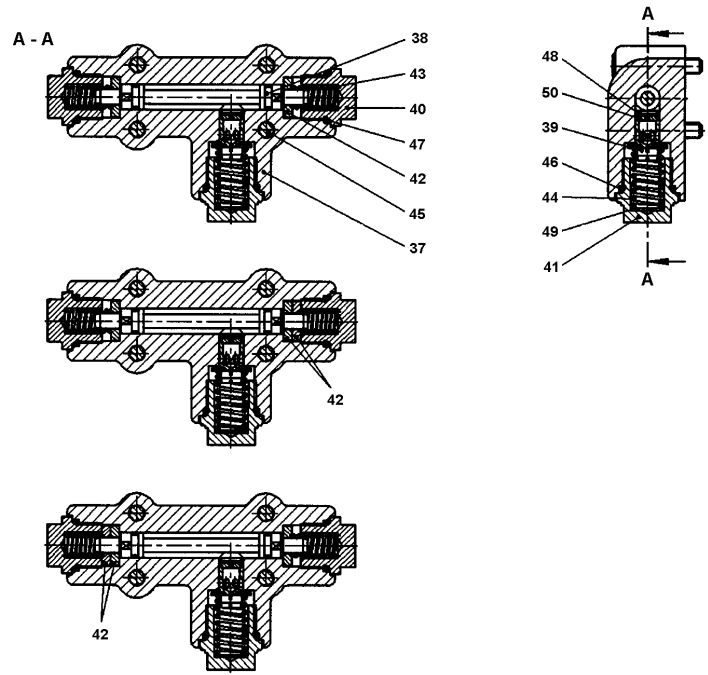


Item	Part No.	Name	Qty	L	SN INFO
1	-	Rotary group, hydraul section	1		
2	-	Cylinder	1		
3	-	Control lens	1		
4	-	Center pin	1		
5	-	Piston with piston rings	7		
6	-	Adjustment shim	1		
7	-	Pressure spring	1		
8	-	Retaining plate	1		
9	-	Pan-head screw	14		
10	-	Drive shaft	1		
11	-	Shim	1		
12	-	Back-up plate	1		
13	-	Retaining ring	1		
14	4812158754	Tapered roller bearing	1		
15	4812158755	Tapered roller bearing	1		

4812112204 Hydraulic motor Control



36

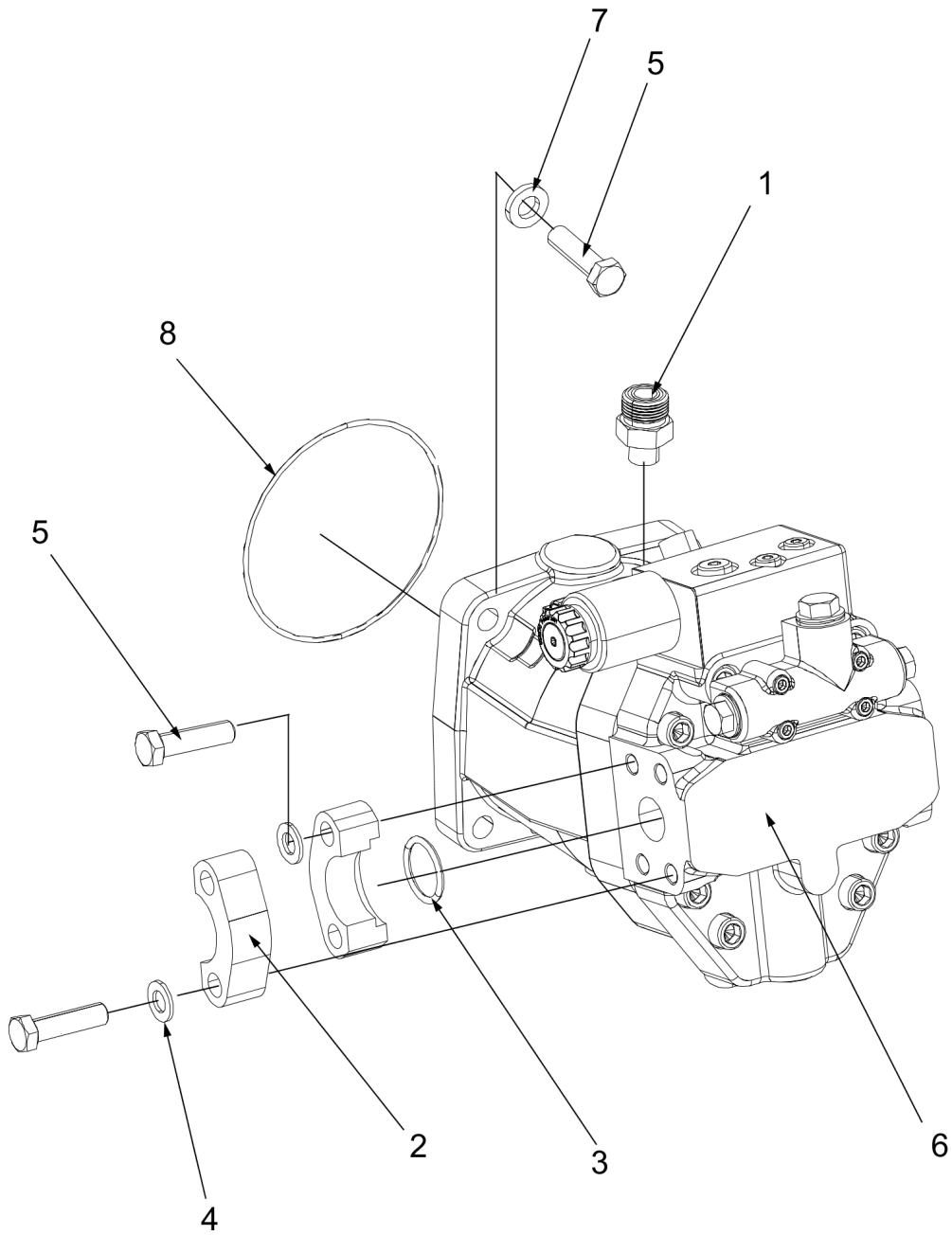


Item	Part No.	Name	Qty	L	SN INFO
1	-	Port plate	1		
2	-	Positioning piston	1		
3	-	Positioning trunnion	1		
4	-	Control bush	1		
5	-	Control piston	1		
6	-	Pressure spring	1		
7	-	Locking screw	1		
8	-	Throttle screw	3		
9	-	Throttle screw	3		
10	-	Valve pin	2		
11	-	Throttle pin	1		
12	-	Locking screw	1		
16	-	Socket head screw	6		
17	-	Socket head screw	2		
18	-	Cylinder pin	2		
19	-	Locking screw	1		
20	-	Locking screw	2		
22	4812157169	O-ring	1		
23	4812157170	O-ring	1		
25	-	Double break-off plug	4		
26	4812158756	O-ring	3		
30	-	Needle roller	1		
31	4812036305	Solenoid valve	1		
36	4812158757	Flush and boost pressure valve	1		
37	--	Flushing valve housing	1		
38	--	Flushing piston	1		
39	--	Valve piston	1		
40	--	Locking screw	2		
41	--	Locking screw	1		
42	--	Washer	2		
43	--	Pressure spring	2		
44	--	Pressure spring	1		
45	--	Socket head screw	4		
46	4812157460	O-ring	1		
47	4812157170	O-ring	2		
48	--	Retaining ring	1		
49	--	Shim	1		
50	--	Orifice	1		

Refer to Parts Online for the most up to date information. The printed information might be outdated.

Wed Nov 21 11:45:27 UTC 2018

Hydraulic system, rear axle Traction control - limited slip Hydraulic motor

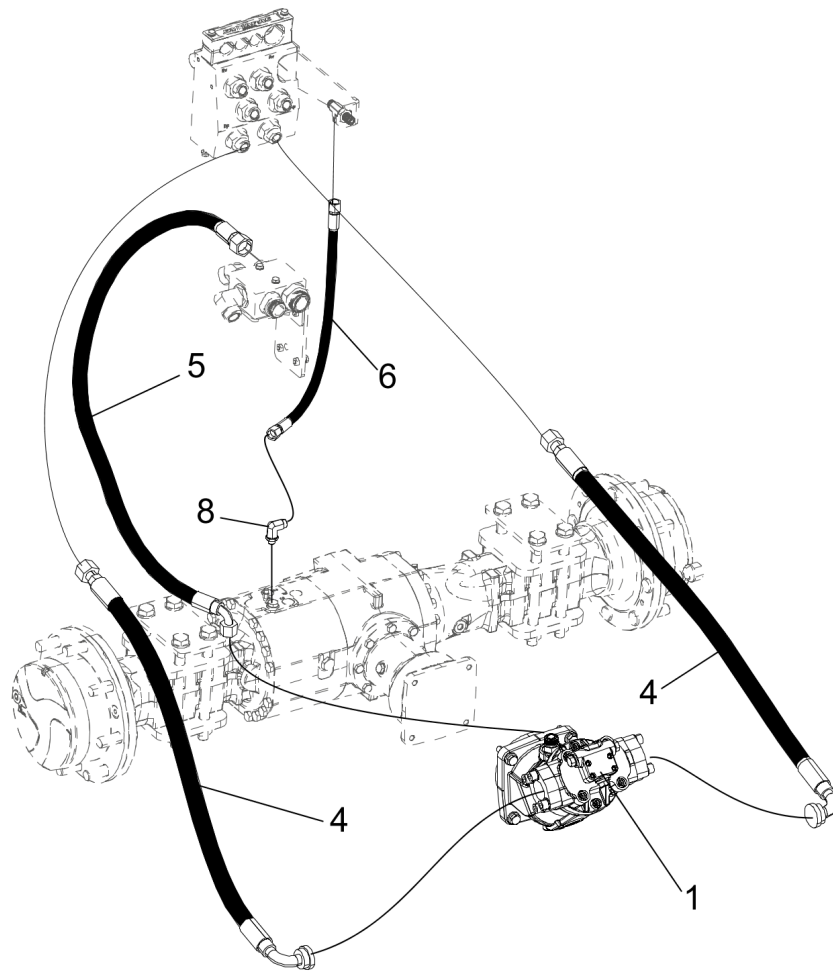


Refer to Parts Online for the most up to date information. The printed information might be outdated.

Wed Nov 21 11:45:28 UTC 2018

Item	Part No.	Name	Qty	L	SN INFO
1	4700792465	Straight connector orfs	1		
2	4700923384	Split flange	4		
3	4700904005	O-ring	2		
4	4700904638	Washer 12x22x2	8		
5	4700903906	Hexagon head screw m	12		
6	4812116236	Hydraulic motor	1		
7	4700904703	Plain washer 13x24x4 mm	4		
8	4700160157	O-ring	1		

Hydraulic system, rear axle Dual speed Hydraulic system, rear axle Dual speed



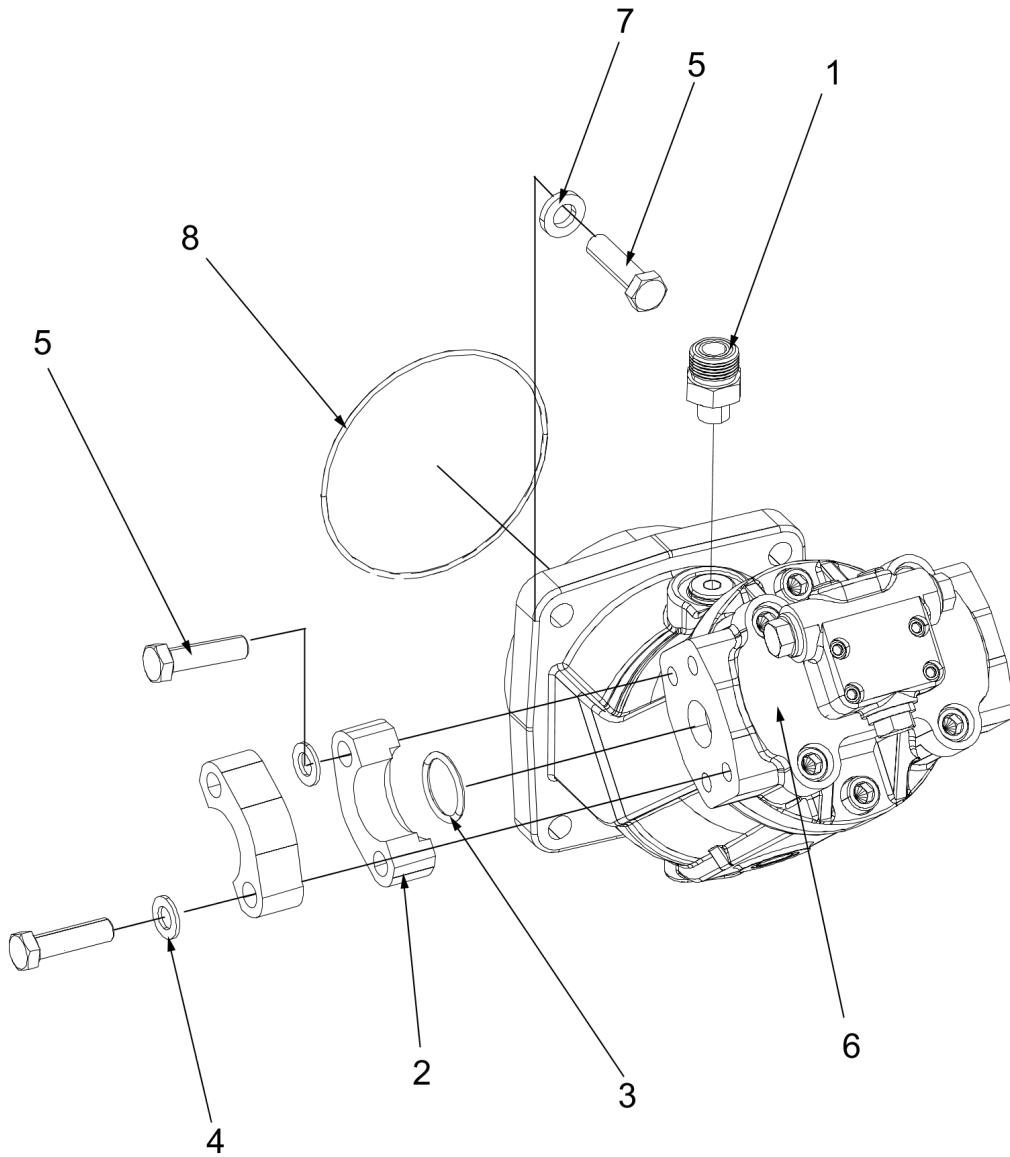
Refer to Parts Online for the most up to date information. The printed information might be outdated.

Wed Nov 21 11:45:28 UTC 2018



Item	Part No.	Name	Qty	L	SN INFO
1	-	Hydraulic motor, propulsion	1		
4	4812127132	Hydraulic hose	2		
5	4812115304	Hydraulic hose	1		
6	4812118308	Hydraulic hose	1		
8	4811000086	Elbow 90 orfs	1		

Hydraulic system, rear axle Dual speed Hydraulic motor

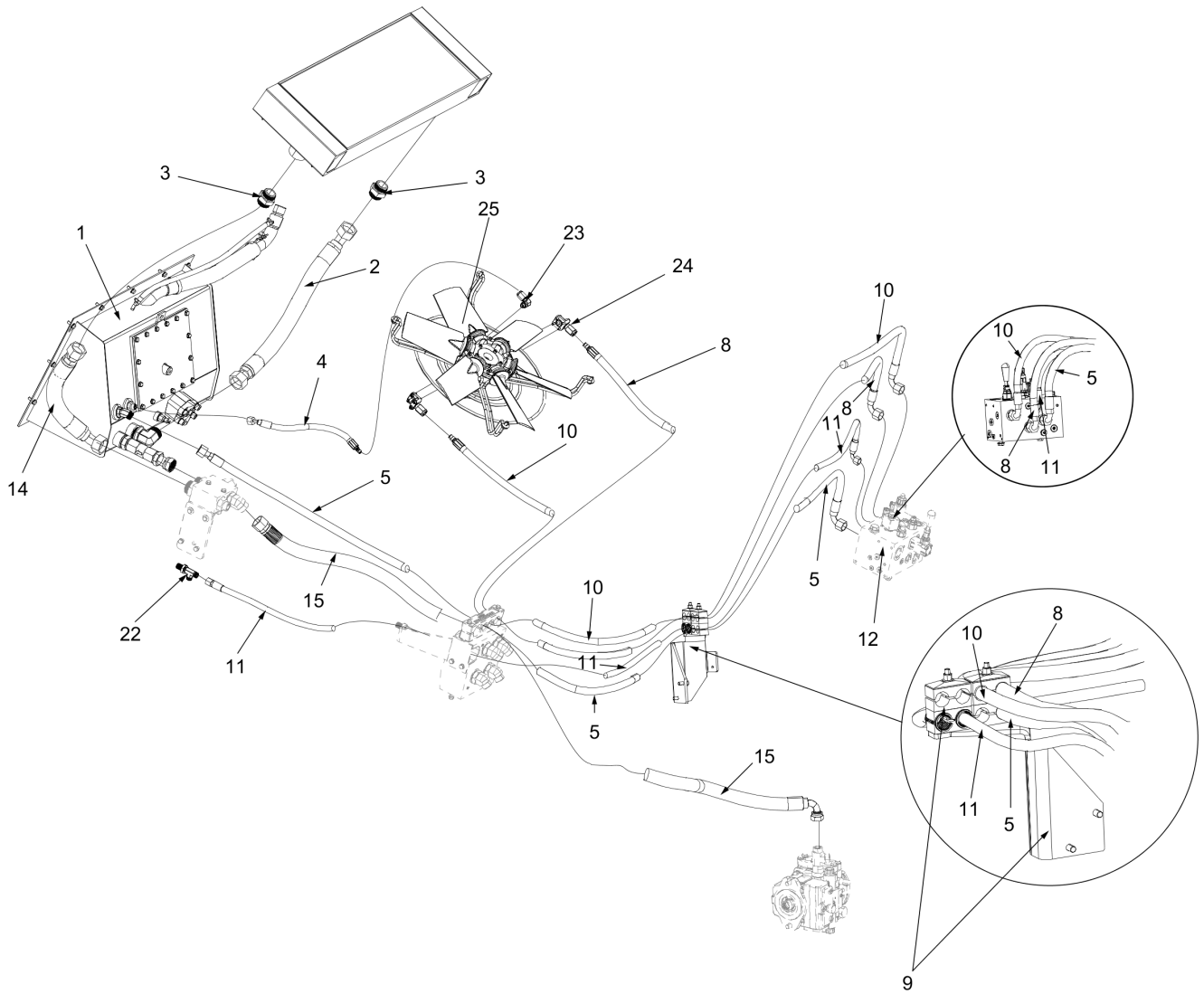


Refer to Parts Online for the most up to date information. The printed information might be outdated.

Wed Nov 21 11:45:28 UTC 2018

Item	Part No.	Name	Qty	L	SN INFO
1	4700792465	Straight connector orfs	1		
2	4700923384	Split flange	4		
3	4700904005	O-ring	2		
4	4700904638	Washer 12x22x2	8		
5	4700903906	Hexagon head screw m	12		
6	4812112203	Hydraulic motor	1		
7	4700904703	Plain washer 13x24x4 mm	4		
8	4700160157	O-ring	1		

Hydraulic system, oil tank Hydraulic system, oil tank

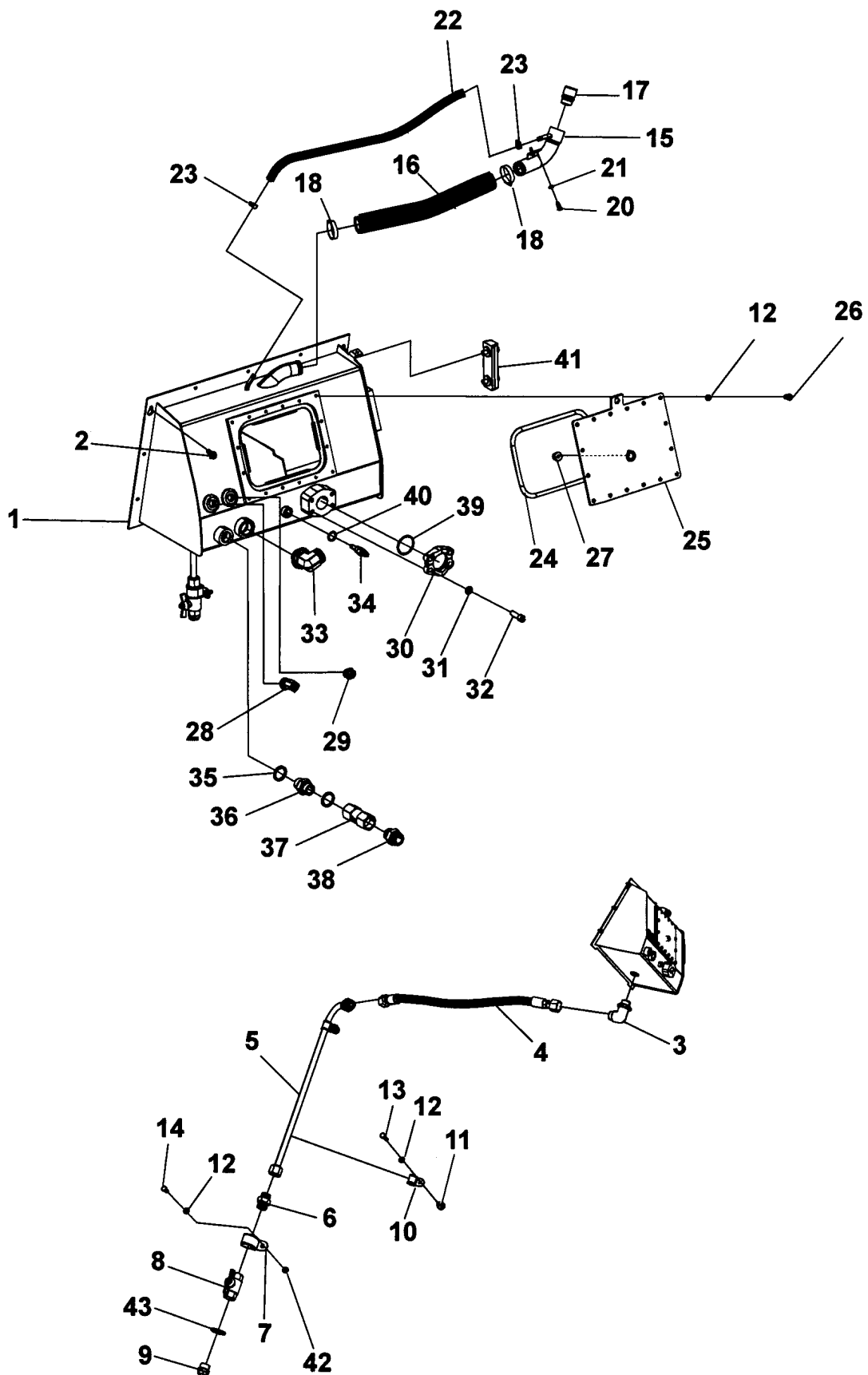


Refer to Parts Online for the most up to date information. The printed information might be outdated.

Wed Nov 21 11:45:29 UTC 2018

Item	Part No.	Name	Qty	L	SN INFO
1	-	Hydraulic oil tank assembly	1		
2	4812115352	Hydraulic hose	1		
3	4812112555	Adapter	2		
4	4812117478	Hydraulic hose	1		
5	4812115357	Hydraulic hose	1		
8	4812117480	Hydraulic hose	1		
10	4812117479	Hydraulic hose	1		
9	-	Hose holder	1		
11	4812115358	Hydraulic hose	1		
12	-	Hydraulic valve module	1		
14	4812115353	Hydraulic hose	1		
15	4812115086	Hydraulic hose	1		
16	4700500042	Hex. head screw M8	1		
17	4700923008	Clamp	1		
18	4700389784	Spacer sleeve	1		
19	4812118684	Bracket	1		
20	4700904230	Steel plain washer	1		
21	4700500078	Hex. screw	1		
22	4812114492	Bulkhead union	1		
23	4812117434	Connector uptc	1		
24	4812117676	Connector uptc	2		
25	-	Fan module	2		

**Hydraulic system, oil tank** Hydraulic oil tank assembly



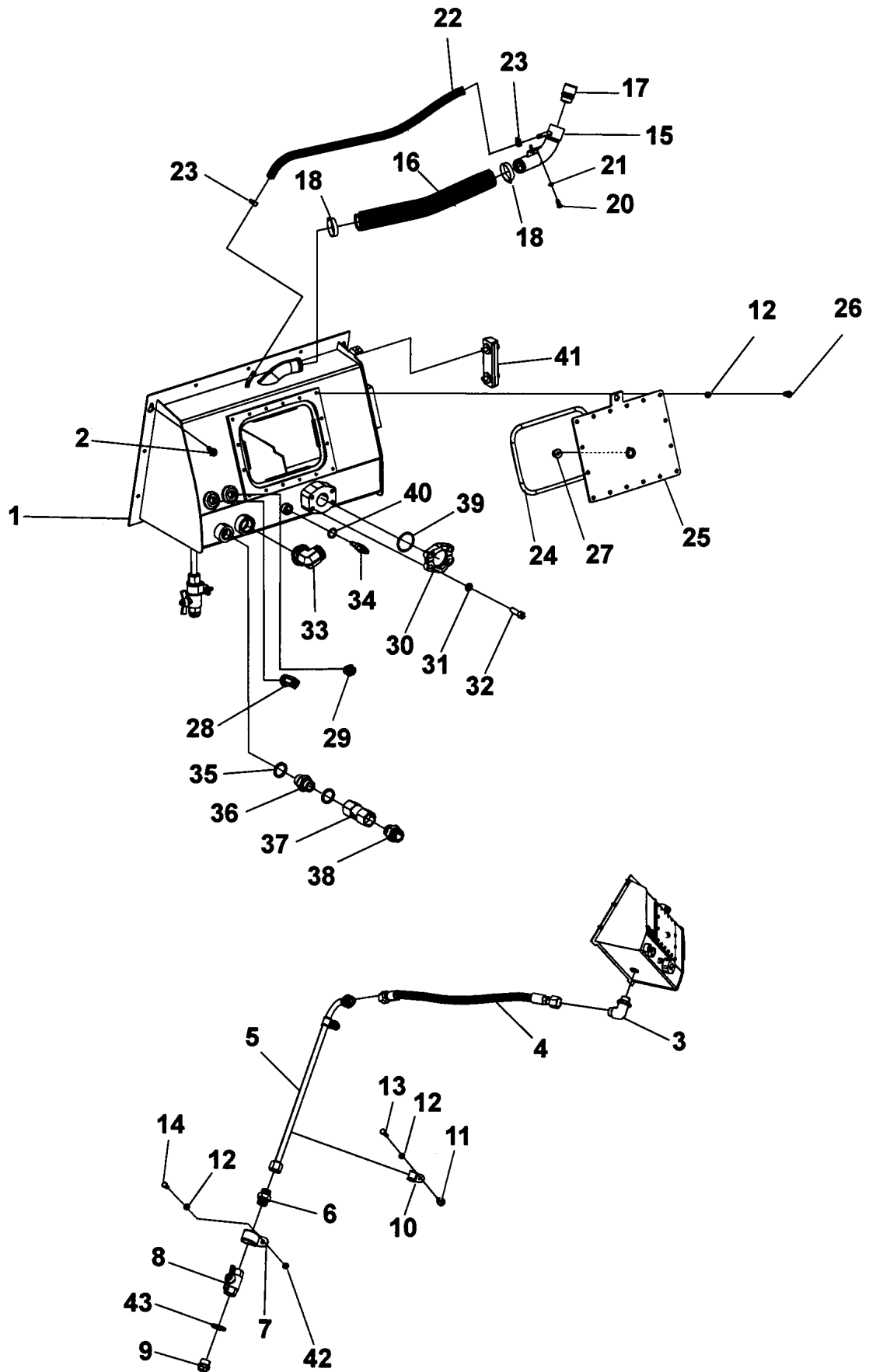
Refer to Parts Online for the most up to date information. The printed information might be outdated.

Wed Nov 21 11:45:29 UTC 2018

Item	Part No.	Name	Qty	L	SN INFO
1	4812118960	Hydraulic oil tank, cpl	1	A	
2	4700500505	Screw, M8x20 mm 8.8 A2K	9		
3	4700792068	Elbow 90°	1		
4	4811000202	Hydraulic hose	1		
5	4812114205	Hydraulic pipe	1		
6	0570702503	Straight connector	1		
7	4700923008	Clamp	1		
8	4700233304	Ball valve	1		
9	4700232039	Steel plug threaded	1		
10	4700904346	Clamp	2		
11	4700343748	Spacer sleeve	2		
12	4700904229	Washer, 8.4x 6x1.5 mm 300HV	19	D	
13	4700500022	Screw	2		
14	4700500053	Screw, M8x20 mm 8.8 A2K	1		
15	4812112648	Pipe assembly	1		
16	4812116645	Rubber hose	1		
17	4700357138	Ventilating filter	1		
18	4700313009	Hose clamp	2		
20	4700500013	Screw, M6x16 mm 8.8 A2K	2		
21	4700904228	Washer 6,4x12x1,5	2		
22	4700904985	Fuel hose, fire-resistant	1XL	B	
23	4700313001	Hose clamp, 11-18 x 9 mm	2		
24	4700390926	O-ring	1	C	
25	4812118961	Cover	1	C	
26	4700500019	Hexagon screw	16	C	
27	4700792295	Steel plug	1	C	
28	4700792809	Elbow 90 orfs	1		
29	4700791405	Straight o-ring connector	1		
30	4700232118	Flange	2		
31	4700904638	Washer 12x22x2	4		
32	4700508063	Screw, M12x40 mm 8.8	4		
33	4812112556	Connector elbow 90 orfs	1		
34	4700792276	Temperature sensor	1		
35	4700162008	Seal washer	2		
36	4700792264	Straight connector	1		
37	4700374059	Check valve	1		
38	4700792338	Adapter	1		
39	4700160191	O-ring	1		

Refer to Parts Online for the most up to date information. The printed information might be outdated.

Wed Nov 21 11:45:29 UTC 2018



Refer to Parts Online for the most up to date information. The printed information might be outdated.

Wed Nov 21 11:45:29 UTC 2018



Item	Part No.	Name	Qty	L	SN INFO
40	4700330331	Washer 18,2x23,9x1,5	1		
41	4700989151	Oil level glass	1		
42	4700904556	Steel plain washer 8,4x16x3,0	1		
43	4700791120	Washer sealing	1		

Comments for Page: Hydraulic oil tank assembly

(L)OCAL REMARKS

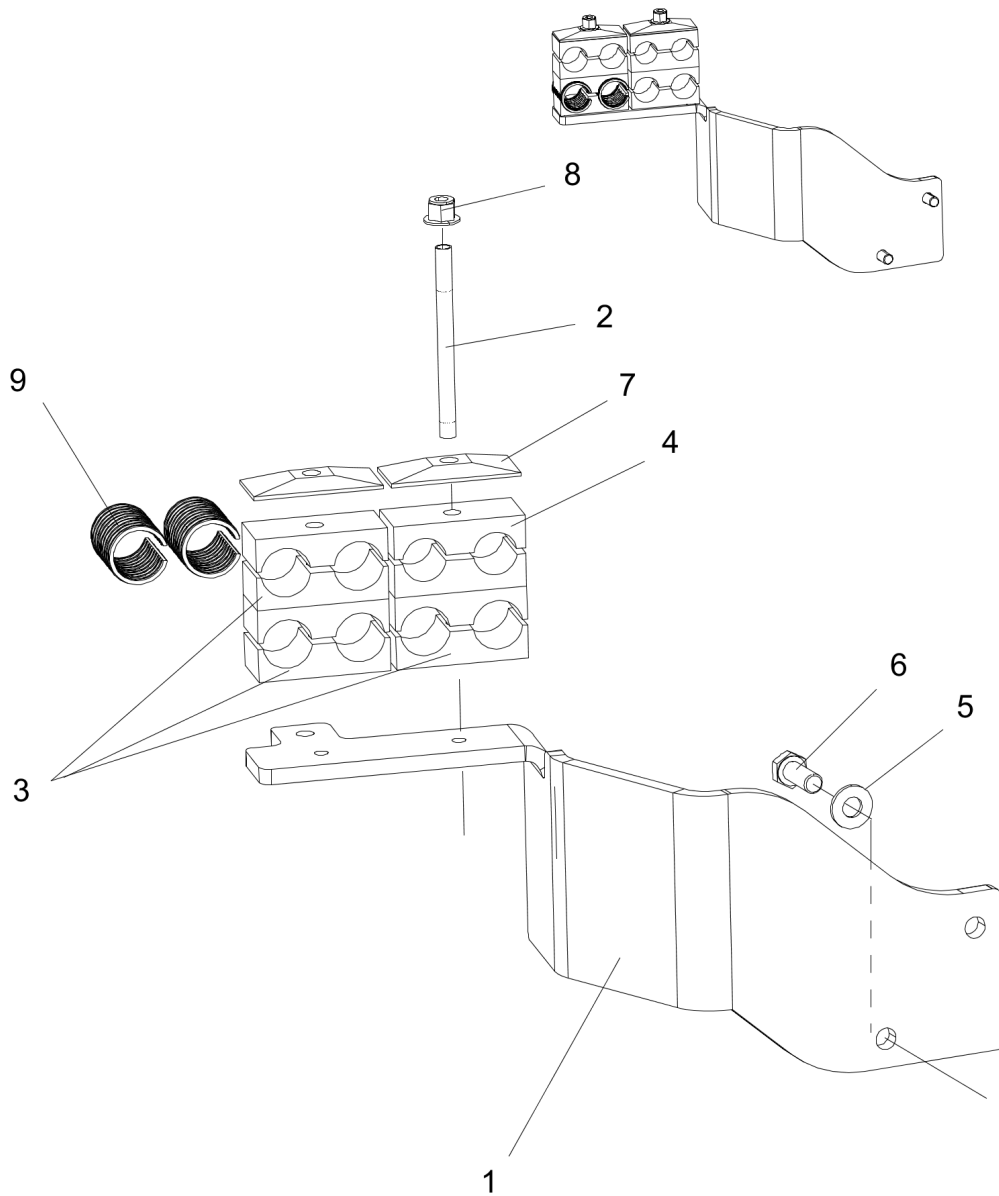
A | en\_US | Includes item 24, 25, 26, 27 and 12 (16 pcs).

B | en\_US | L=0.68m

C | en\_US | Part of item 1.

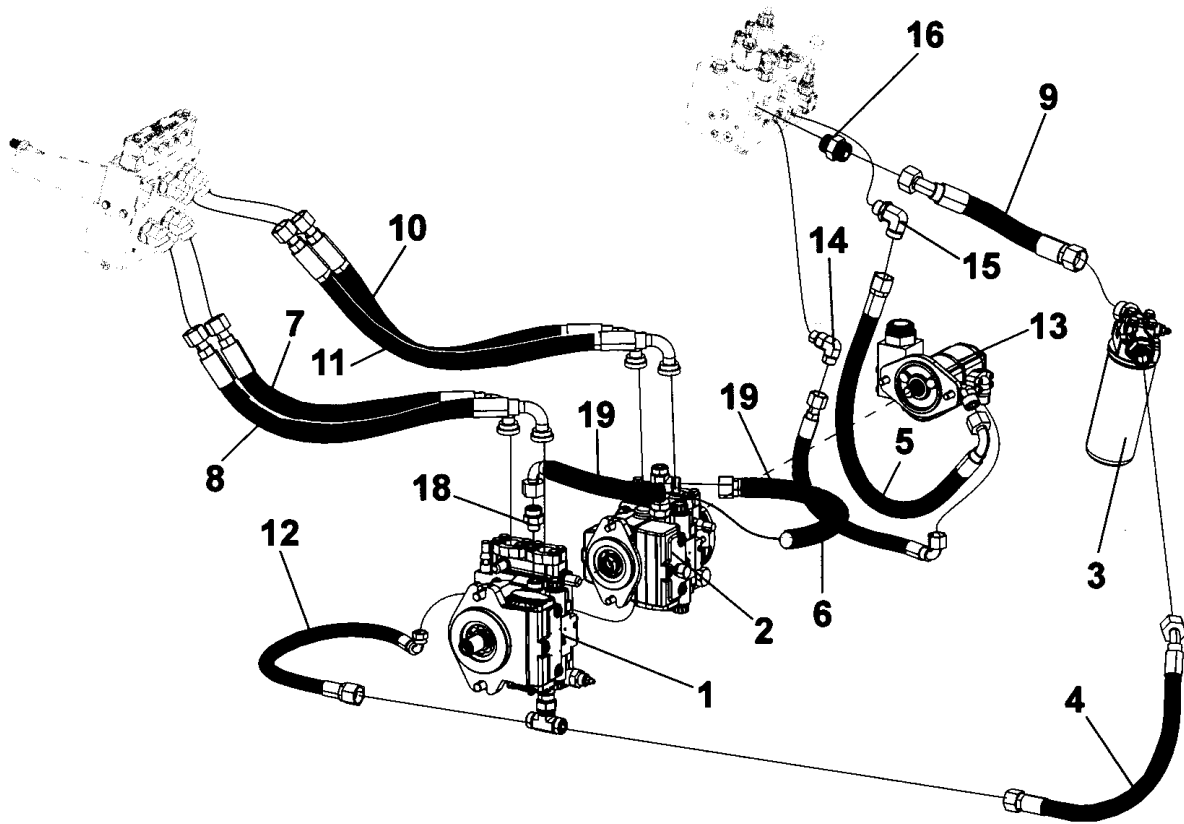
D | en\_US | 16 pcs part of item 1.

**Hydraulic system, oil tank** Hose holder



Item	Part No.	Name	Qty	L	SN INFO
1	4812115862	Bracket	1		
2	4700791807	Stud	2		
3	4700287295	Clamp	2		
4	4700903456	Pipe clamp	1		
5	4700904230	Steel plain washer	2		
6	4700500028	Hex Head screw	2		
7	4700904872	Cover plate	2		
8	4700902286	Lock nut, M8x1.25 mm A2K	2		
9	4812113941	Hose holder clip	2		

Hydraulic system, engine room Hydraulic system, engine room



Refer to Parts Online for the most up to date information. The printed information might be outdated.

Wed Nov 21 11:45:30 UTC 2018

Item	Part No.	Name	Qty	L	SN INFO
1	4812112169	Hydraulic pump, propulsion	1	A	
2	4812112172	Hydraulic pump, vibration	1	B	
3	-	Hydraulic oil filter assy	1		
4	4812115366	Hydraulic hose	1		
5	4812117781	Hydraulic hose	1		
6	4812117782	Hydraulic hose	1		
7	4812127130	Hydraulic hose	1	C	
8	4812127131	Hydraulic hose	1	D	
9	4812117787	Hydraulic hose	1		
10	4812127124	Hydraulic hose	1	E	
11	4812127125	Hydraulic hose	1	F	
12	4812120132	Hydraulic hose	1		
13	-	Hydraulic pump module	1		
14	4700791843	Elbow 90, O-ring with swivel	1		
15	4700791231	Adapter	1		
16	4700792339	Adapter	1		
18	4700792336	Straight connector orfs	1		
19	4812120135	Hydraulic hose	1		

Comments for Page: Hydraulic system, engine room

(L)OCAL REMARKS

A | en\_US | Propulsion pump

B | en\_US | Vibration pump

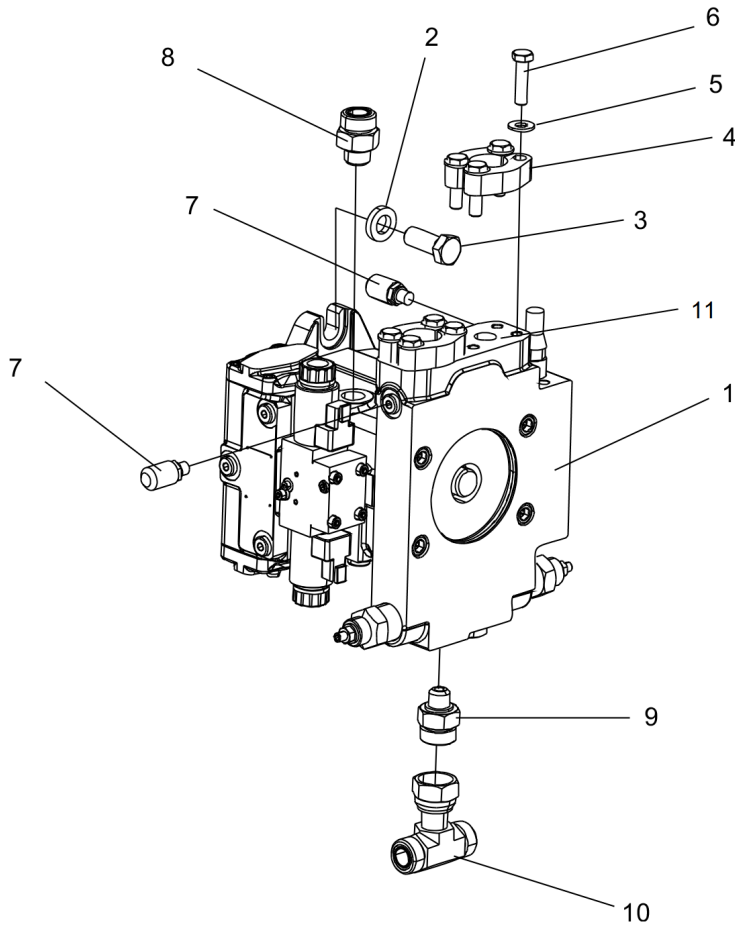
C | en\_US | Port AO

D | en\_US | Port BP

E | en\_US | Port BV

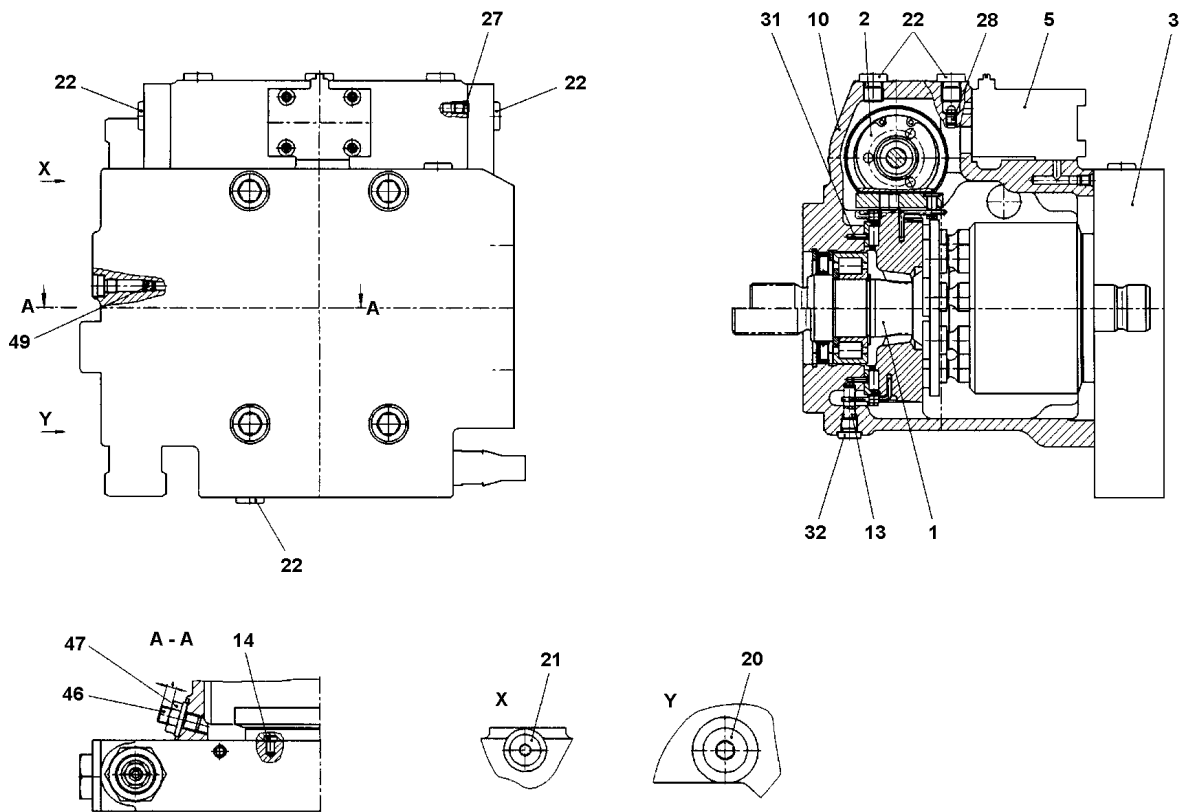
F | en\_US | Port AV

Hydraulic system, engine room Hydraulic pump module



Item	Part No.	Name	Qty	L	SN INFO
1	4812112169	Hydraulic pump, propulsion	1		
2	4700904558	Washer, 17x30x6 mm 300 HV	2		
3	4700500093	Hex. screw	2		
4	4700929226	Flange half	4		
5	4700904637	Washer	8		
6	4700508080	Screw	8		
7	4700901157	Measuring nipple	2		
8	4700792336	Straight connector orfs	1		
9	4700792335	Straight connector orfs	1		
10	4700791831	Tee-connector	1		
11	4700904004	O-ring 90	2		

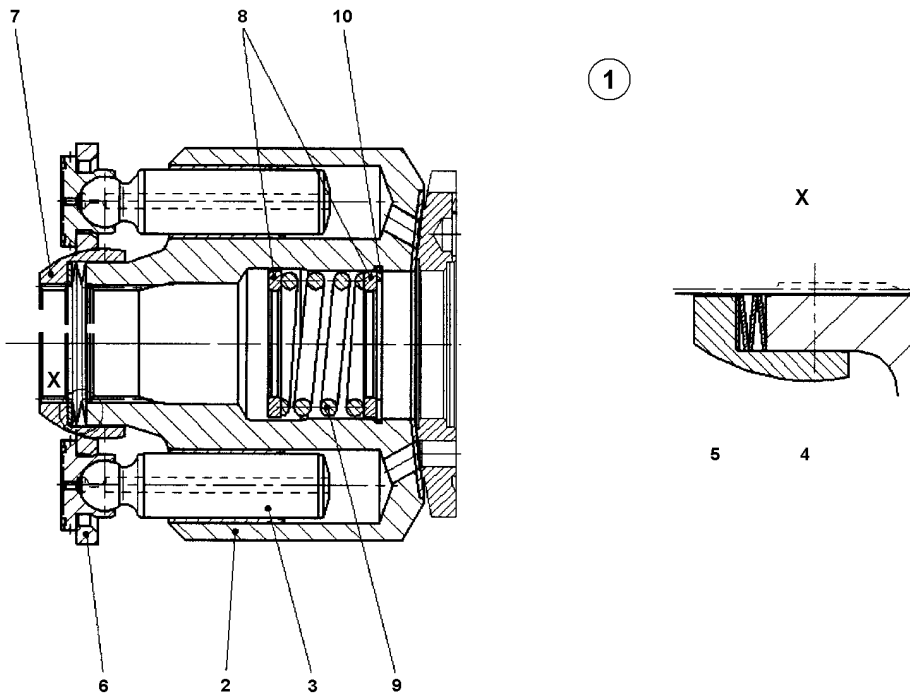
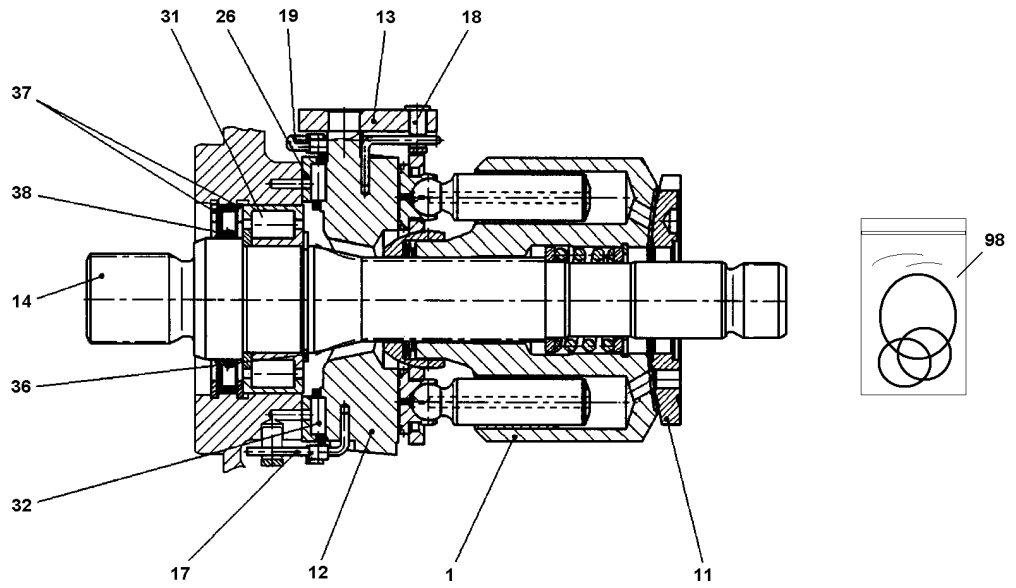
**4812112169 Hydraulic pump, propulsion** 4812112169 Hydraulic pump, propulsion





Item	Part No.	Name	Qty	L	SN INFO
0	4812112169	Hydraulic pump, propulsion	1		
1	-	Rotary group	1		
2	-	Hydraulic control	1		
3	-	Port plate with valves	1		
5	-	Control module	1		
10	--	Housing	1		
13	--	Joint pin	1		
14	--	Dowel pin	1		
20	--	Locking screw	1		
21	--	Locking screw	1		
22	--	Locking screw	4		
27	--	Double break-off plug	2		
28	4812158198	Orifice	2		
31	--	Clamping pin	2		
32	--	Locking screw	1		
46	--	Threaded pin	1		
47	--	Sealing nut	1		
49	4700936313	Orifice	1		
98	4700940675	Seal kit	1		

4812112169 Hydraulic pump, propulsion Rotary group

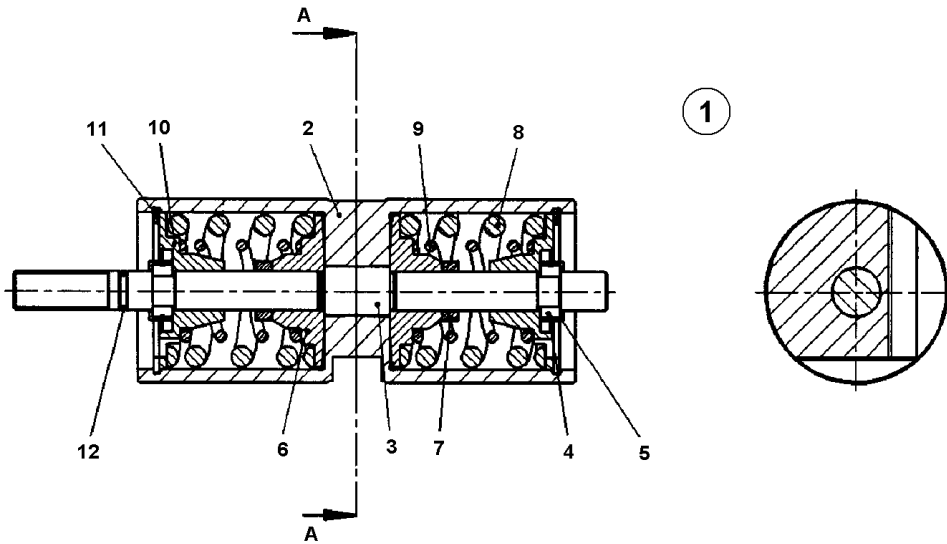
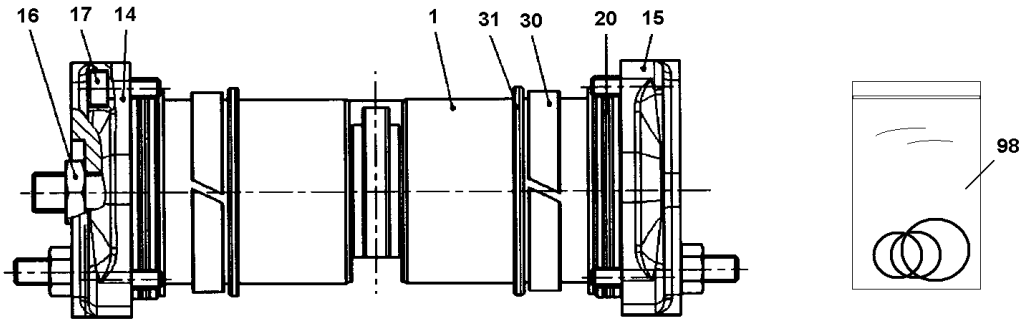


Refer to Parts Online for the most up to date information. The printed information might be outdated.

Wed Nov 21 11:45:31 UTC 2018

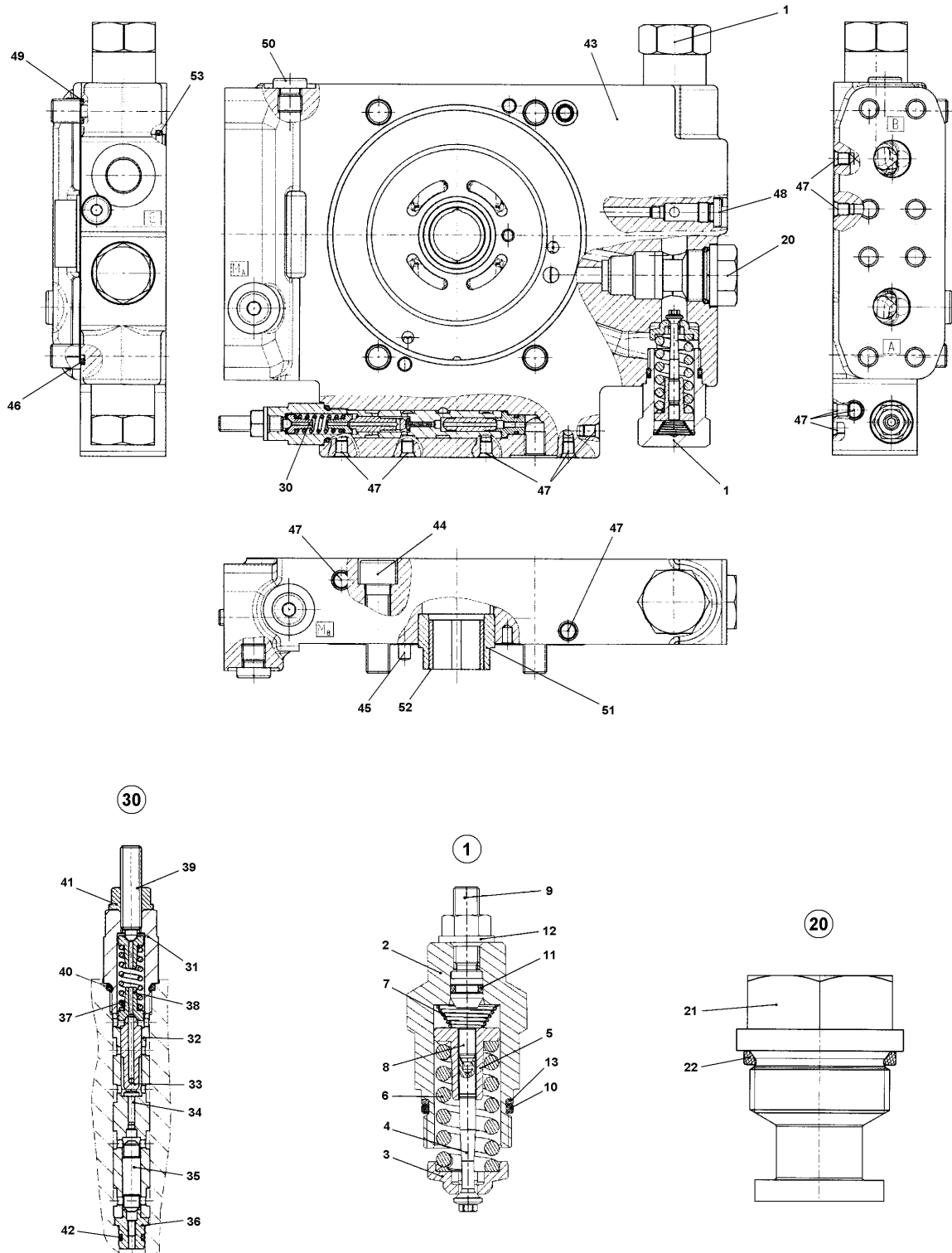
Item	Part No.	Name	Qty	L	SN INFO
1	-	Rotary group, hydraulic section	1		
2	--	Cylinder with bush	1		
3	--	Piston-slipper pad	9		
4	--	Cup spring stack	1		
5	--	Shim	1		
6	--	Retaining plate	1		
7	--	Retaining ball	1		
8	--	Washer	2		
9	--	Pressure spring	1		
10	--	Retaining ring	1		
11	-	Control plate	1		
12	-	Cradle	1		
13	-	Slide ring	1		
14	-	Drive shaft	1		
17	-	Wire	1		
18	-	Joint pin	1		
19	-	Wire	1		
26	4700937182	Bearing liner, 1 pair	1		
31	4700937185	Bearing	1		
32	4700937186	Cradle bearing assembly, 1 set	1		
36	-	Retaining ring	1		
37	4812158774	Seeger-v-ring	2		
38	4700937189	Seal ring	1		
98	4812158775	Seal kit, drive shaft	1		

4812112169 Hydraulic pump, propulsion Hydraulic control



Item	Part No.	Name	Qty	L	SN INFO
1	-	Positioning piston, cpl	1		
2	--	Positioning piston	1		
3	--	Rod	1		
4	--	Cover	2		
5	--	Assembly ring	2		
6	--	Spring collar	2		
7	--	Spacer ring	2		
8	--	Pressure spring	2		
9	--	Pressure spring	2		
10	--	Spring collar	2		
11	--	Retaining ring	2		
12	4812157151	O-ring	1		
14	-	Injector part	1		
15	-	Injector part	1		
16	-	Hexagon nut	1		
17	-	Socket head screw	8		
20	4812157859	O-ring	2		
30	4700938003	Guide ring	2		
31	4812157860	Rod seal kit	2		
98	4700908370	Seal kit, hydraulic control	1		

**4812112169 Hydraulic pump, propulsion Port plate with valves**



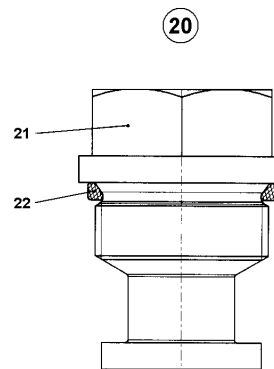
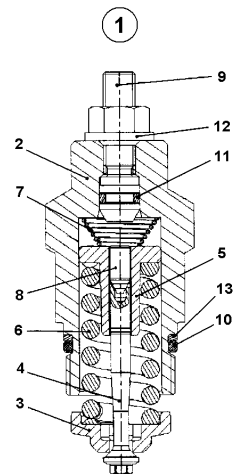
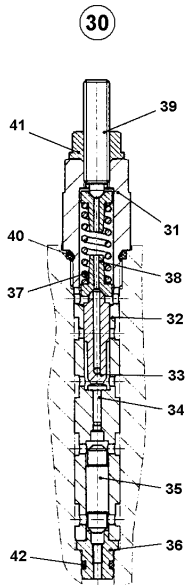
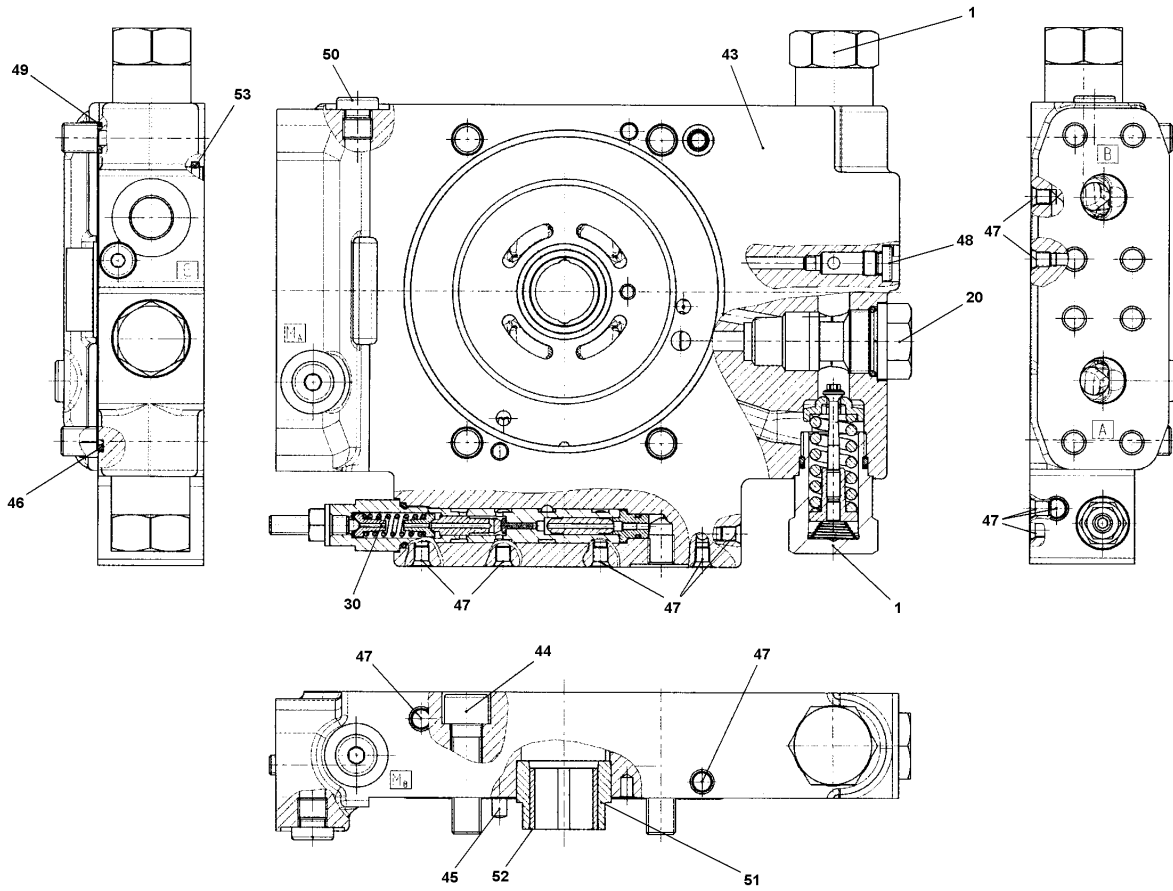
Refer to Parts Online for the most up to date information. The printed information might be outdated.

Wed Nov 21 11:45:32 UTC 2018

Item	Part No.	Name	Qty	L	SN INFO
1	4812157796	Pressure relief valve	2		
2	--	Locking screw	1		
3	--	Valve collar	1		
4	--	Valve spindle	1		
5	--	Spring loading nut	1		
6	--	Pressure spring	1		
7	--	Spring, cone-shaped	1		
8	--	Threaded pin	1		
9	--	Adjustment bolt	1		
10	4700927278	O-ring	1		
11	--	O-ring	1		
12	--	Sealing nut	1		
13	4812157799	Back-up ring	1		
20	4812158770	Locking set with orifice	1		
21	--	Locking screw	1		
22	4700927278	O-ring	1		
30	4812157861	Pressure override valve	1		
31	--	Locking screw	1		
32	--	Valve bushing	1		
33	--	Control piston	1		
34	--	Piston	1		
35	--	Valve piston	1		
36	--	Poppet seat	1		
37	--	Pressure spring	1		
38	--	Spring collar	2		
39	--	Adjusting screw	1		
40	4700902783	O-ring	1		
41	--	Sealing nut	1		
42	4812157097	O-ring	1		
43	-	Port plate	1		
44	-	Socket head screw	4		
45	-	Cylinder pin	2		
46	4812158776	O-ring	1		
47	-	Double break-off plug	7		
48	-	Locking screw	1		
49	4812157151	O-ring	1		
50	-	Locking screw	2		
51	-	Bush	1		

Refer to Parts Online for the most up to date information. The printed information might be outdated.

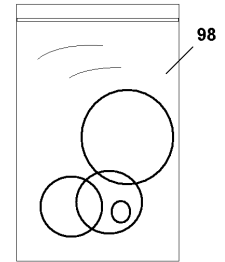
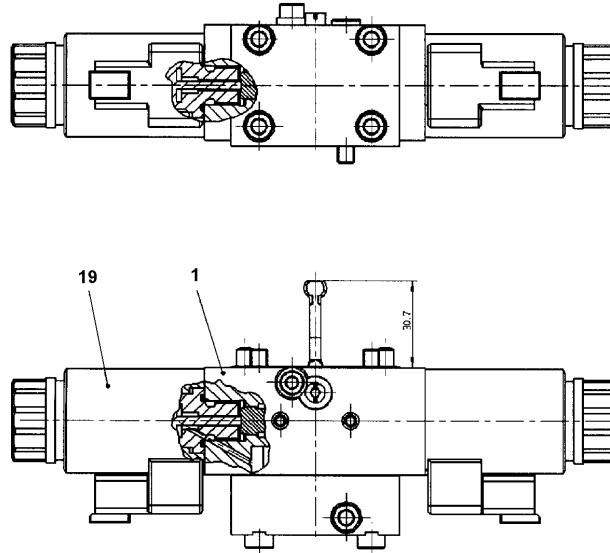
Wed Nov 21 11:45:32 UTC 2018



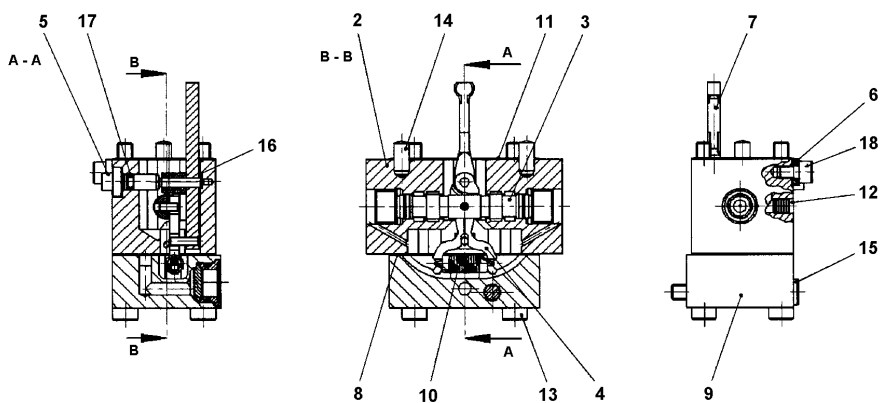


Item	Part No.	Name	Qty	L	SN INFO
52	-	Bearing bushing	1		
53	4812158251	O-ring	1		

**4812112169 Hydraulic pump, propulsion Control module**

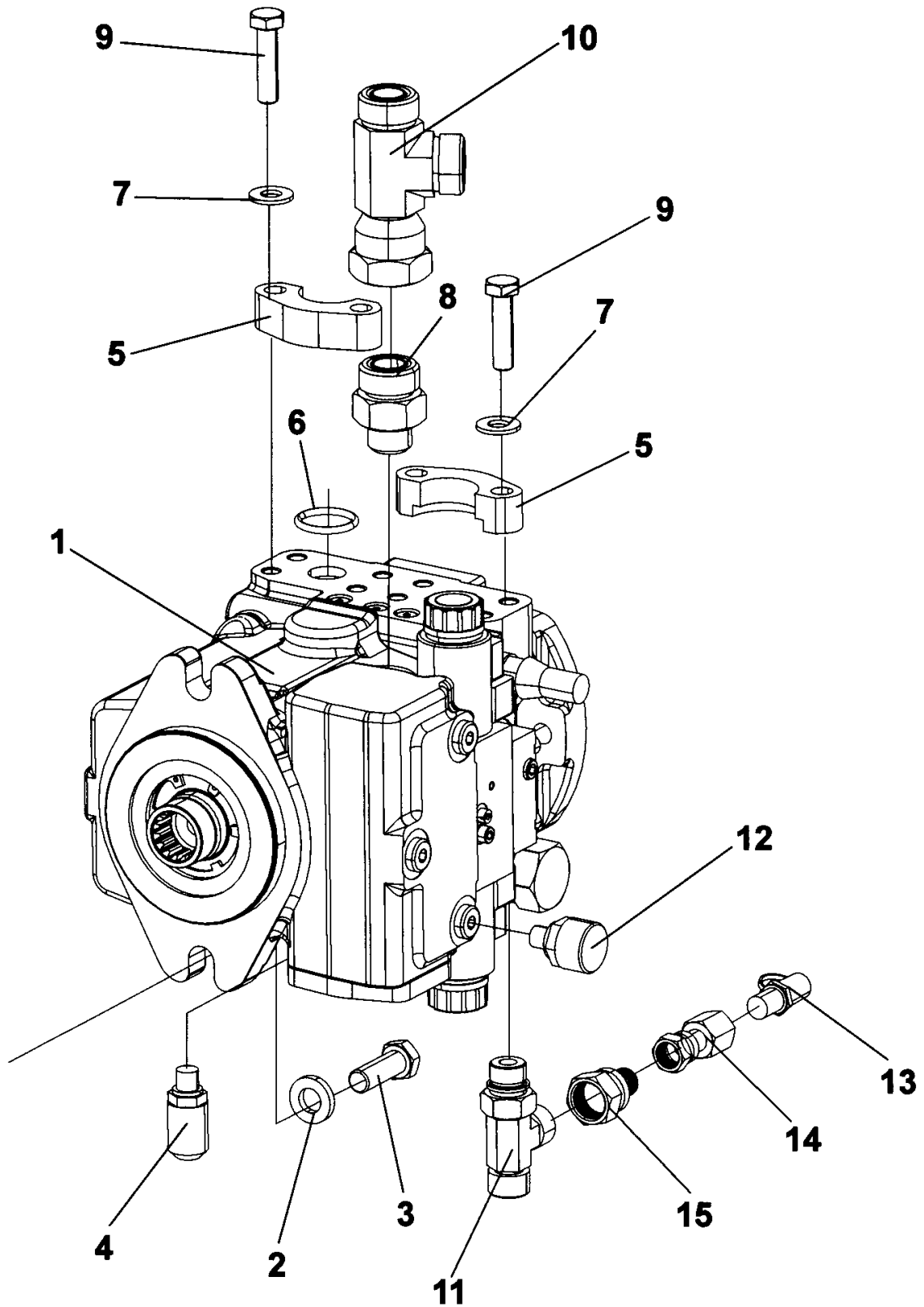


①



Item	Part No.	Name	Qty	L	SN INFO
1	4812002474	Control module	1		
2	--	Housing	1		
3	--	Control piston with cylinder pin	1		
4	--	Lever pair	1		
5	--	Eccentric pin	1		
6	--	Shim	1		
7	--	Feedback lever with needle roller	1		
8	4812157155	Gasket	1		
9	--	Cover with filter	1		
10	--	Draw spring	1		
11	4812156599	Gasket	1		
12	--	Seal plug	2		
13	--	Socket head screw	4		
14	--	Cylinder pin	2		
15	--	Socket head screw	1		
16	--	Shim	1		
17	4812157156	O-ring	1		
18	--	Socket head screw	1		
19	4812156151	Solenoid	2		
98	D967536871	Seal kit	1		

Hydraulic system, engine room Hydraulic pump module

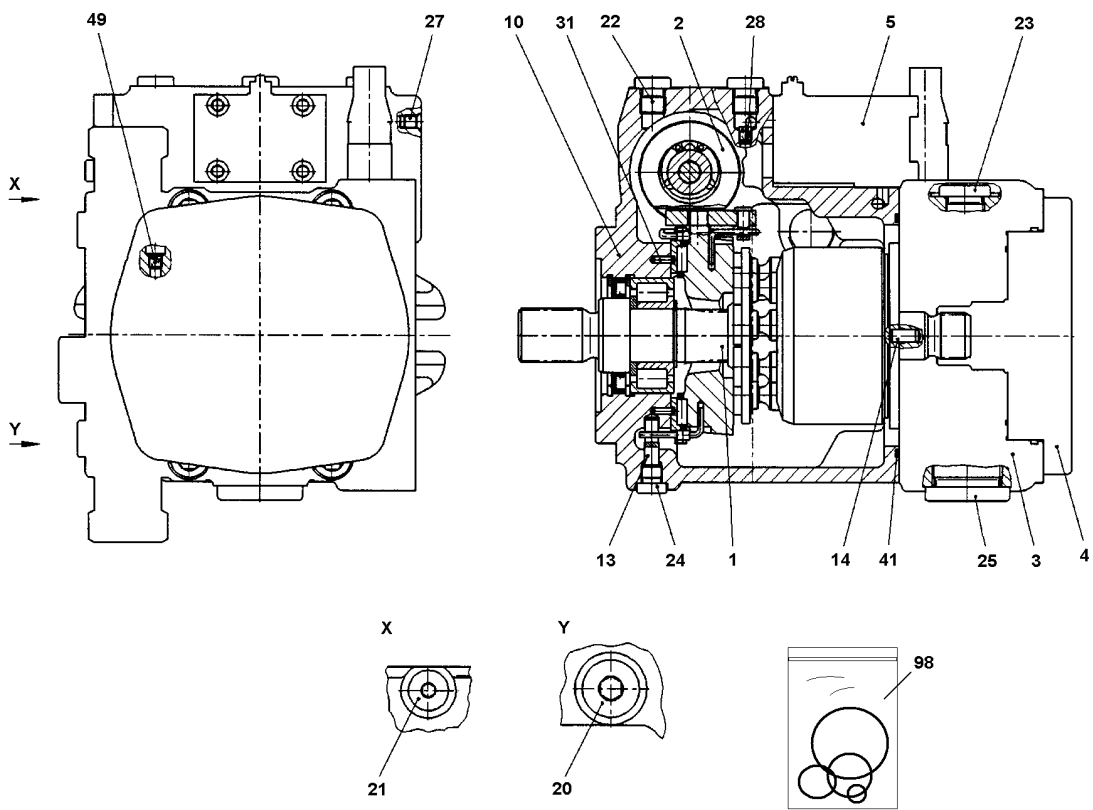


Refer to Parts Online for the most up to date information. The printed information might be outdated.

Wed Nov 21 11:45:33 UTC 2018

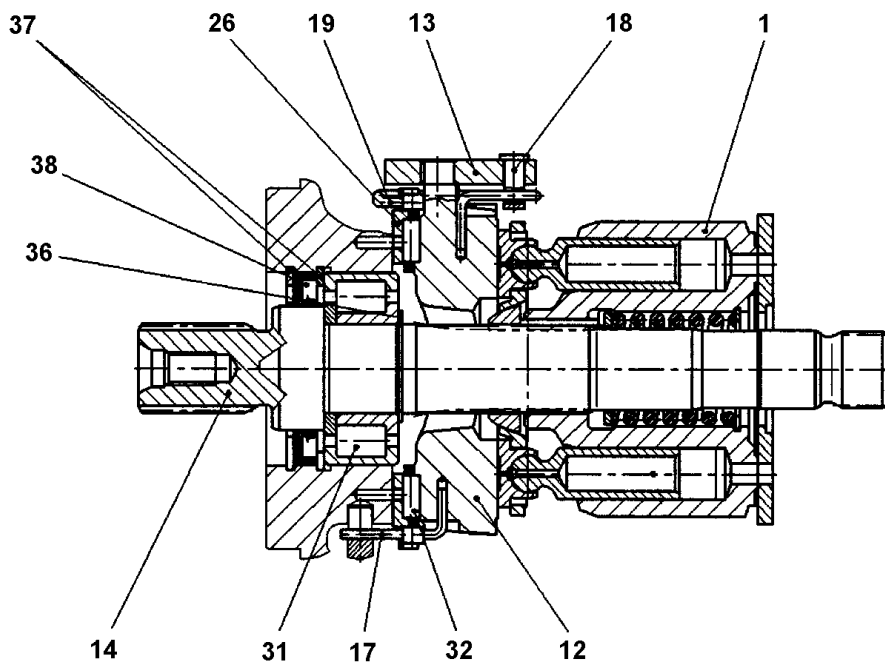
Item	Part No.	Name	Qty	L	SN INFO
1	4812112172	Hydraulic pump, vibration	1		
2	4700904703	Plain washer 13x24x4 mm	2		
3	4700500037	Hex. screw	2		
4	4700901157	Measuring nipple	2		
5	4700929226	Flange half	4		
6	4700904004	O-ring 90	2		
7	4700904637	Washer	8		
8	4700792336	Straight connector orfs	1		
9	4700508080	Screw	8		
10	4700904496	Adapter	1		
11	4700791700	Tee-connector	1		
12	4812116781	Oil filling plug	1		
13	4700923405	Measuring nipple	1		
14	4700792649	Straight connector orfs	1		
15	4700792823	Adapter	1		

**4812112172 Hydraulic pump** 4812112172 Hydraulic pump



Item	Part No.	Name	Qty	L	SN INFO
1		Rotary group	1		
2		Adjusting piece	1		
3		Portplate with valves	1		
4		Pump support plate	1		
5		4/3-Way directional valve	1		
10	-	Housing	1		
13	-	Joint pin	1		
14	-	Cylinder pin	1		
20	-	Locking screw	1		
21	-	Locking screw	1		
22	-	Locking screw	3		
23	-	Locking screw	1		
24	-	Locking screw	1		
25	-	Locking screw	1		
27	-	Double break-off plug	1		
28	4812158198	Orifice	2		
31	-	Clamping pin	2		
41	4812157789	O-ring	1		
49	4700936313	Orifice	1		
98	4700940674	Seal kit, cpl	1		

**4812112172 Hydraulic pump Rotary group**



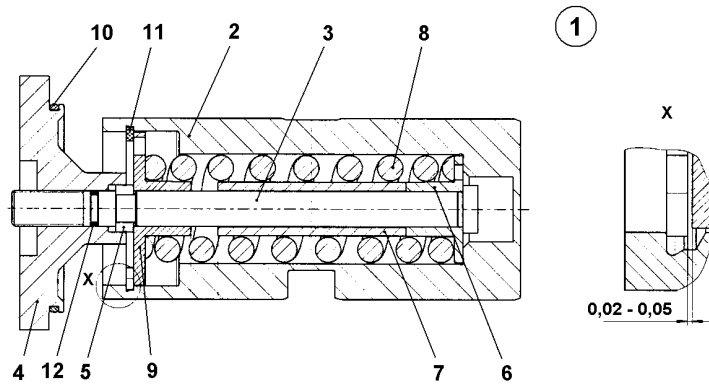
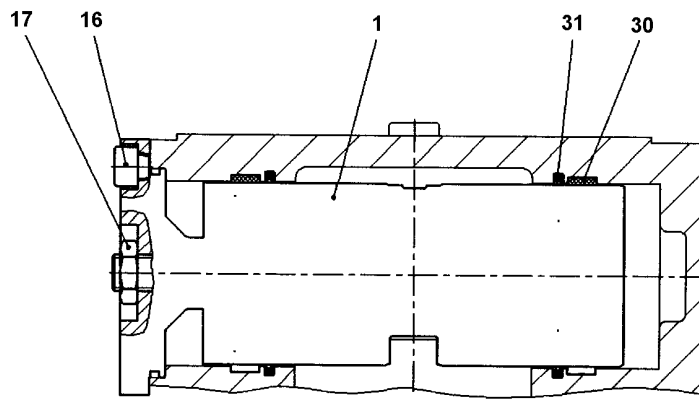
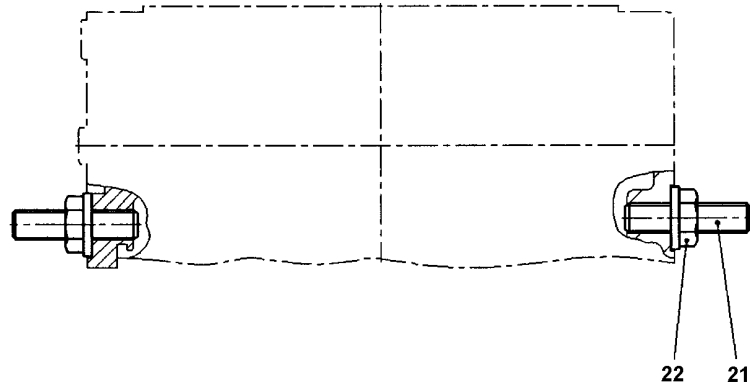
Refer to Parts Online for the most up to date information. The printed information might be outdated.

Wed Nov 21 11:45:33 UTC 2018



Item	Part No.	Name	Qty	L	SN INFO
1	-	Rotary group, hydraul section	1		
12	-	Cradle	1		
13	-	Slide ring	1		
14	-	Shaft	1		
17	-	Wire	1		
18	-	Joint pin	1		
19	-	Wire	1		
26	4812157790	Bearing liner (Pair)	1		
31	4812157791	Plain roller bearing	1		
32	4700902620	Cradle bearing assy (Set)	1		
36	-	Retaining ring	1		
37	-	Retaining ring	2		
38	4812157792	Shaft seal ring	1		
98	4812157793	Seal kit drive shaft	1		

**4812112172 Hydraulic pump** Adjusting piece

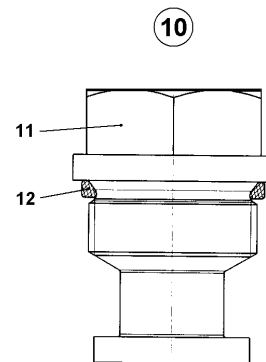
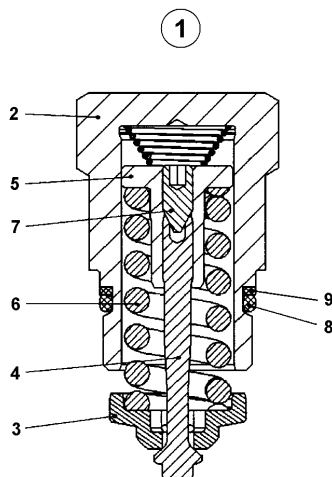
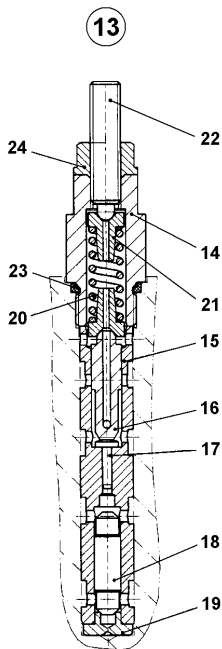
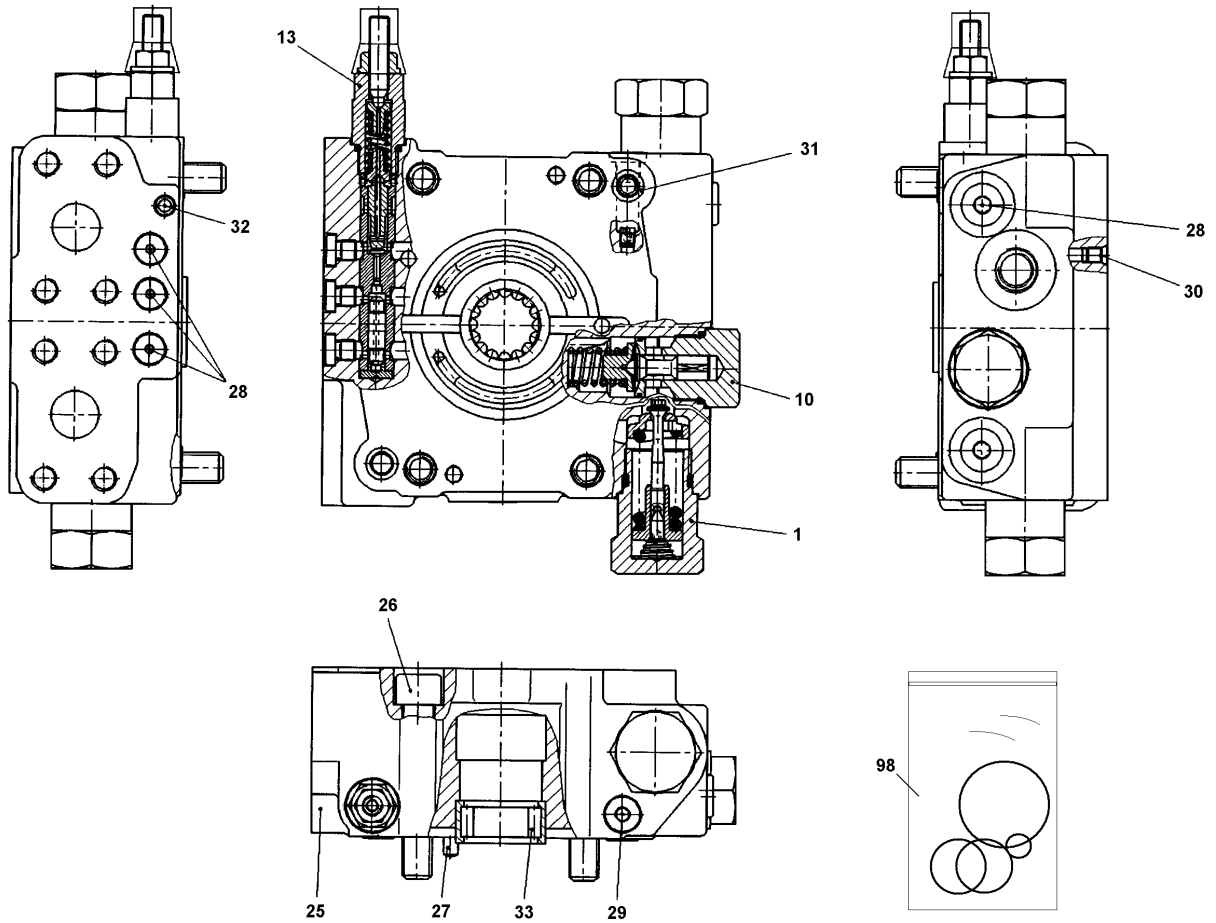


Refer to Parts Online for the most up to date information. The printed information might be outdated.

Wed Nov 21 11:45:34 UTC 2018

Item	Part No.	Name	Qty	L	SN INFO
1	-	Positioning piston, cpl	1		
2	--	Positioning piston	1		
3	--	Rod	1		
4	--	Cover	1		
5	--	Cover	1		
6	--	Spring collar	1		
7	--	Spacer bush	1		
8	--	Pressure spring	1		
9	--	Spring collar	1		
10	4812157198	O-ring	1		
11	--	Seeger ring	1		
12	4812157151	O-ring	1		
16	-	Socket head screw	4		
17	-	Hexagon nut	1		
21	-	Threaded pin	2		
22	-	Sealing nut	2		
30	-	Guide ring	2		
31	-	Rod seal kit	2		
98	-	Seal kit, hydraulic control	1		

**4812112172 Hydraulic pump** Portplate with valves

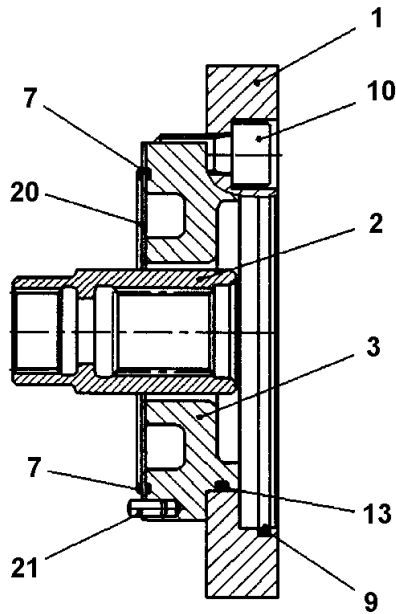


Refer to Parts Online for the most up to date information. The printed information might be outdated.

Wed Nov 21 11:45:34 UTC 2018

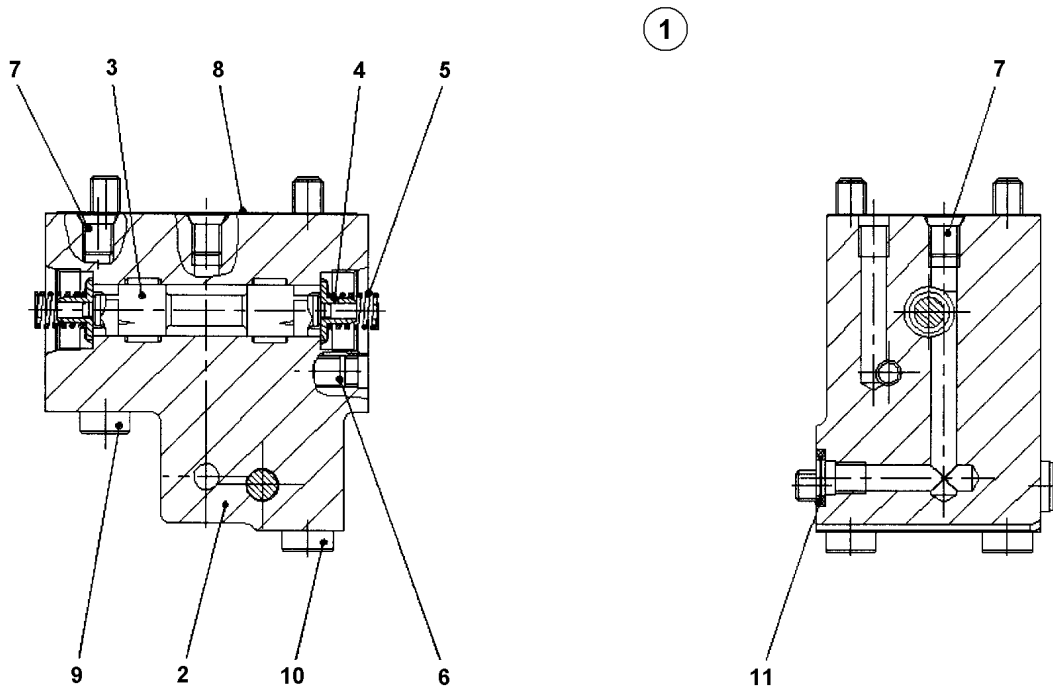
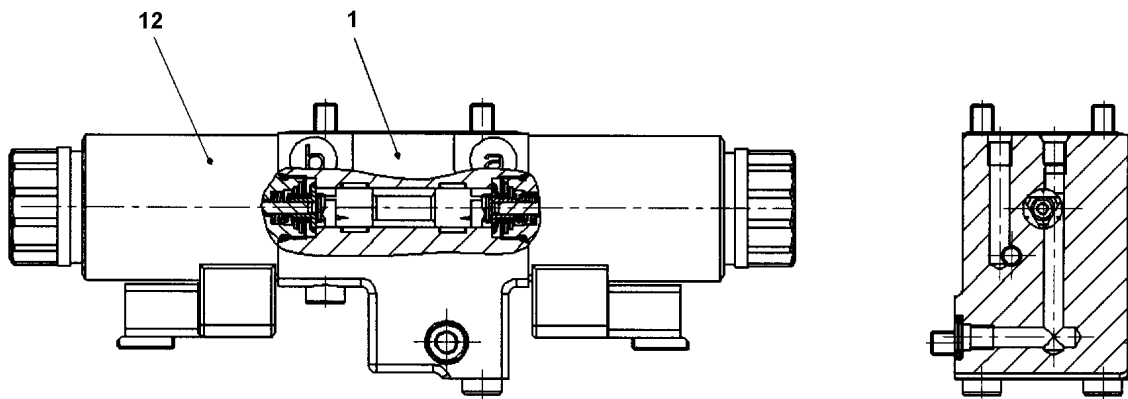
Item	Part No.	Name	Qty	L	SN INFO
1	4700937240	Pressure relief valve 440 bar	2		
2	--	Locking screw	1		
3	--	Valve collar	1		
4	--	Valve spindle	1		
5	--	Spring loading nut	1		
6	--	Pressure spring	1		
7	--	Threaded pin	1		
8	4700927278	O-ring	1		
9	4812157799	Back-up ring	1		
10	4812158770	Locking set with orifice	1		
11	--	Locking screw	1		
12	4700927278	O-ring	1		
13	4812157797	Pressure override valve	1		
14	--	Locking screw	1		
15	--	Valve bushing	1		
16	--	Control piston	1		
17	--	Piston	1		
18	--	Valve piston	1		
19	--	Poppet seat	1		
20	--	Pressure spring	1		
21	--	Spring collar	2		
22	--	Adjusting screw	1		
23	4700902783	O-ring	1		
24	--	Sealing nut	1		
25	-	Port plate	1		
26	-	Socket head screw	4		
27	-	Cylinder pin	2		
28	-	Double break-off plug	2		
29	-	Locking screw	1		
30	-	Locking screw	3		
31	4700902641	O-ring	2		
32	-	Locking screw	2		
33	4700901744	Plain roller bearing	1		
98	4812157798	Seal kit, port plate with valves	1		

**4812112172 Hydraulic pump** Pump support plate



Item	Part No.	Name	Qty	L	SN INFO
1	-	Intermediate flange	1		
2	-	Through drive coupling	1		
3	4812158771	Seal ring	1		
7	4812157865	Seal ring	1		
9	4812157482	O-ring	1		
10	-	Socket head screw	4		
13	4812157852	O-ring	1		
20	-	Bearing cover	1		
21	-	Cylinder pin	1		

**4812112172 Hydraulic pump 4/3-Way directional valve**



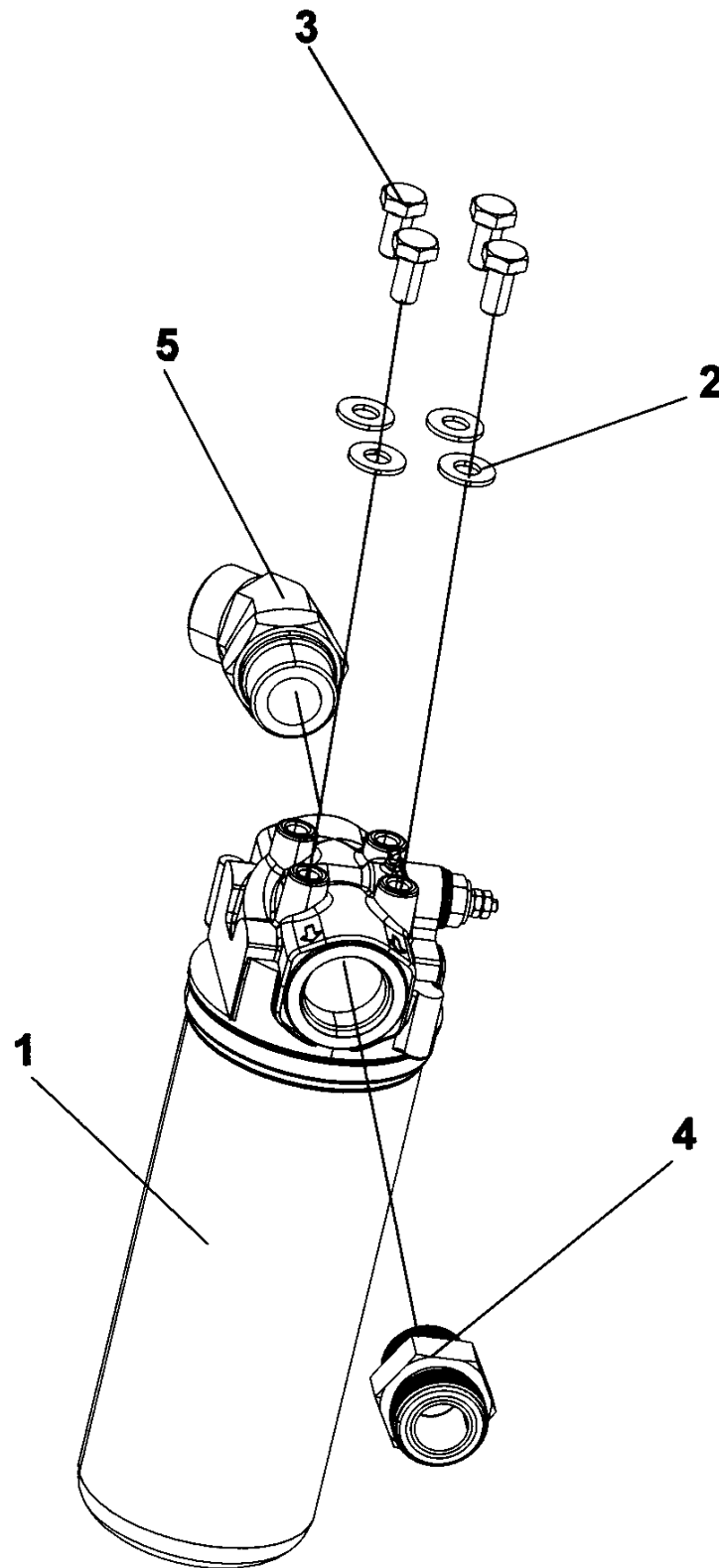
Refer to Parts Online for the most up to date information. The printed information might be outdated.

Wed Nov 21 11:45:35 UTC 2018



Item	Part No.	Name	Qty	L	SN INFO
1	4812156756	Valve housing with accessories	1		
2	--	Valve housing	1		
3	--	Control piston	1		
4	--	Spring collar	2		
5	--	Pressure spring	2		
6	--	Plug	1		
7	--	Double break-off plug	3		
8	4812156599	Gasket	1		
9	--	Socket haed screw	3		
10	--	Socket head screw	2		
11	4812157253	O-ring	1		
12	4812156152	Solenoid	1		

Hydraulic system, engine room Hydraulic oil filter assy

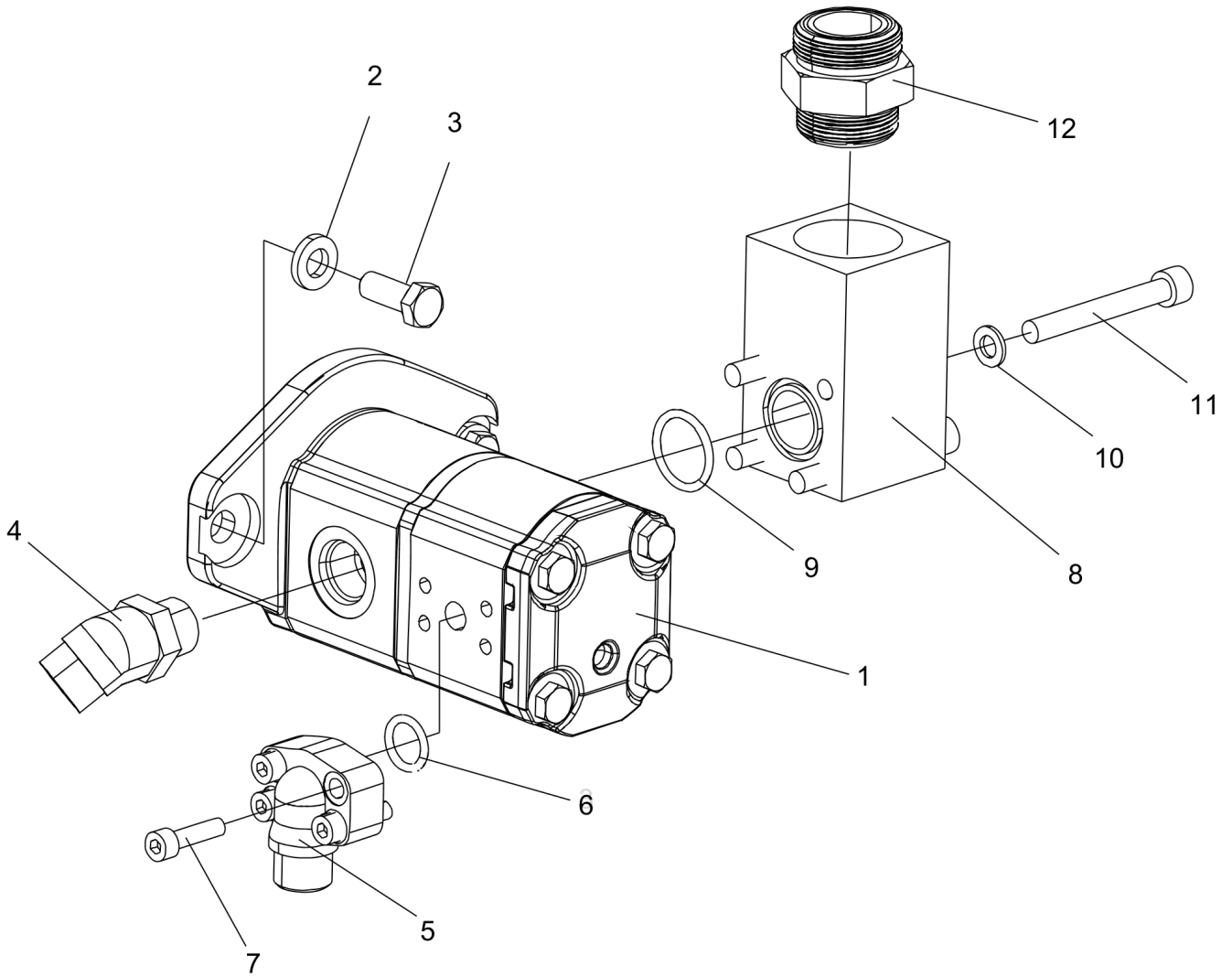


Refer to Parts Online for the most up to date information. The printed information might be outdated.

Wed Nov 21 11:45:35 UTC 2018

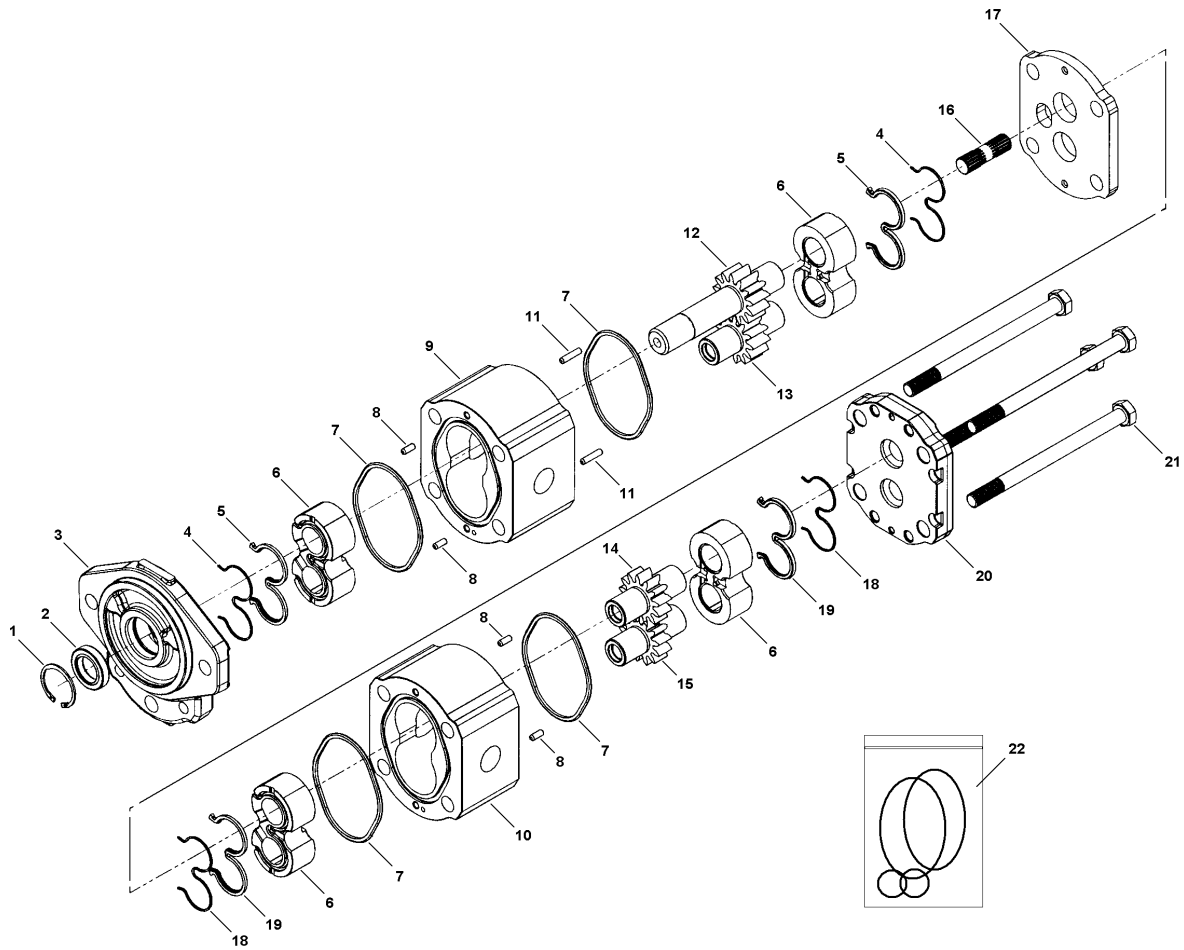
Item	Part No.	Name	Qty	L	SN INFO
1	4812112260	Hydraulic oil filter	1		
1.1	4812112262	Hydraulic oil filter element	1		
1.2	4812160664	Fiction ring, filter head	1		
1.3	4700936898	Sensor Red (RW)	1		
2	4700904230	Steel plain washer	4		
3	4700500048	Screw, M10x20 mm 8.8 A3K	4		
4	4700792339	Adapter	1		
5	4700791212	Adapter	1		

**Hydraulic system, engine room** Hydraulic pump module



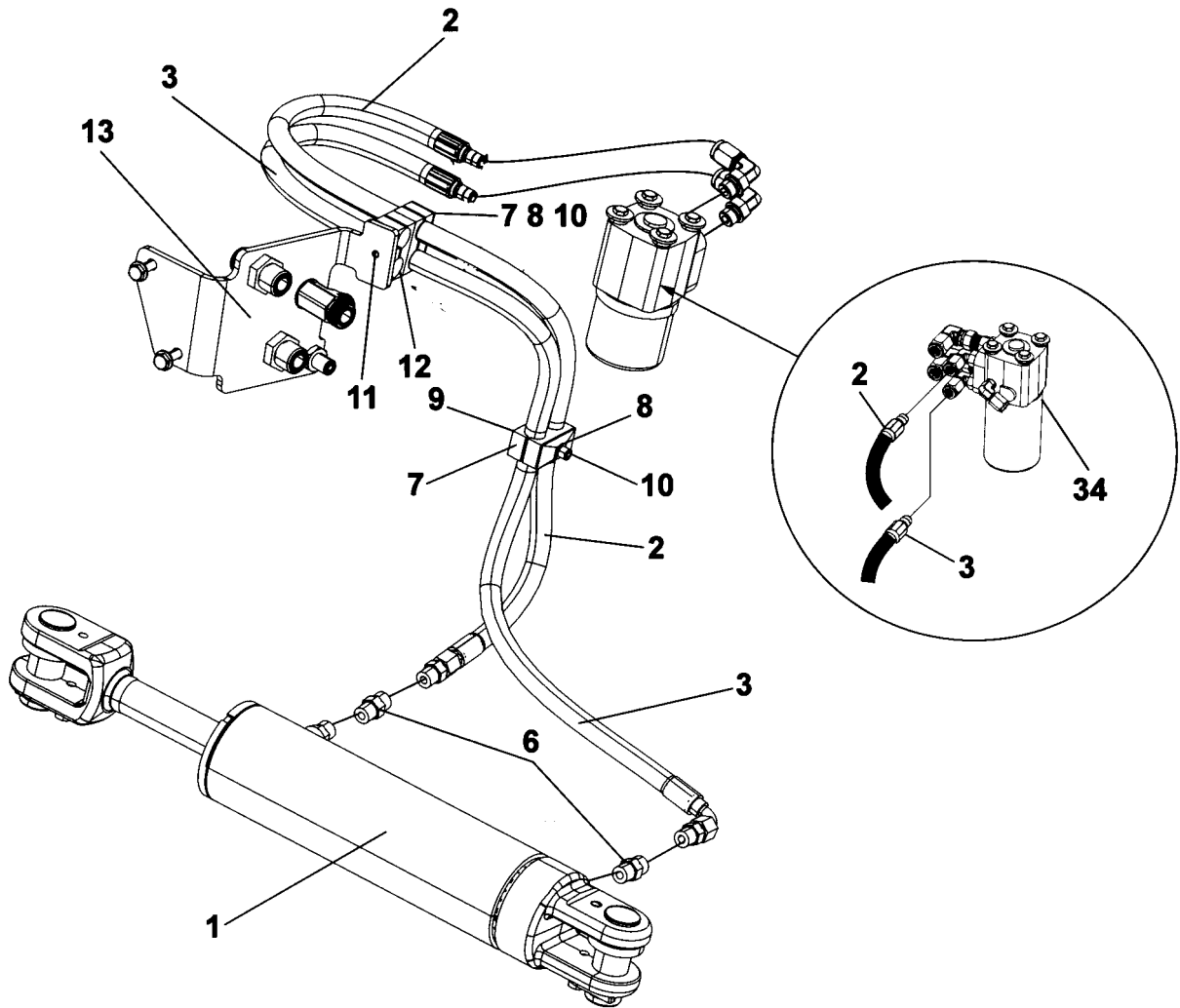
Item	Part No.	Name	Qty	L	SN INFO
1	4812112182	Hydraulic pump, steering	1		
2	4700904231	Washer, 13x24x2 mm 300 HV	2		
3	4700500046	Hex. head screw M12x030H	2		
4	4700791230	Adapter	1		
5	4812113633	Flange connector	1		
6	4700904774	O-ring	1		
7	4700508048	Hexagon socket head cap screw M	4		
8	4812116589	Hydraulic block	1		
9	4700904005	O-ring	1		
10	4700904637	Washer	4		
11	4700500090	Screw	4		
12	4812114189	Adapter	1		

Hydraulic system, engine room 4812112182 Hydraulic pump, steering



Item	Part No.	Name	Qty	L	SN INFO
0	4812112182	Hydraulic pump, steering	1		
1	--	Snap ring	1		
2	--	Shaft seal	1		
3	--	Mounting flange	1		
4	--	Back-up ring	2		
5	--	Seal	2		
6	--	Bearing block	4		
7	--	O-ring	4		
8	--	Dowel pin 1	4		
9	--	Gear housing 1	1		
10	--	Gear housing 2	1		
11	--	Dowel pin 2	2		
12	--	Drive gear 1	1		
13	--	Idler gear 1	1		
14	--	Drive gear 2	1		
15	--	Idler gear 2	1		
16	--	Coupling	1		
17	--	Distance plate	1		
18	--	Back-up ring	2		
19	--	Seal	2		
20	--	End cover	1		
21	--	Screw	4		
22	4812158395	Seal kit, cpl	1		

Hydraulic system, steering Hydraulic system, steering





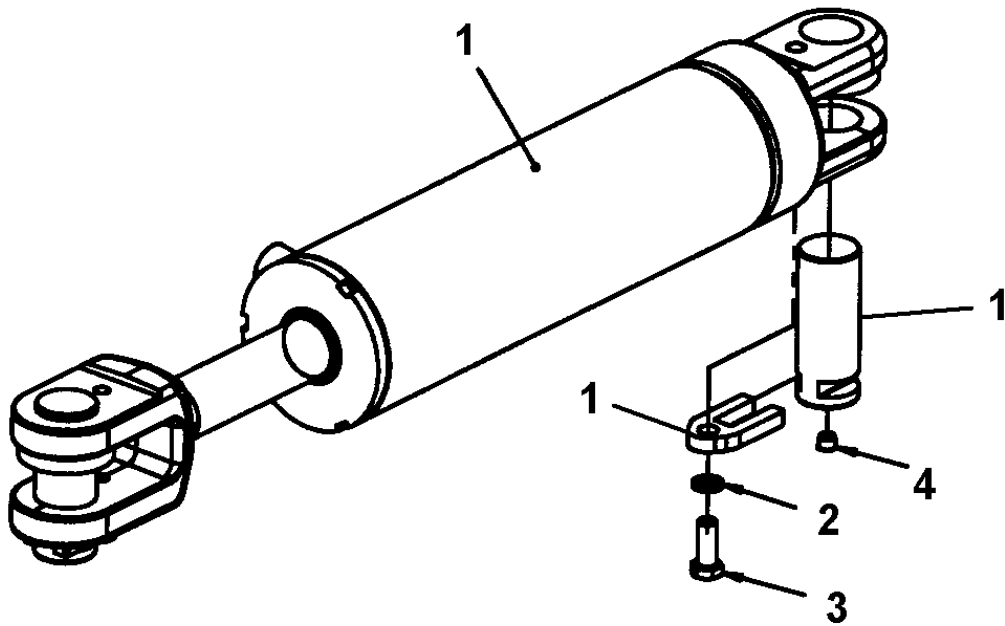
Item	Part No.	Name	Qty	L	SN INFO
1	-	Hydraulic Cylinder	1		
2	4812115542	Hydraulic hose	1		
3	4812115541	Hydraulic hose	1		
5	4700904623	Hose guard	1XL	A	
6	4700791799	Straight connector orfs	2		
7	4700903456	Pipe clamp	2		
8	4700904872	Cover plate	2		
9	4700792500	Stud	1		
10	4700902286	Lock nut, M8x1.25 mm A2K	2		
11	4700791807	Stud	1		
12	4700287295	Clamp	1		
13	-	Bracket	1		
34		Steering valve module	1		
34	-	Emergency steering valve module	1		

Comments for Page: Hydraulic system, steering

(L)OCAL REMARKS

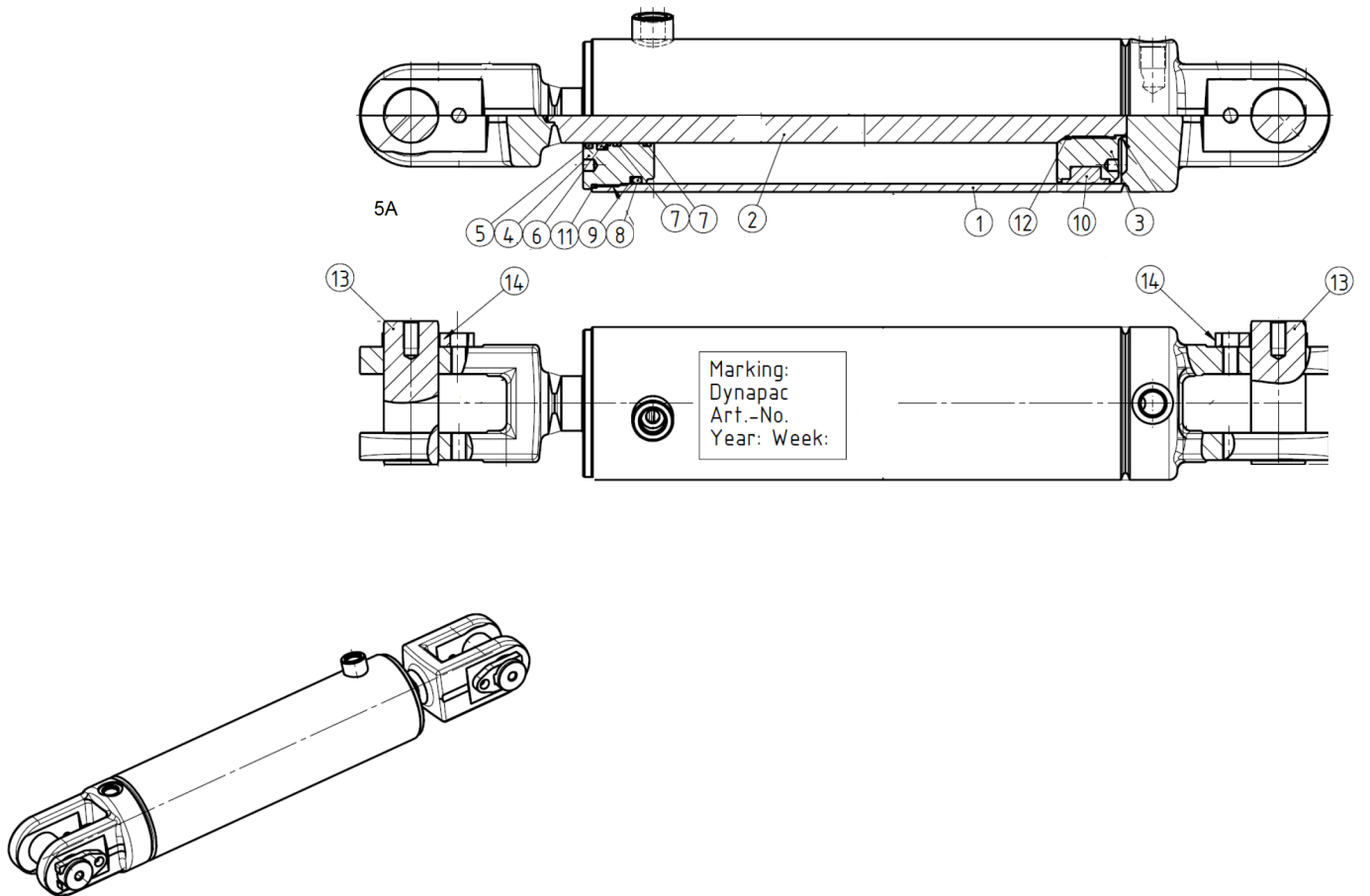
A | en\_US | L=0.4m

**Hydraulic system, steering** Hydraulic cylinder



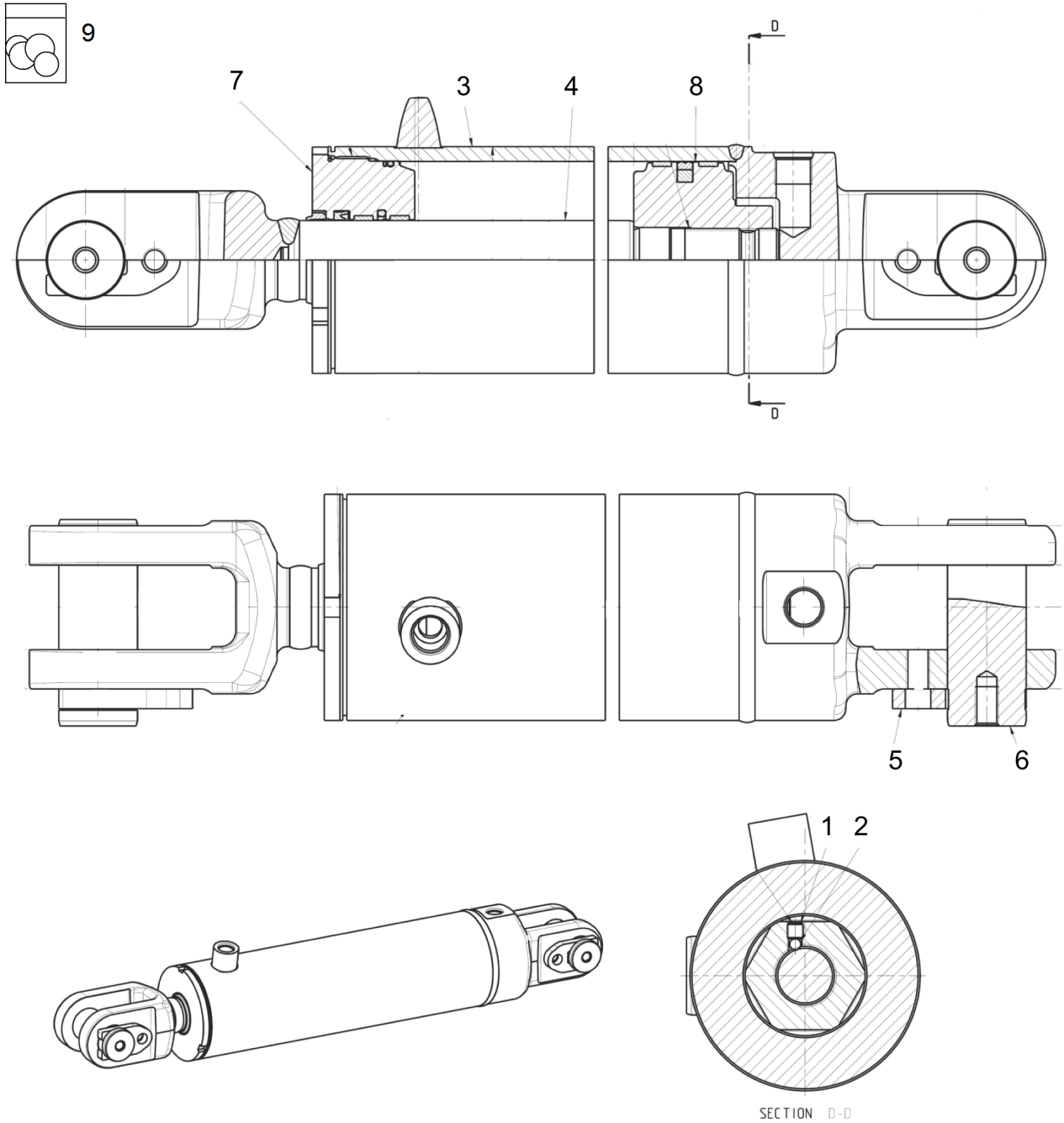
Item	Part No.	Name	Qty	L	SN INFO
1	4812112508	Hydraulic cylinder	1		
1	4812120830	Hydraulic cylinder	1		
1	4812121947	Hydraulic cylinder	1		
2	4700900994	Lock washer	2		
3	4700500046	Hex. head screw M12x030H	2		
4	4700792083	Plug	2		

Hydraulic system, steering 4812121947 Hydraulic cylinder



Item	Part No.	Name	Qty	L	SN INFO
0	4812121947	Hydraulic cylinder	1		
1	--	Guide block	1		
2	--	Piston rod	1		
3	--	Piston	1		
4	--	Guide block	1		
5A	4700950417	Seal kit	1		
5	---	Wiper	1		
6	---	Rod seal	1		
7	---	Guide Ring	2		
8	---	O-ring	1		
9	---	Backup ring	1		
10	---	O-ring	1		
11	---	O-ring	1		
12	---	O-ring	1		
13	--	Pin	2		
14	--	Washer	2		

Hydraulic system, steering 4812120830 Hydraulic cylinder

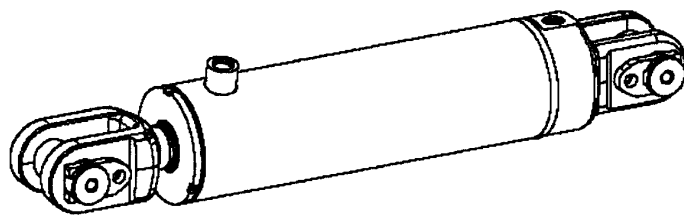
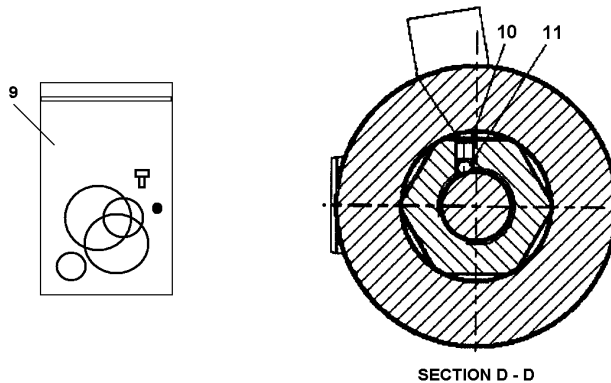
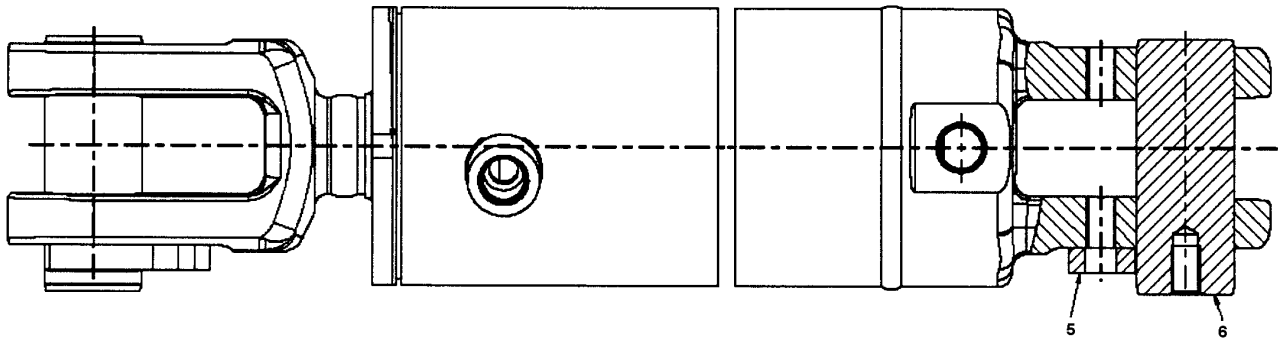
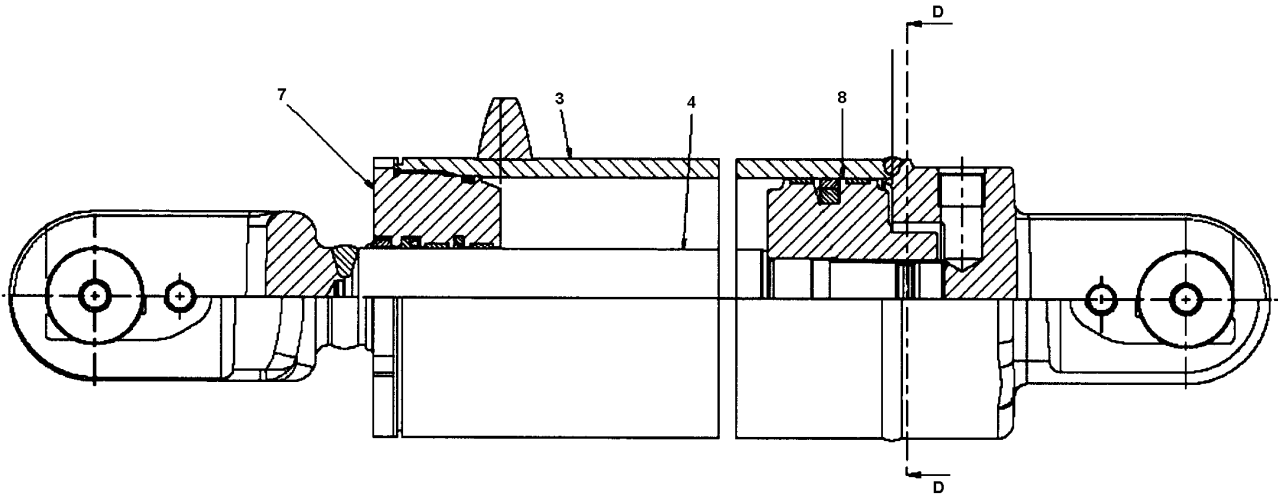


Refer to Parts Online for the most up to date information. The printed information might be outdated.

Wed Nov 21 11:45:37 UTC 2018

Item	Part No.	Name	Qty	L	SN INFO
0	4812120830	Hydraulic cylinder	1		
1	--	Screw	1		
2	4812157758	Ball	1		
3	--	Cylinder tube	1		
4	--	Rod seal	1		
5	4812157759	Locking fork	2		
6	4812157760	Locking pin	2		
7	--	Cylinder head	1		
8	--	Piston	1		
9	4812157761	Seal kit	1		

Hydraulic system, steering 4812112508 Hydraulic cylinder



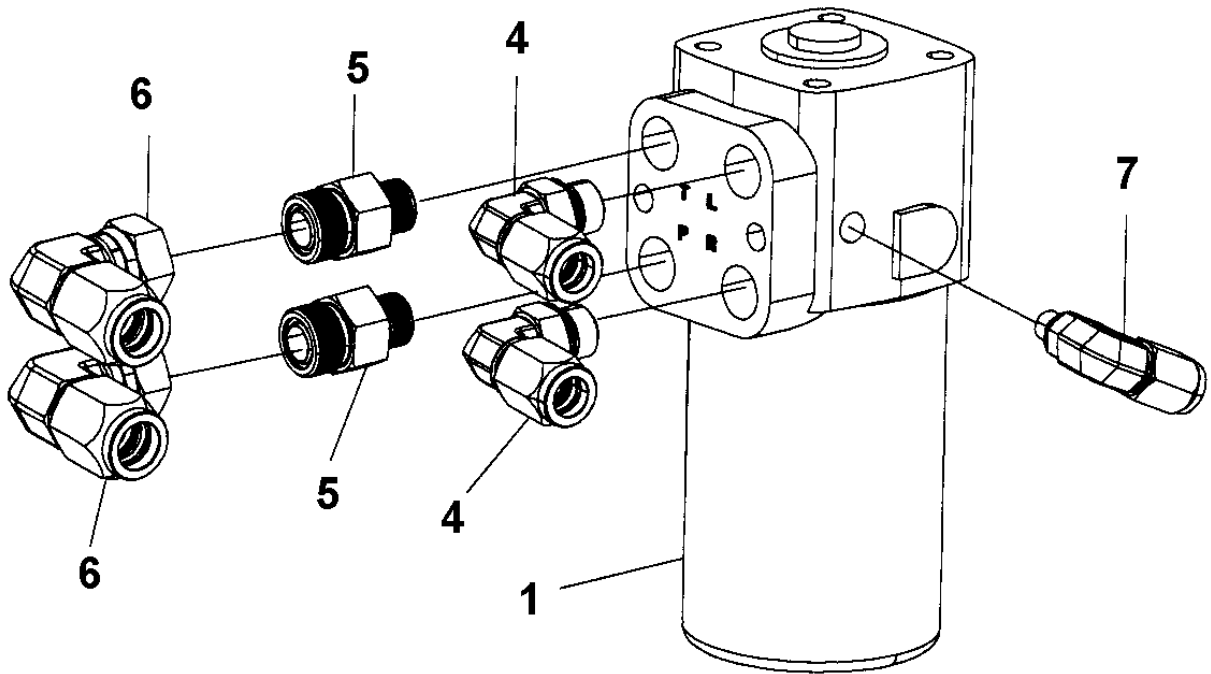
Refer to Parts Online for the most up to date information. The printed information might be outdated.

Wed Nov 21 11:45:38 UTC 2018



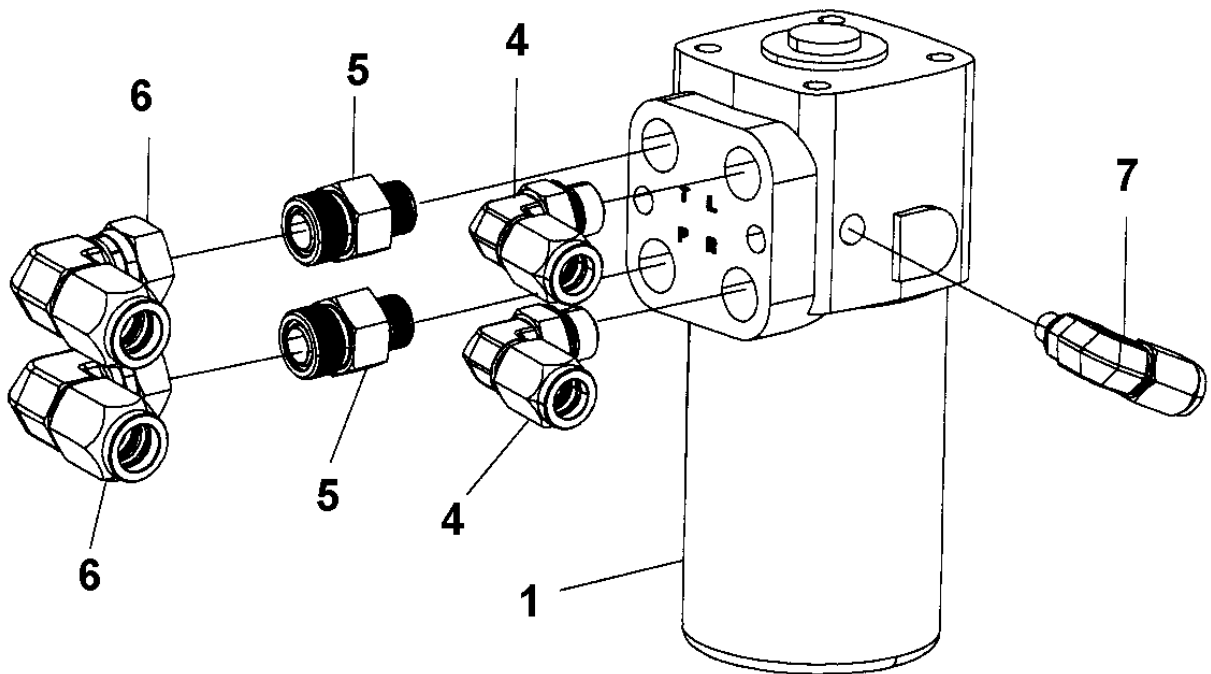
Item	Part No.	Name	Qty	L	SN INFO
3	-	Cylinder tube	1		
4	-	Rod seal	1		
5	4812157759	Locking fork	2		
6	4812157760	Locking pin	2		
7	-	Cylinder Head	1		
8	-	Piston	1		
9	4812157761	Seal kit	1		
10	-	Screw	1		
11	4812157758	Ball	1		

**Hydraulic system, steering** Steering valve module



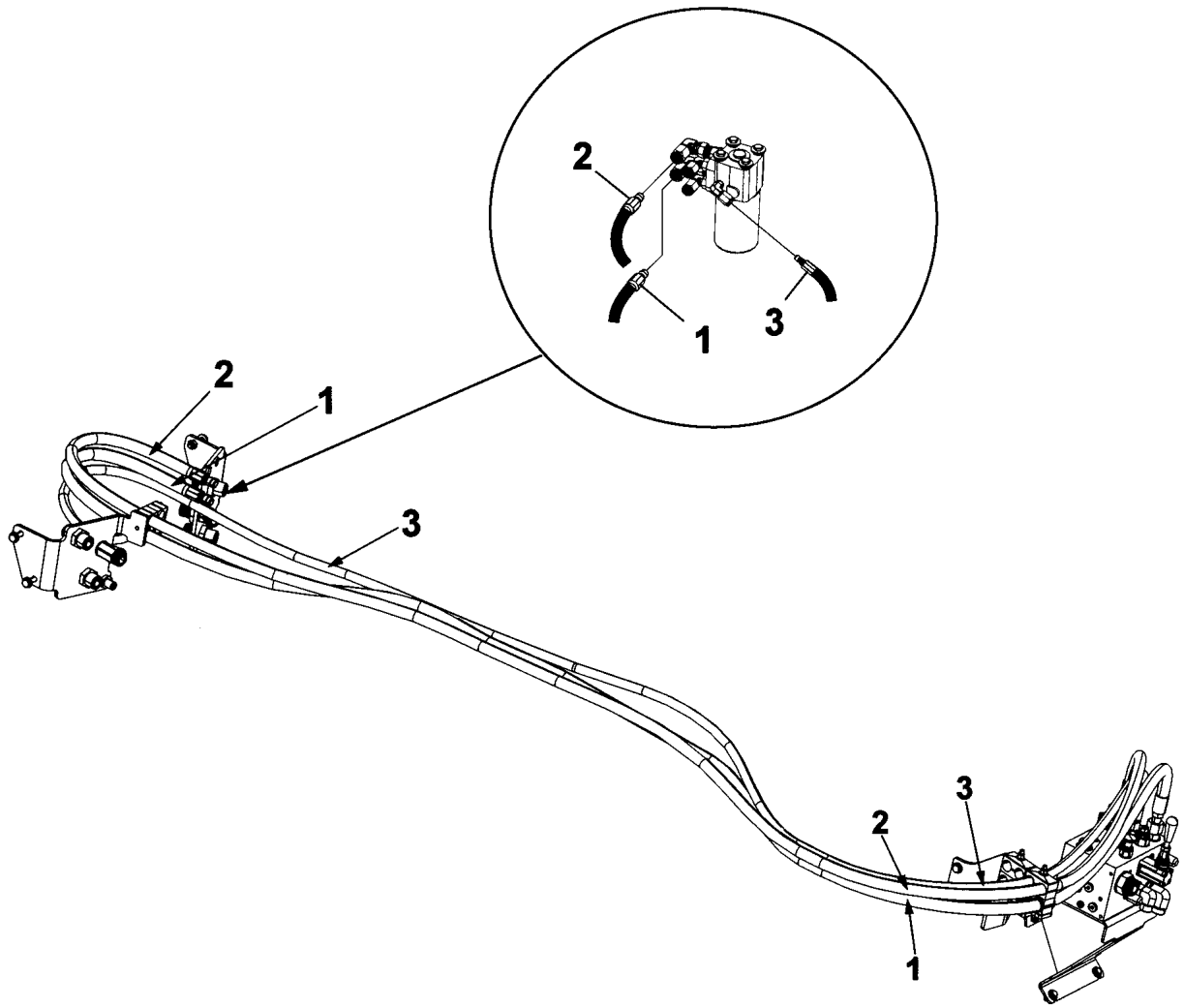
Item	Part No.	Name	Qty	L	SN INFO
1	4700394318	Pilot valve, steering	1		
4	4812115063	Elbow connector 90°	2		
5	4811000074	Straight connector orfs	2		
6	4812115064	Elbow connector 90°	2		
7	4812115065	Elbow connector 90°	1		

Hydraulic system, steering Steering valve module



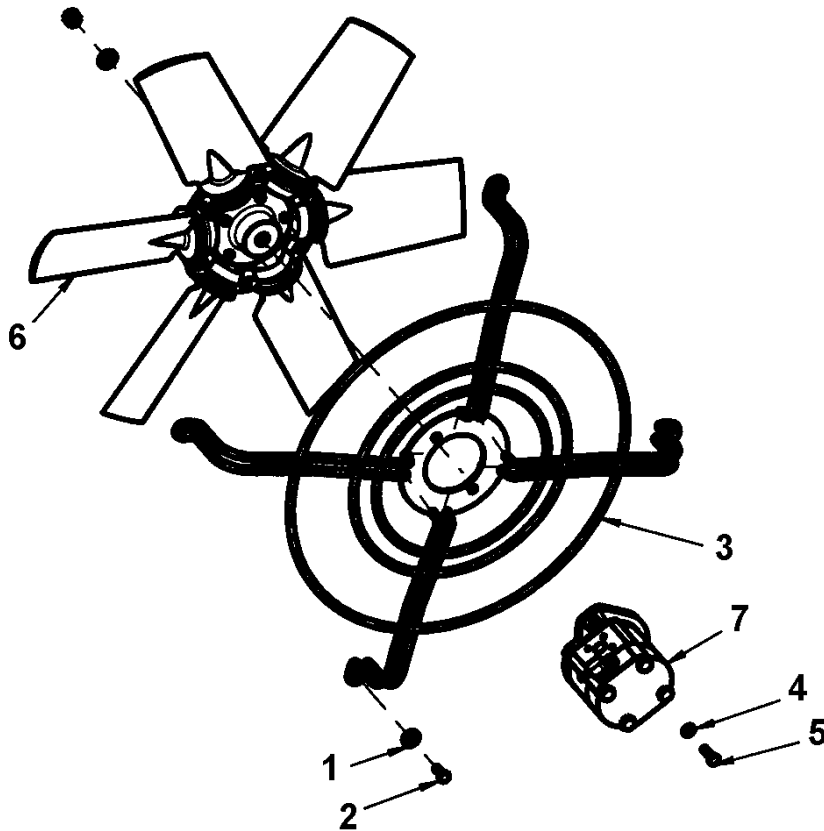
Item	Part No.	Name	Qty	L	SN INFO
1	4812112290	Steering valve	1		
4	4812115063	Elbow connector 90°	2		
5	4811000074	Straight connector orfs	2		
6	4812115064	Elbow connector 90°	2		
7	4812115065	Elbow connector 90°	1		

**Hydraulic hoses, steering** Hydraulic hoses, steering



Item	Part No.	Name	Qty	L	SN INFO
1	4812115339	Hydraulic hose uptc	1		
2	4812115340	Hydraulic hose uptc	1		
3	4812115341	Hydraulic hose uptc	1		

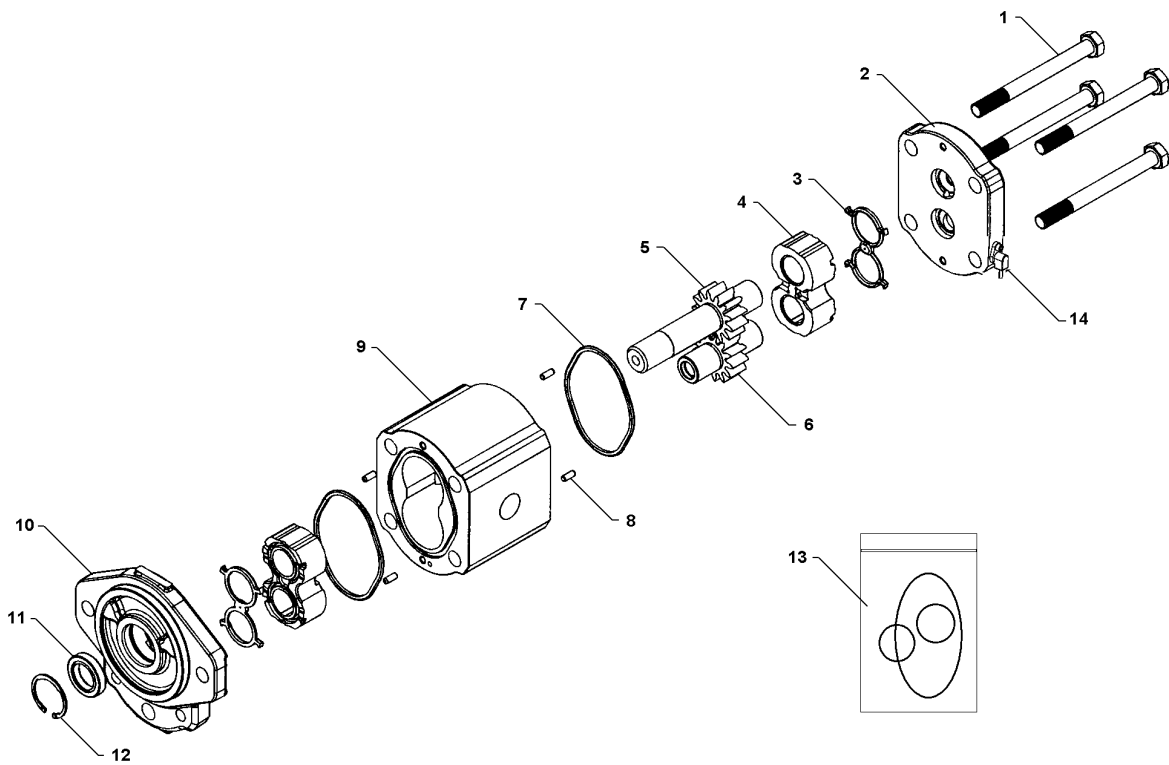
Fan module Fan module





Item	Part No.	Name	Qty	L	SN INFO
1	4700904640	Washer, 8.4x22x3 mm 300HV	4		
2	4700500053	Screw, M8x20 mm 8.8 A2K	4		
3	4812113678	Bracket	1		
4	4700904229	Washer, 8.4x 6x1.5 mm 300HV	2		
5	4700500021	Screw, M8x25 mm 8.8 A2K	2		
6	4812113679	Fan	1		
7	4812116231	Hydraulic motor, fan	1		

**Fan module** 4812116231 Hydraulic motor



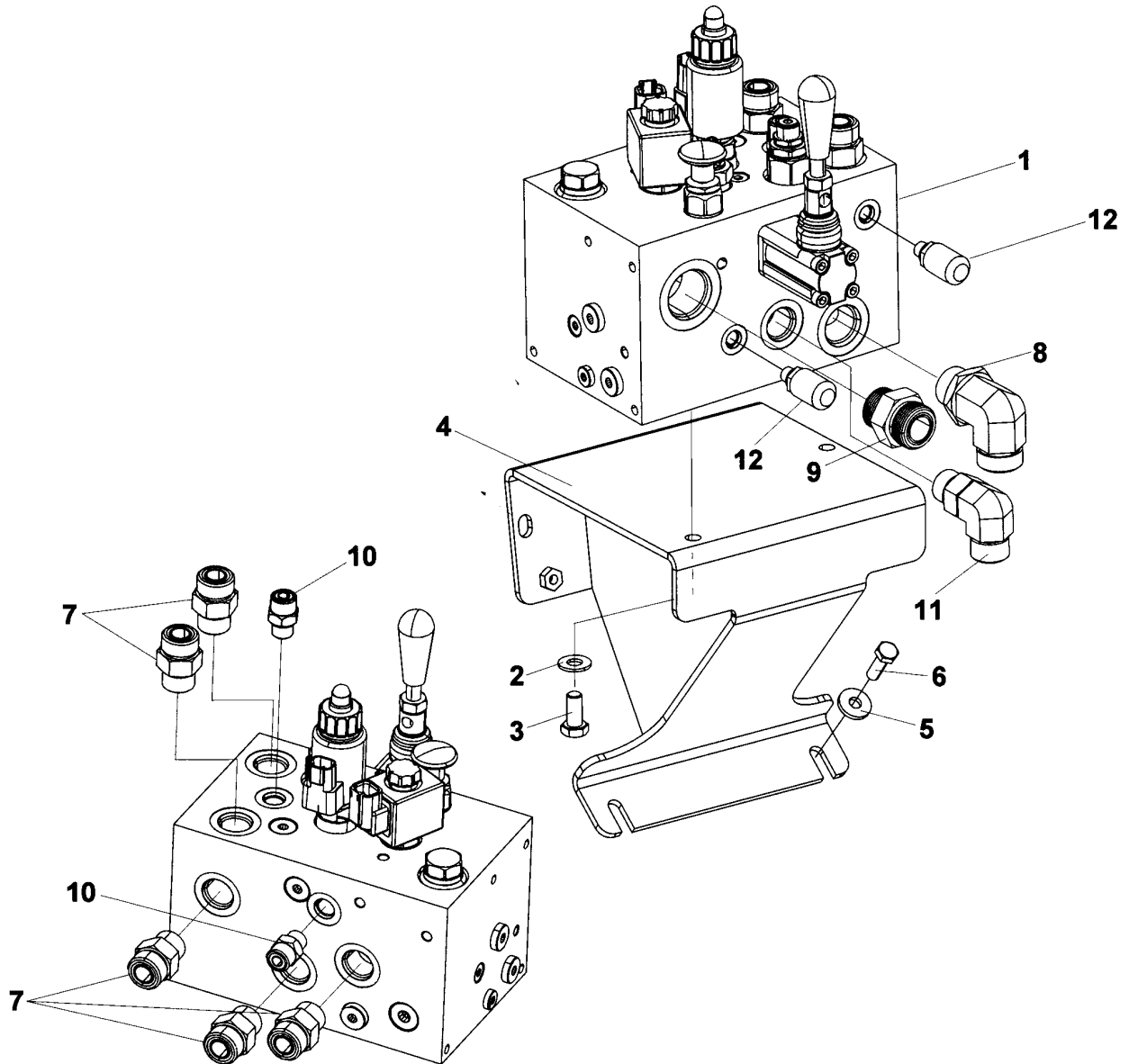
Item	Part No.	Name	Qty	L	SN INFO
-	4812116231	Hydraulic motor, fan	1		
1	--	Screw	4		
2	--	End cover	1		
3	--	Seal	2	A	
4	--	Bearing block	2		
5	--	Drive gear	1		
6	--	Idler gear	1		
7	--	Shaft seal	2	A	
8	--	Dowel pin	4		
9	--	Gear housing	1		
10	--	Mounting flange	1		
11	--	Shaft seal	1	A	
12	--	Snap ring	1		
13	4700903431	Seal kit	1		
14	4812159763	Sensor w cable	1		

Comments for Page: 4812116231 Hydraulic motor

(L)OCAL REMARKS

A | en\_US | Included in seal kit.

Hydraulic valve module Hydraulic valve module

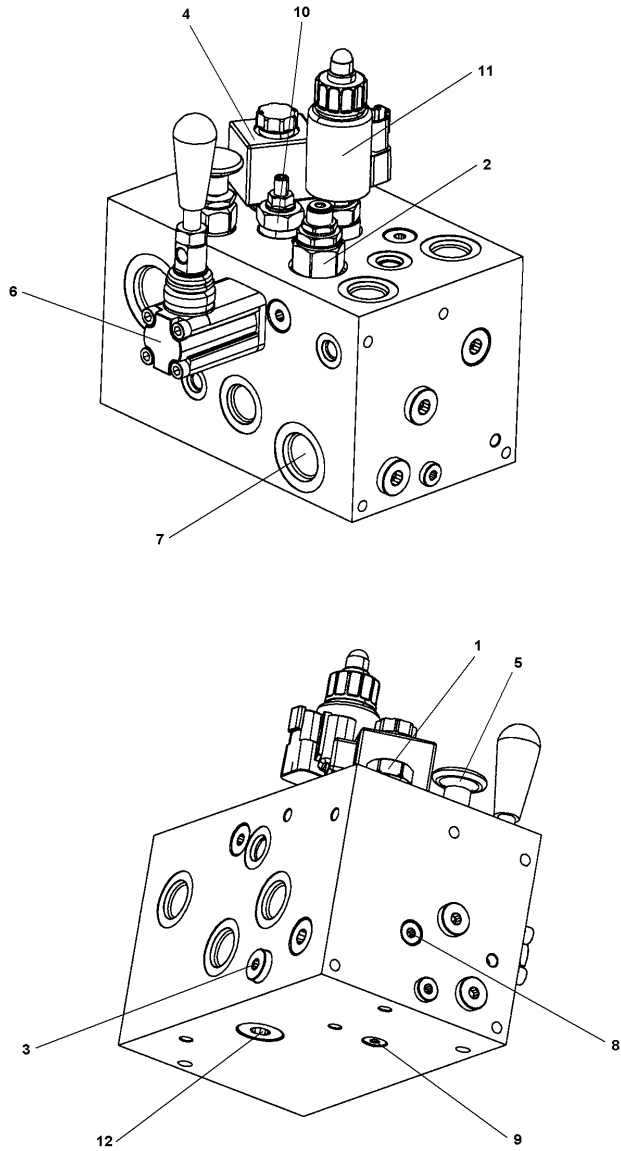


Refer to Parts Online for the most up to date information. The printed information might be outdated.

Wed Nov 21 11:45:39 UTC 2018

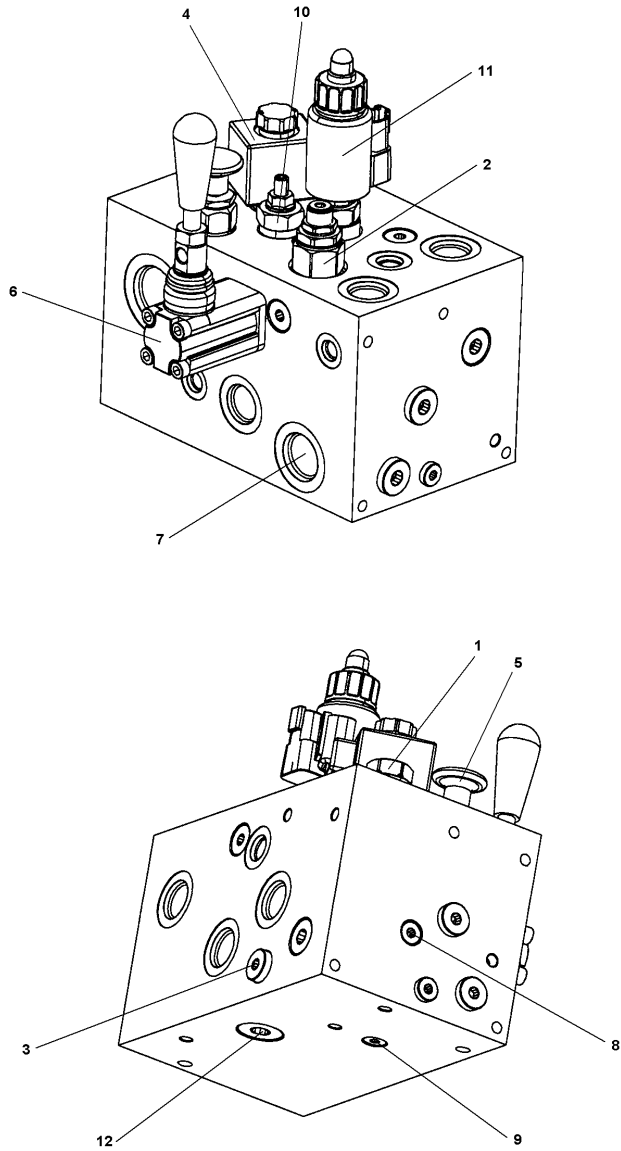
Item	Part No.	Name	Qty	L	SN INFO
1	4812112238	Hydraulic valve	1		To A016662 incl. 16751 - 16753
1	4812120840	Hydraulic valve	1		From A016663 excl. 16751 - 16753
2	4700904230	Steel plain washer	2		
3	4700500027	Screw M10-1,55x22 8.8	2		
4	4812114434	Bracket	1		
5	4700904640	Washer, 8.4x22x3 mm 300HV	4		
6	4700500021	Screw, M8x25 mm 8.8 A2K	4		
7	4700791743	Straight connector orfs	5		
8	4700791231	Adapter	1		
9	4700792339	Adapter	1		
10	4700791409	Straight connector orfs	2		
11	4700791843	Elbow 90, O-ring with swivel	1		
12	4700910162	Measuring nipple	2		

**Hydraulic valve module 4812120840 Hydraulic valve**



Item	Part No.	Name	Qty	L	SN INFO
0	4812120840	Hydraulic valve	1		
1	4812157654	Pressure compensator	1		
2	-	Pressure relief valve	1		
3	4812157681	Shuttle valve	1		
4	4812157770	Electric 3/2 valve	1		
4	4812157771	Coil	1		
5	4812157682	2/2 Valve	1		
6	4812157772	Hand pump	1		
6	4812157773	Kit manual lever	1		
7	-	Orifice	1		
8	4812157684	Orifice	1		
9	4812157685	Orifice	1		
10	4812157686	Brake pressure relief valve	1		
11	4812157687	Proportional pressure relief valve	1		
11	4812160654	Coil	1		
12	-	Check valve	1		

**Hydraulic valve module 4812112238 Hydraulic valve**



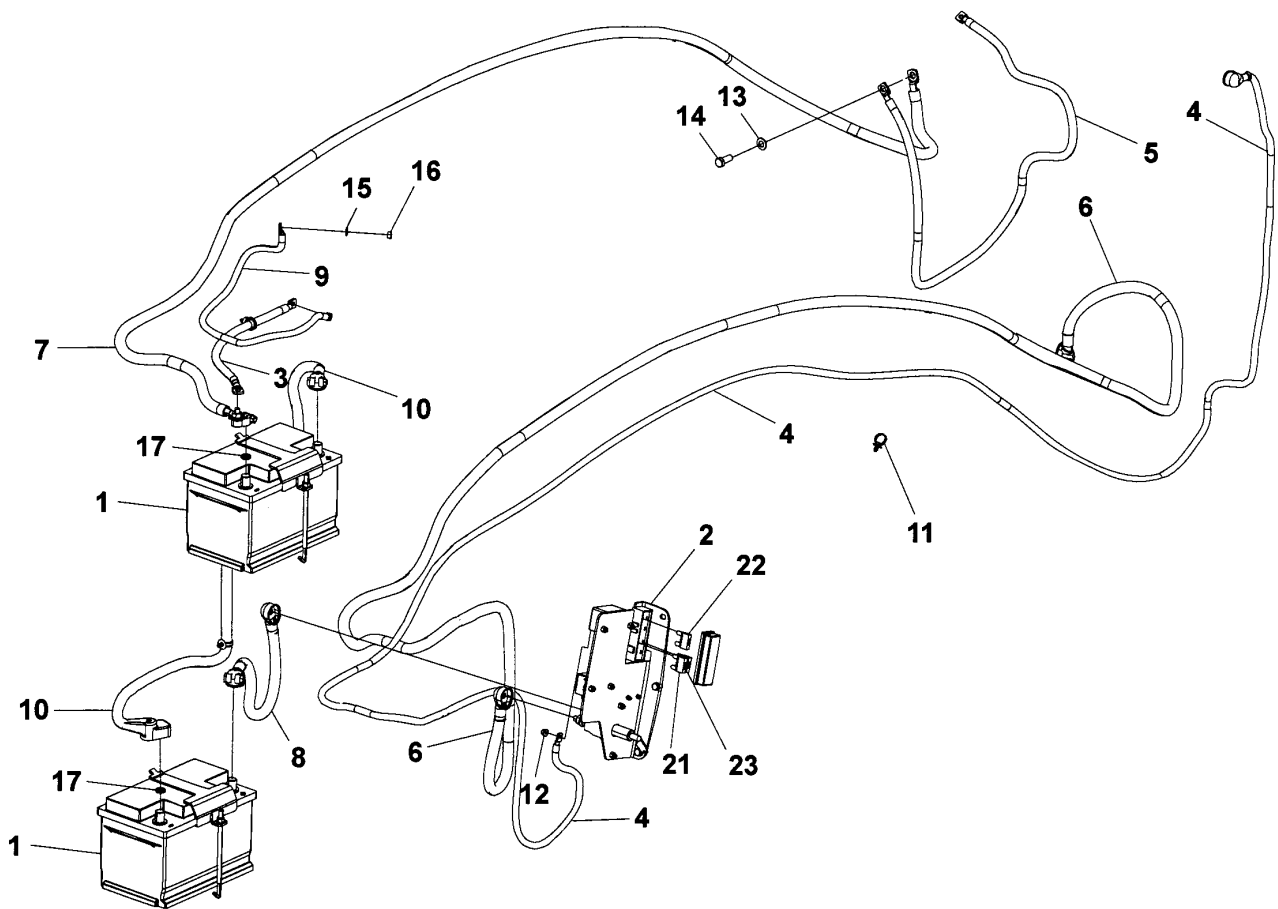
Refer to Parts Online for the most up to date information. The printed information might be outdated.

Wed Nov 21 11:45:40 UTC 2018



Item	Part No.	Name	Qty	L	SN INFO
0	4812112238	Hydraulic valve	1		
1	4812157654	Pressure compensator	1		
2	4812157655	Pressure relief valve	1		
3	4812157681	Shuttle valve	1		
4	4812157770	Electric 3/2 valve	1		
4	4812157771	Coil	1		
5	4812157682	2/2 Valve	1		
6	4812157772	Hand pump	1		
6	4812157773	Kit manual lever	1		
7	4812157683	Orifice	1		
8	4812157684	Orifice	1		
9	4812157685	Orifice	1		
10	4812157686	Brake pressure relief valve	1		
11	4812157687	Proportional pressure relief valve	1		
11	4812160654	Coil	1		
12	4812157688	Check valve	1		

**Electric cables, power supply, 1-pole** Electric cables, power supply, 1-pole

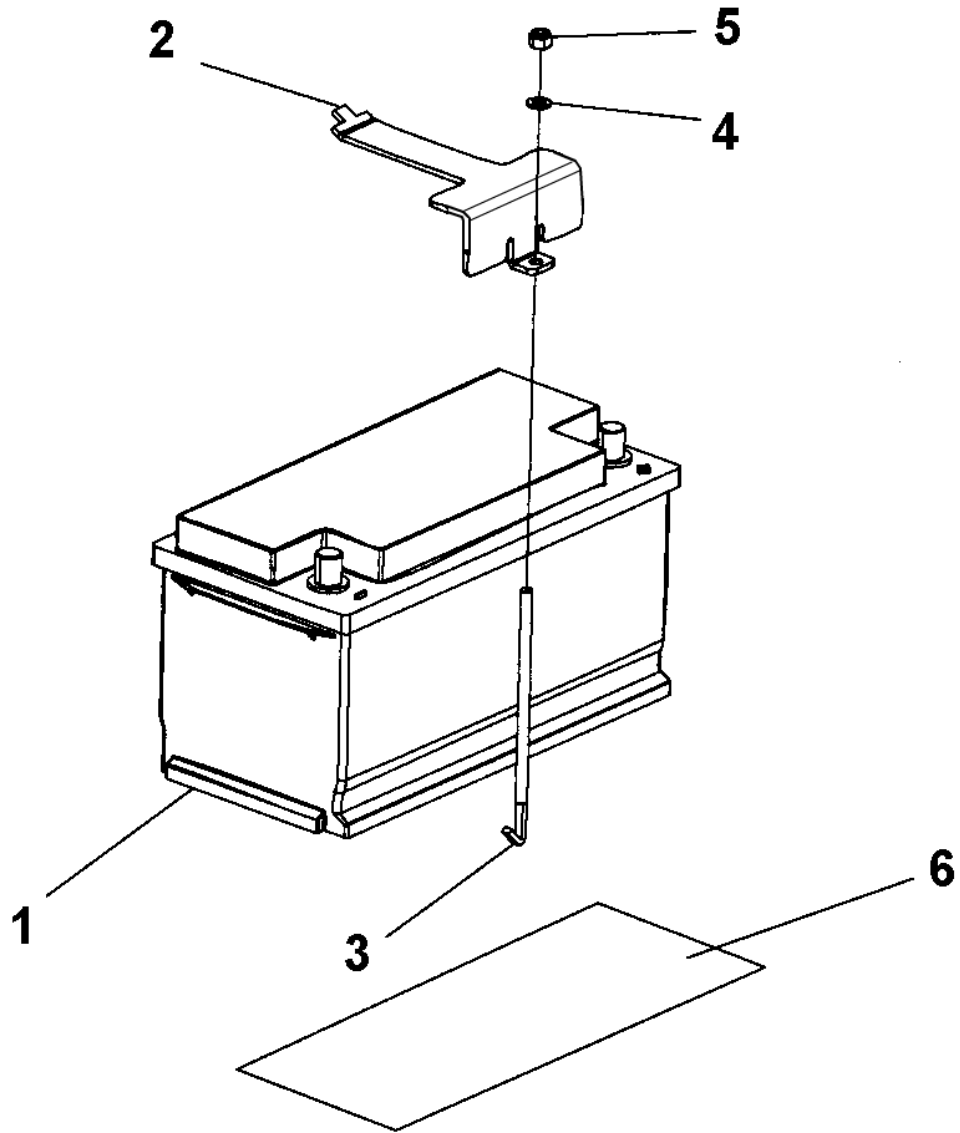


Refer to Parts Online for the most up to date information. The printed information might be outdated.

Wed Nov 21 11:45:40 UTC 2018

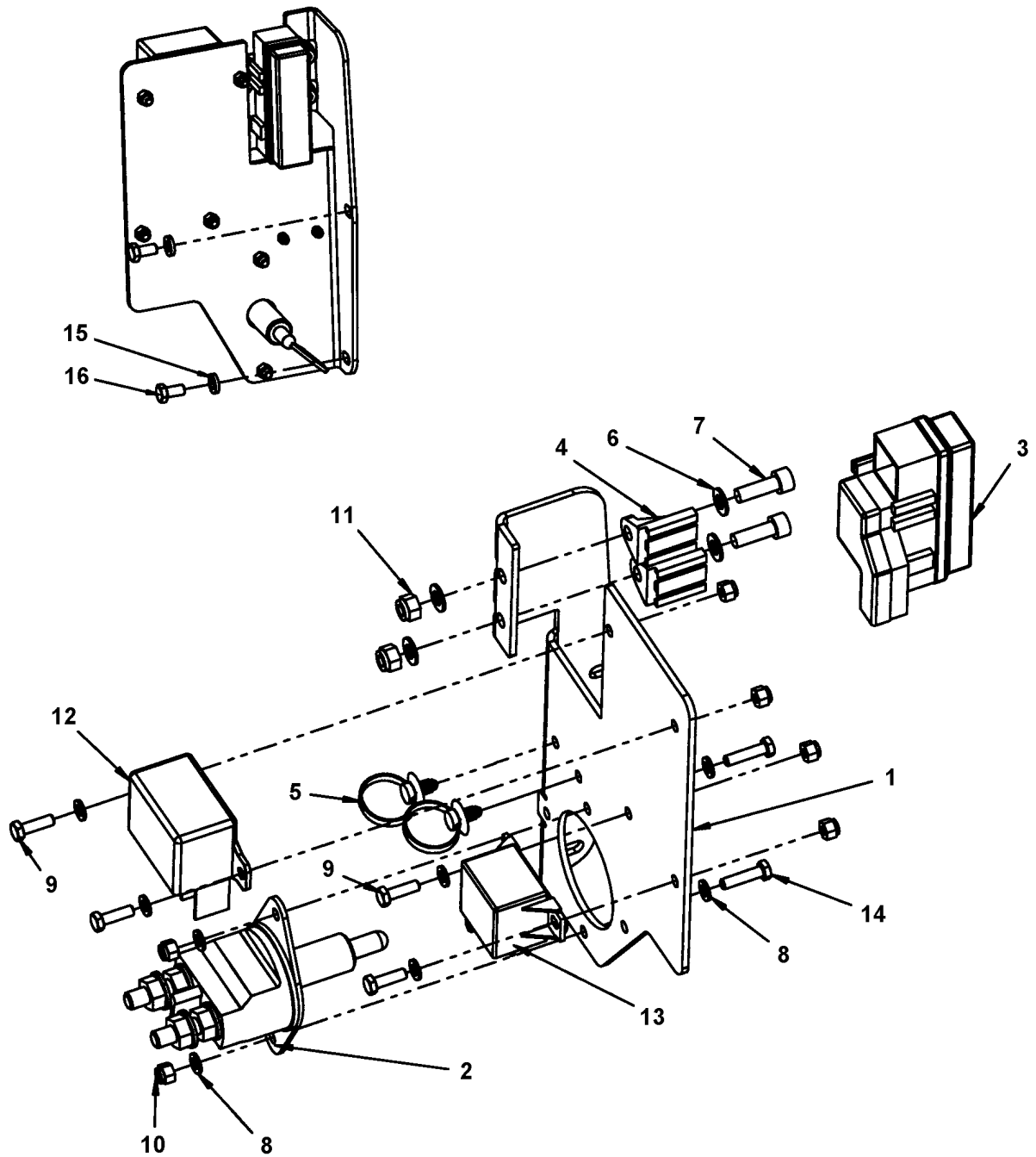
Item	Part No.	Name	Qty	L	SN INFO
1	-	Battery module	2		
2	-	Battery disconnecter module	1		
3	4811000178	Connection cable, coarse	1		
4	4812115998	Connection cable, coarse	1		
5	4812115996	Connection cable, coarse	1		
6	4812115997	Connection cable, coarse	1		
7	4812115993	Battery cable	1		
8	4811000176	Battery cable	1		
9	4700791518	Connection cable, coarse	1		
10	4812118467	Battery union cable	1		
11	4700792441	Cable tie with holder	6		
12	4700570101	Nut M6	1		
13	4700904230	Steel plain washer	1		
14	4700500029	Steel plain washer	1		
15	4700904229	Washer, 8.4x 6x1.5 mm 300HV	1		
16	4700570005	Hexagon nut	1		
17	4700904557	Washer, 10.5x22x4 mm 300 HV	2		
21	4700904037	Fuse 30A Green	1		
22	4700904039	Fuse 50A Red	1		
23	4700791450	Fuse 100A Violet High	1		

**Electric cables, power supply, 1-pole** Battery module



Item	Part No.	Name	Qty	L	SN INFO
1	-	Battery 12V, 74 Ah (278x175x190)	1		
2	4812123035	Battery holder	1		
3	4700396635	Battery screw	1		
4	4700904229	Washer, 8.4x 6x1.5 mm 300HV	1		
5	4700586003	Lock nut M8	1		
6	4700355608	Slip protection	1		

**Electric cables, power supply, 1-pole** Battery disconnecter module



Refer to Parts Online for the most up to date information. The printed information might be outdated.

Wed Nov 21 11:45:41 UTC 2018

Item	Part No.	Name	Qty	L	SN INFO
1	4812116861	Holder	1		
2	4700903640	Battery switch	1		
2	4700903641	Battery key	1		
3	4812111981	Fuse holder	1		
4	4812112000	Fuse holder	2		
5	4700792441	Cable tie with holder	2		
6	4700904229	Washer, 8.4x 6x1.5 mm 300HV	4		
7	4700508019	Cylinder screw	2		
8	4700904228	Washer 6,4x12x1,5	8		
9	4700500040	Screw, M6x20 mm 8.8 A2K	4		
10	4700586002	Lock nut M6 -8	6		
11	4700586003	Lock nut M8	2		
12	4700792310	Relay 120A	1	B	
13	4700792309	Relay	1	A	
14	4700500075	Screw, M6-1,0x25 mm 8.8	2		
15	4700904556	Steel plain washer 8,4x16x3,0	2		
16	4700500019	Hexagon screw	2		

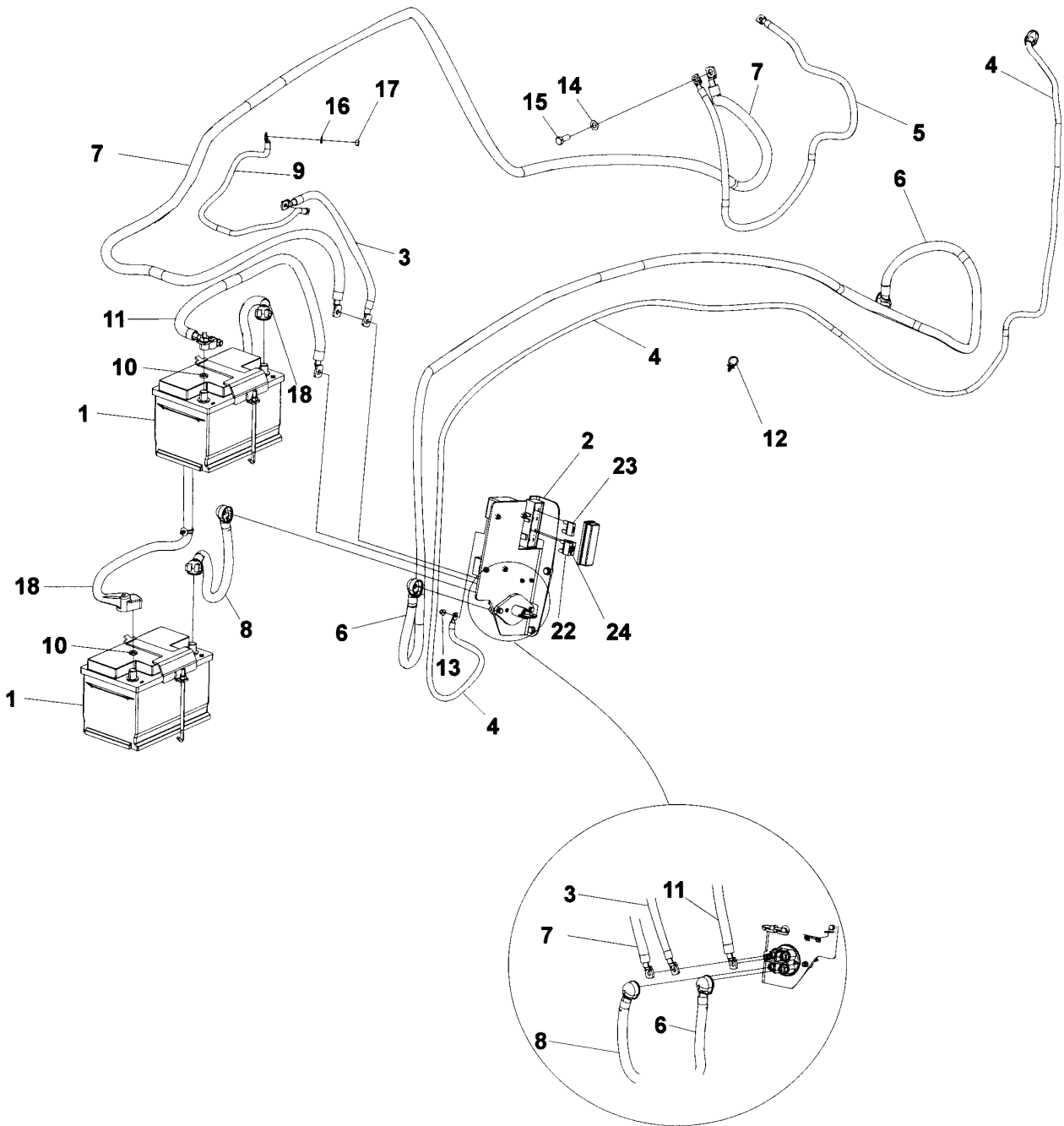
Comments for Page: Battery disconnecter module

(L)OCAL REMARKS

A | en\_US | Starter relay.

B | en\_US | Grid heater relay.

**Electric cables, power supply, 2-pole, option** Electric cables, power supply, 2-pole, option



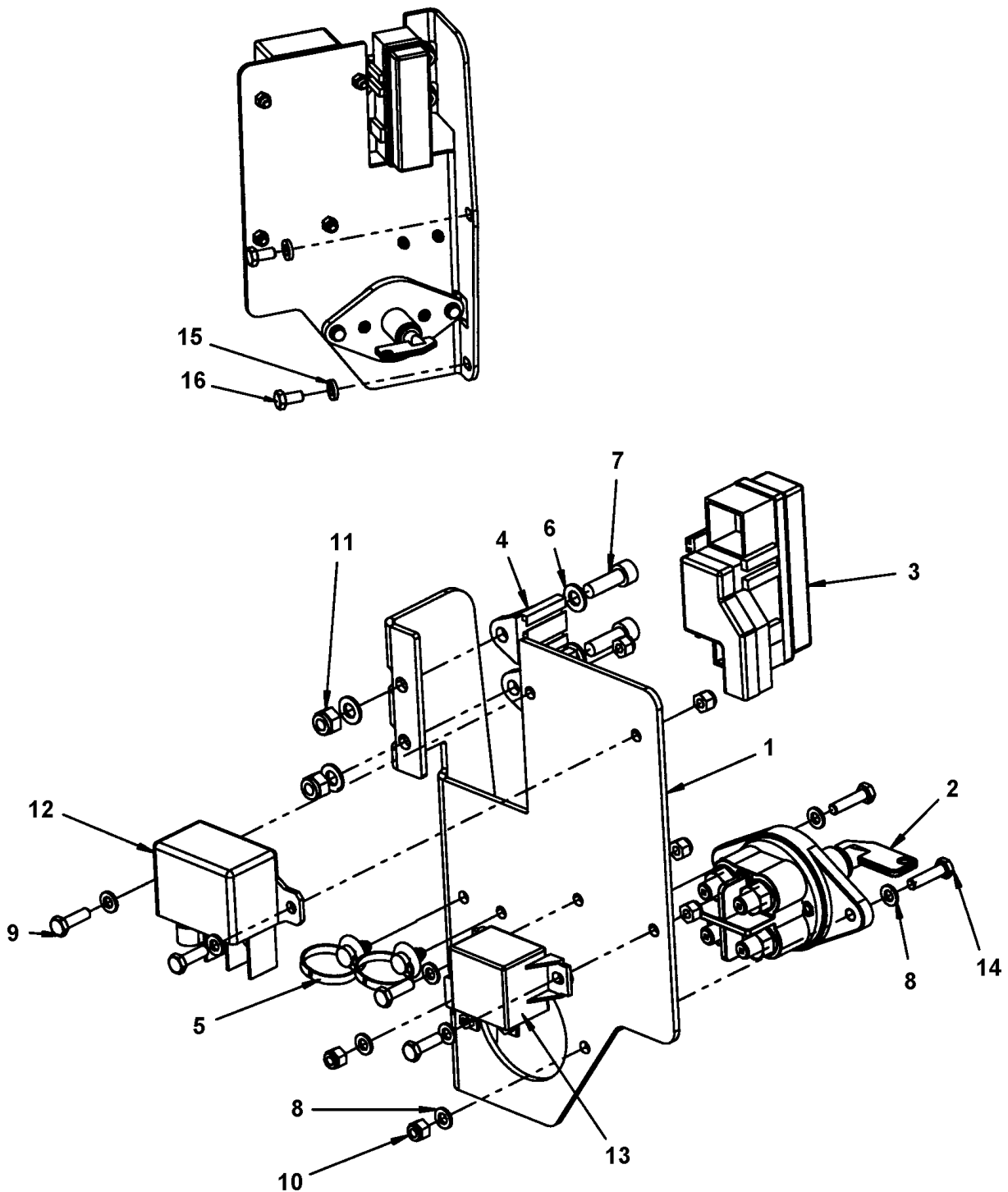
Refer to Parts Online for the most up to date information. The printed information might be outdated.

Wed Nov 21 11:45:41 UTC 2018



Item	Part No.	Name	Qty	L	SN INFO
1	-	Battery module	2		
2	-	Battery disconnecter, 2-pole	1		
3	4812118385	Connection cable, coarse	1		
4	4812115998	Connection cable, coarse	1		
5	4812115996	Connection cable, coarse	1		
6	4812115997	Connection cable, coarse	1		
7	4812117521	Connection cable, coarse	1		
8	4811000176	Battery cable	1		
9	4700791518	Connection cable, coarse	1		
10	4700904557	Washer, 10.5x22x4 mm 300 HV	2		
11	4812116362	Battery cable	1		
12	4700792441	Cable tie with holder	N		
13	4700570101	Nut M6	1		
14	4700904230	Steel plain washer	1		
15	4700500029	Steel plain washer	1		
16	4700904229	Washer, 8.4x 6x1.5 mm 300HV	1		
17	4700570005	Hexagon nut	1		
18	4812118467	Battery union cable	1		
22	4700904037	Fuse 30A Green	1		
23	4700904039	Fuse 50A Red	1		
24	4700791450	Fuse 100A Violet High	1		

**Electric cables, power supply, 2-pole, option Battery disconnecter, 2-pole**



Refer to Parts Online for the most up to date information. The printed information might be outdated.

Wed Nov 21 11:45:41 UTC 2018

Item	Part No.	Name	Qty	L	SN INFO
1	4812116861	Holder	1		
2	4812116877	Battery switch	1		
3	4812111981	Fuse holder	1		
4	4812112000	Fuse holder	2		
5	4700792441	Cable tie with holder	2		
6	4700904229	Washer, 8.4x 6x1.5 mm 300HV	4		
7	4700508019	Cylinder screw	2		
8	4700904228	Washer 6,4x12x1,5	8		
9	4700500040	Screw, M6x20 mm 8.8 A2K	4		
10	4700586002	Lock nut M6 -8	6		
11	4700586003	Lock nut M8	2		
12	4700792310	Relay 120A	1	B	
13	4700792309	Relay	1	A	
14	4700500075	Screw, M6-1,0x25 mm 8.8	2		
15	4700904556	Steel plain washer 8,4x16x3,0	2		
16	4700500019	Hexagon screw	2		

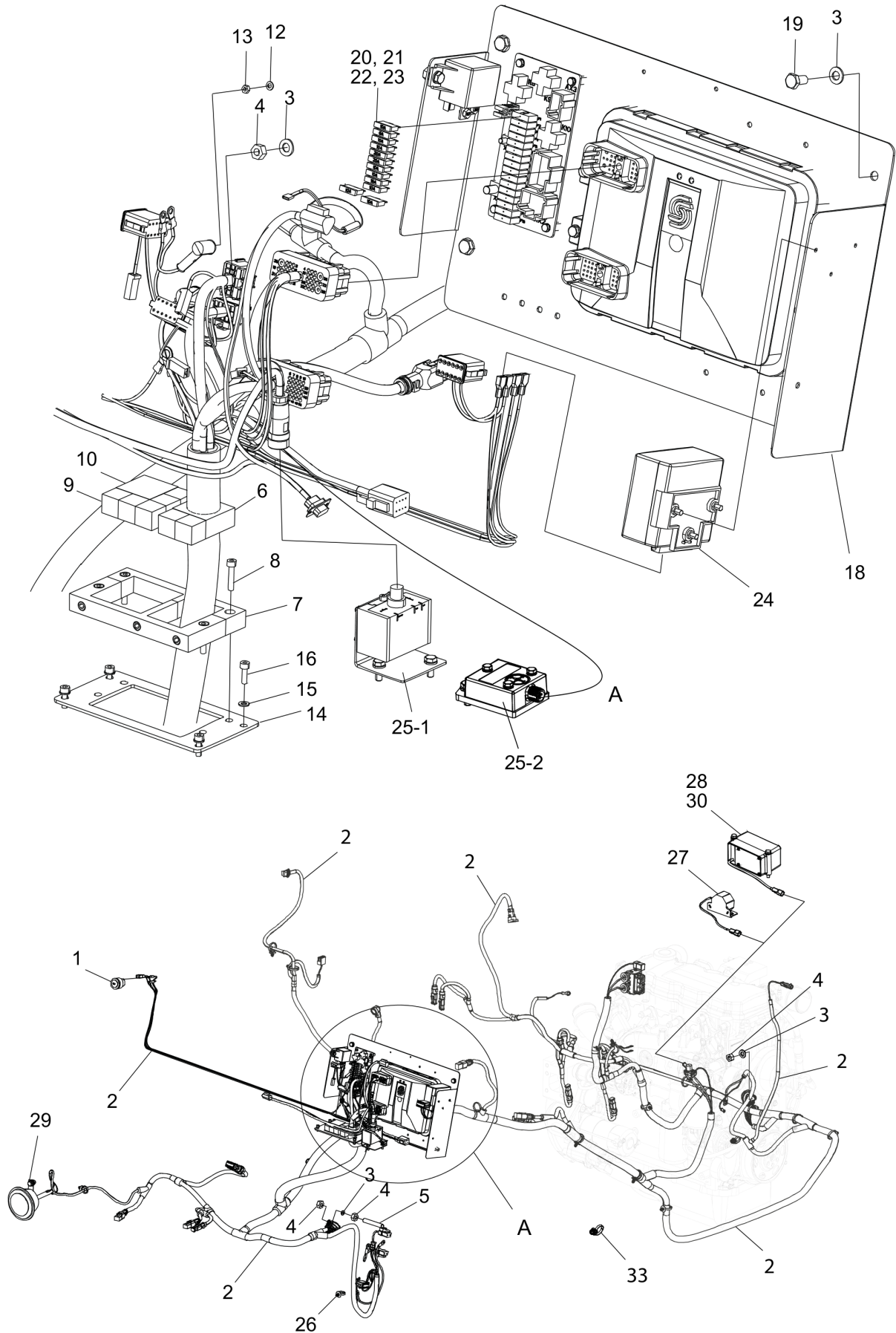
Comments for Page: Battery disconnecter, 2-pole

(L)OCAL REMARKS

A | en\_US | Starter relay.

B | en\_US | Grid heater relay.

Electrical cables, engine - ECU Horn, back-up alarm Electrical cables, engine - ECU Horn, back-up alarm



Refer to Parts Online for the most up to date information. The printed information might be outdated.

Wed Nov 21 11:45:42 UTC 2018

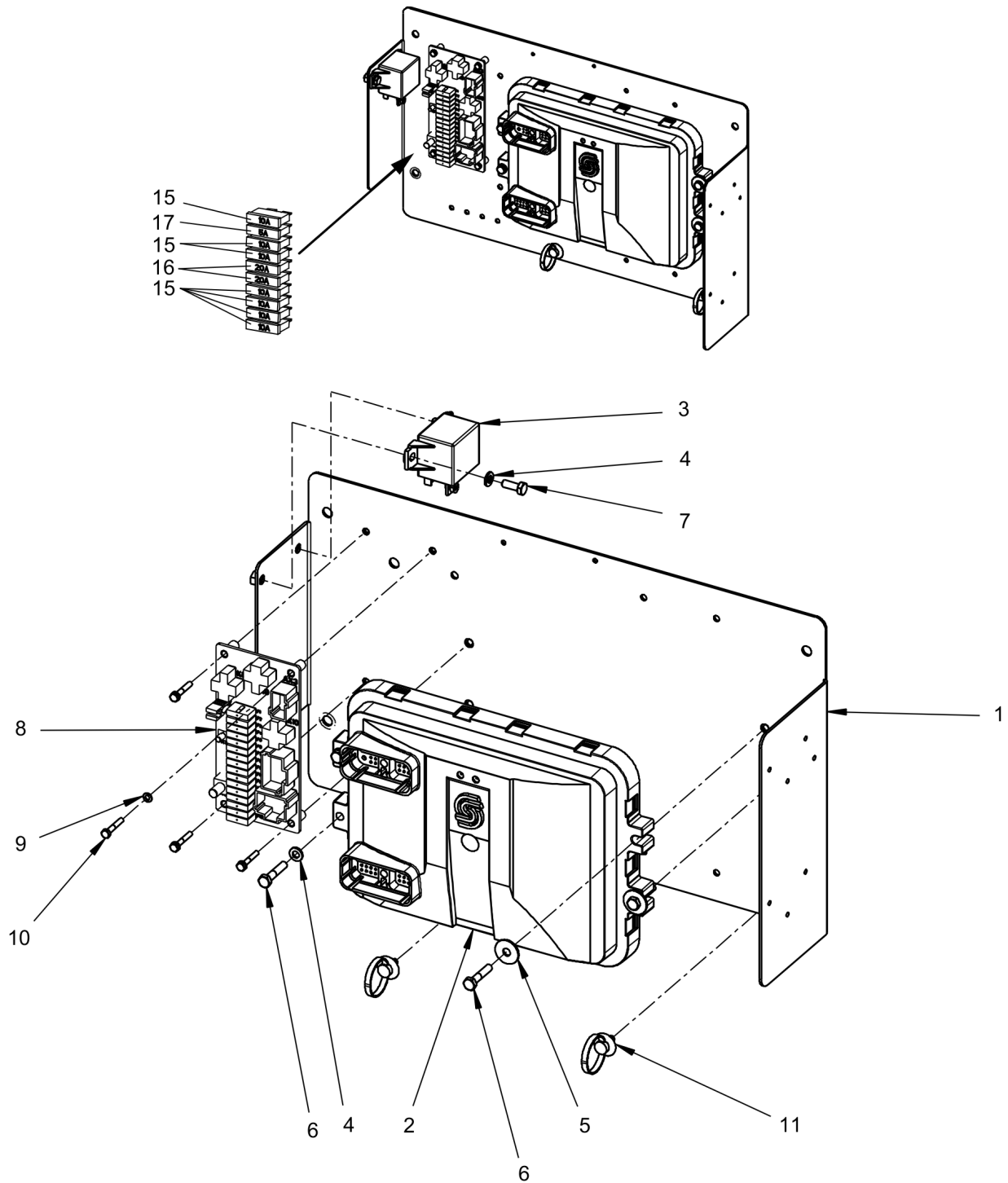
Item	Part No.	Name	Qty	L	SN INFO
1	4812110560	Power socket 12V	1		
2	4812120347	Cable harness	1		
3	4700904229	Washer, 8.4x 6x1.5 mm 300HV	7		
4	4700570005	Hexagon nut	4		
5	0248998073	Threaded stud	1		
6	4812112067	Cable entry insert	1		
7	4812112065	Cable entry frame	1		
8	4700508023	Screw	4		
9	4812112066	Cable entry insert	7		
10	4812112070	Cable entry insert	1		
12	4700904698	Plain washer	1		
13	4700570002	Nut M4	1		
14	4812114426	Holder	1		
15	4700904281	Washer, 5,3x10x1 300HV	4		
16	4700926537	Screw	4		
18	-	Standard ECU assembly	1		
19	4700500019	Hexagon screw	4		
20	4700901225	Fuse 5A Tan	1		
21	4700901227	Fuse 10A Red	8		
22	4700903741	Fuse 20A Yellow	2		
23	4700901226	Fuse 7.5A Brown	1		
24	-	Power converter module	1		
25-1	-	Inclination sensor module	1		To A017098
25-2		Inclination sensor module	1		From A017099
26	4700792441	Cable tie with holder	N		
27	-	Back-up alarm module	1		
28	-	Back-up alarm module	1	A	
29	-	Horn module	1		
30	-	Bracket module	1		
33	4700792602	Cable tie with holder	1		

Comments for Page: Electrical cables, engine - ECU Horn, back-up alarm

(L)OCAL REMARKS

A | en\_US | Quacker.

Electrical cables, engine - ECU Horn, back-up alarm Standard ECU assembly



Refer to Parts Online for the most up to date information. The printed information might be outdated.

Wed Nov 21 11:45:43 UTC 2018

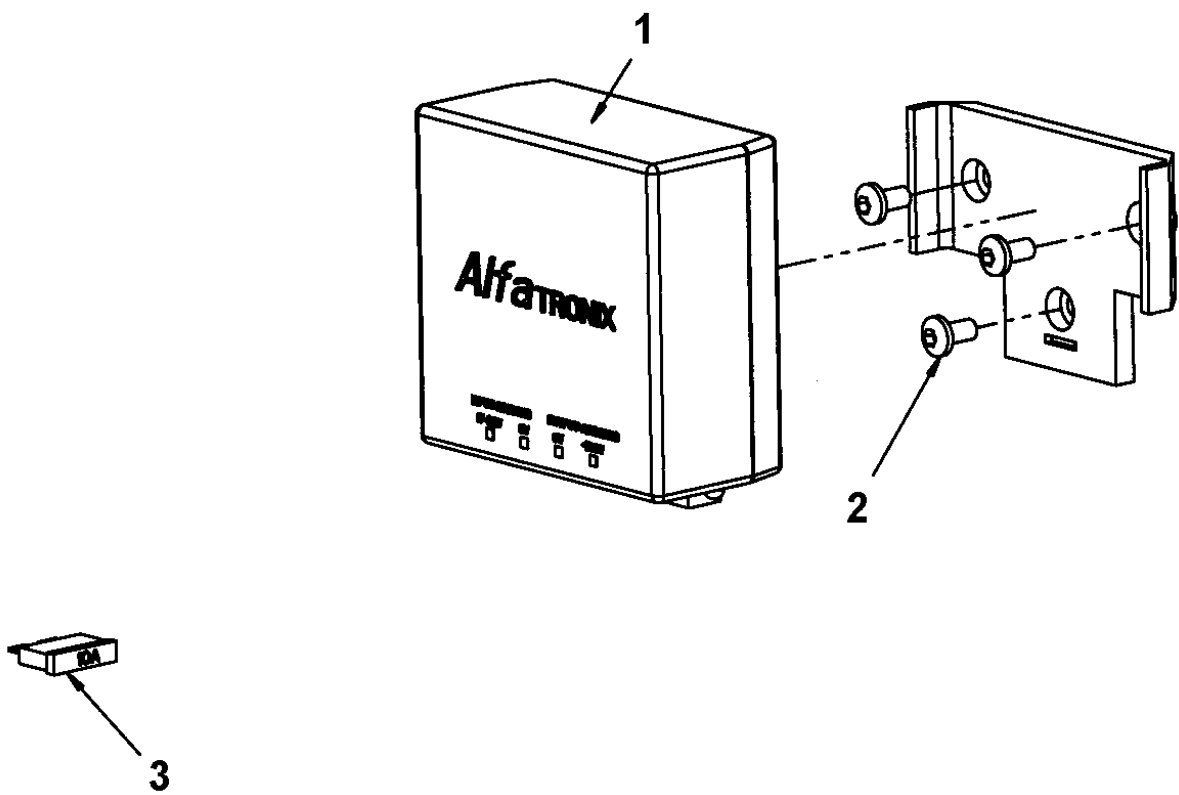
Item	Part No.	Name	Qty	L	SN INFO
1	4812114619	Mounting plate	1		
2	4700390860	Control unit, main	1		
3	4700792309	Relay	1	A	
4	4700904228	Washer 6,4x12x1,5	4		
5	4700928467	Washer	2		
6	4700500015	Hex. screw	4		
7	4700500013	Screw, M6x16 mm 8.8 A2K	2		
8	4812114655	Circuit board	1		
9	4700904698	Plain washer	4		
10	4700904312	Screw	4		
11	4700792441	Cable tie with holder	2		
15	4700901227	Fuse 10A Red	7		
16	4700903741	Fuse 20A Yellow	2		
17	4700901225	Fuse 5A Tan	1		

Comments for Page: Standard ECU assembly

(L)OCAL REMARKS

A | en\_US | Main.

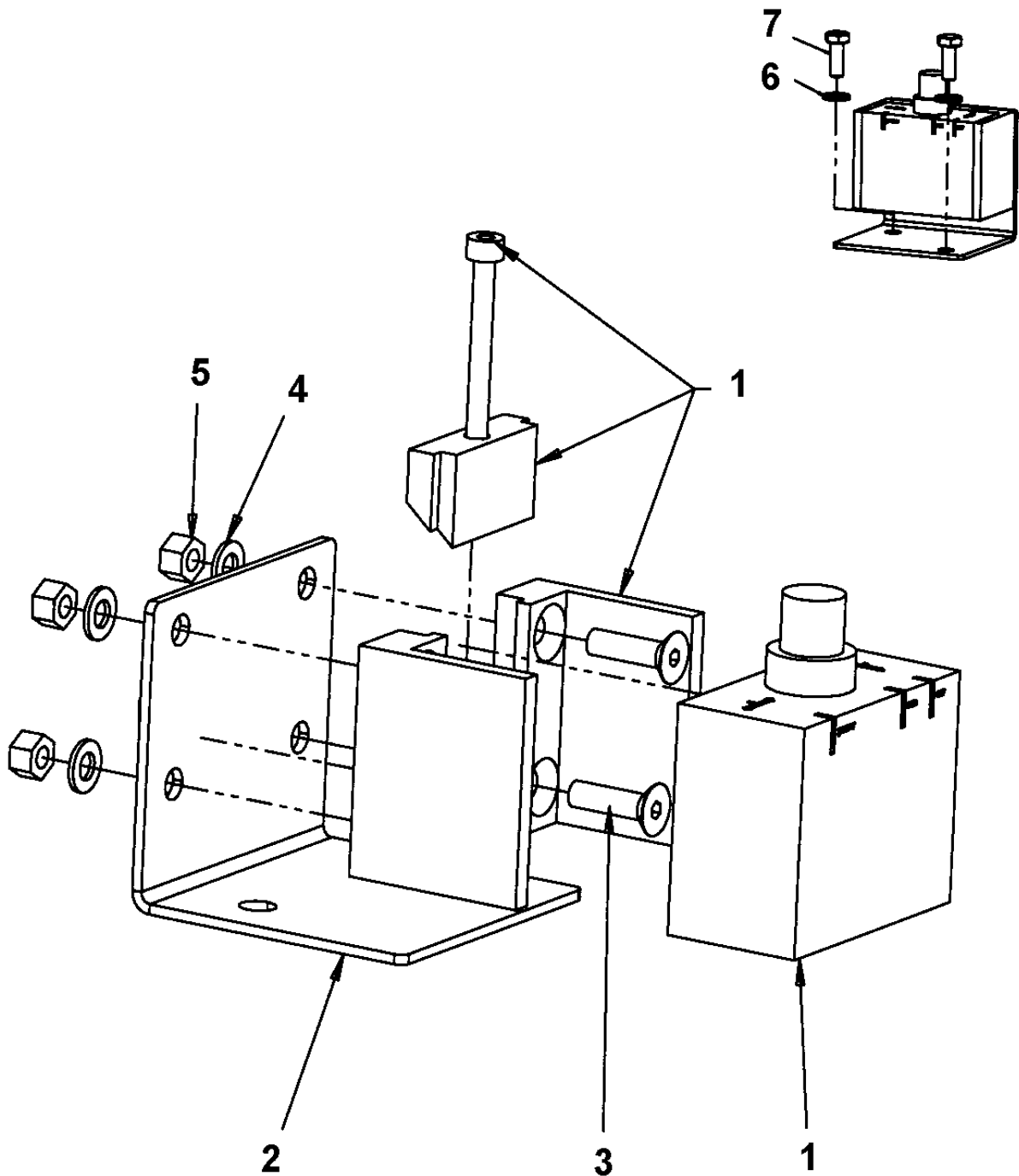
Electrical cables, engine - ECU Horn, back-up alarm Power converter module





Item	Part No.	Name	Qty	L	SN INFO
1	4812112017	Power converter	1		
2	4700792210	Screw torx	3		
3	4700901227	Fuse 10A Red	1		

Electrical cables, engine - ECU Horn, back-up alarm Inclination sensor module

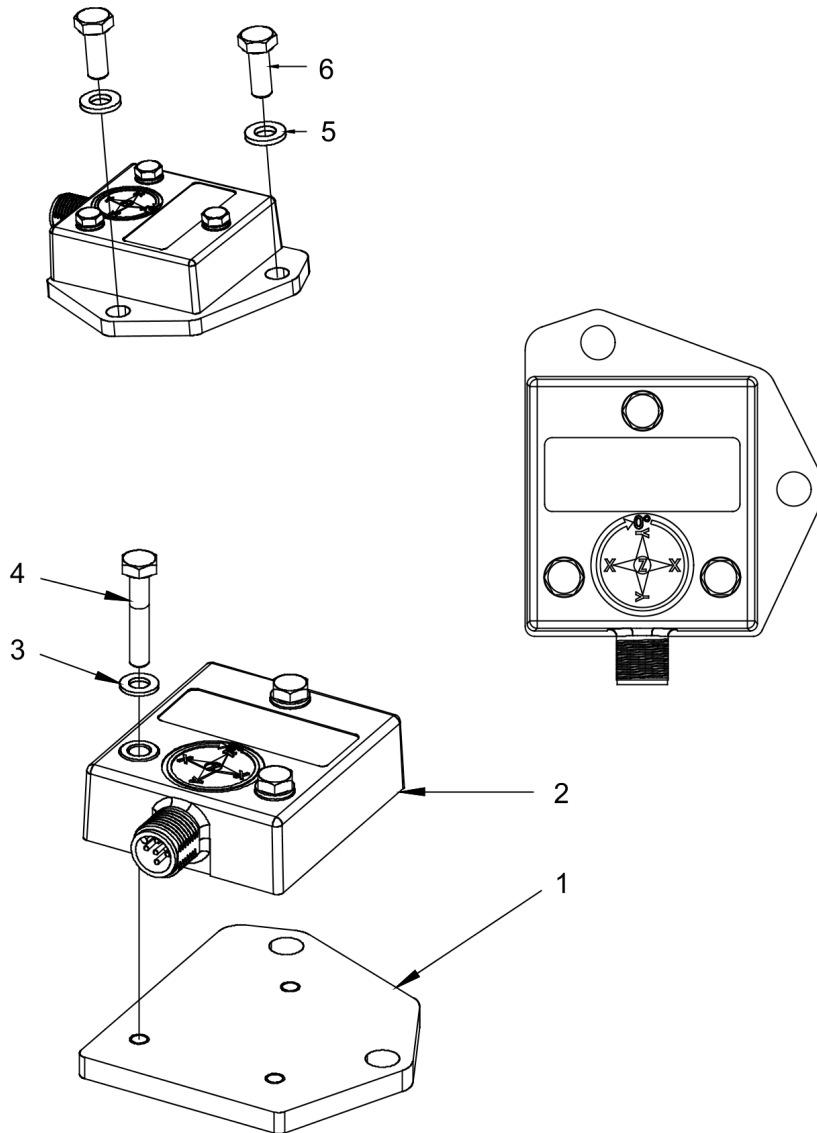


Refer to Parts Online for the most up to date information. The printed information might be outdated.

Wed Nov 21 11:45:43 UTC 2018

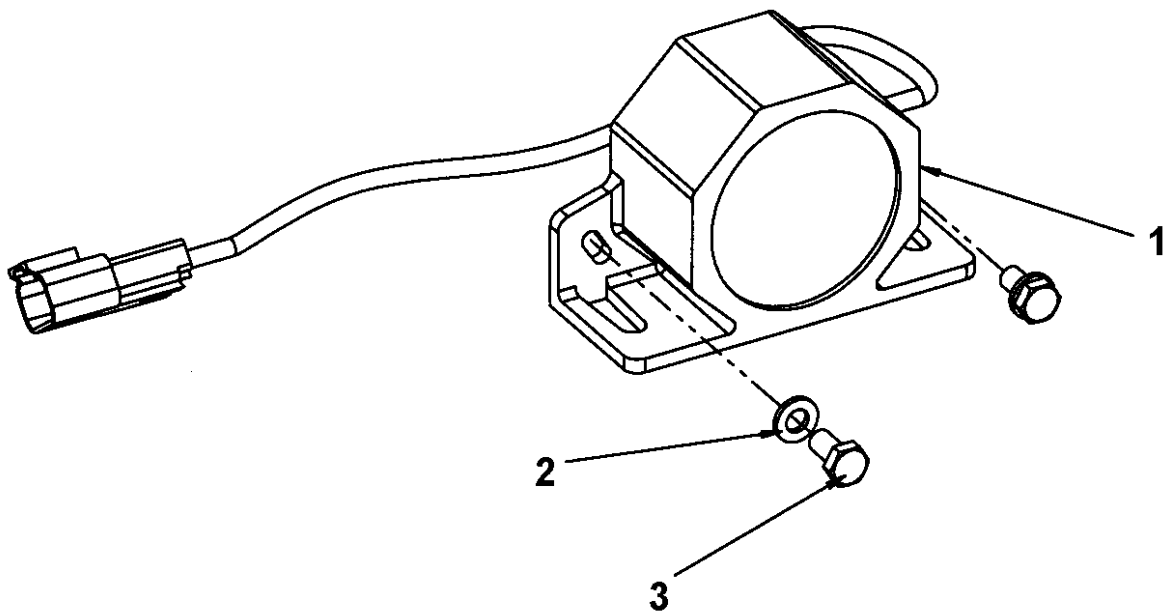
Item	Part No.	Name	Qty	L	SN INFO
1	4812112686	Inclination sensor	1		
2	4812112691	Holder	1		
3	4700904504	Screw M5 x 18	4		
4	4700904281	Washer, 5,3x10x1 300HV	4		
5	4700570003	Hex. nut	4		
6	4700904228	Washer 6,4x12x1,5	2		
7	4700500013	Screw, M6x16 mm 8.8 A2K	2		

**Electrical cables, engine - ECU Horn, back-up alarm** Inclination sensor module



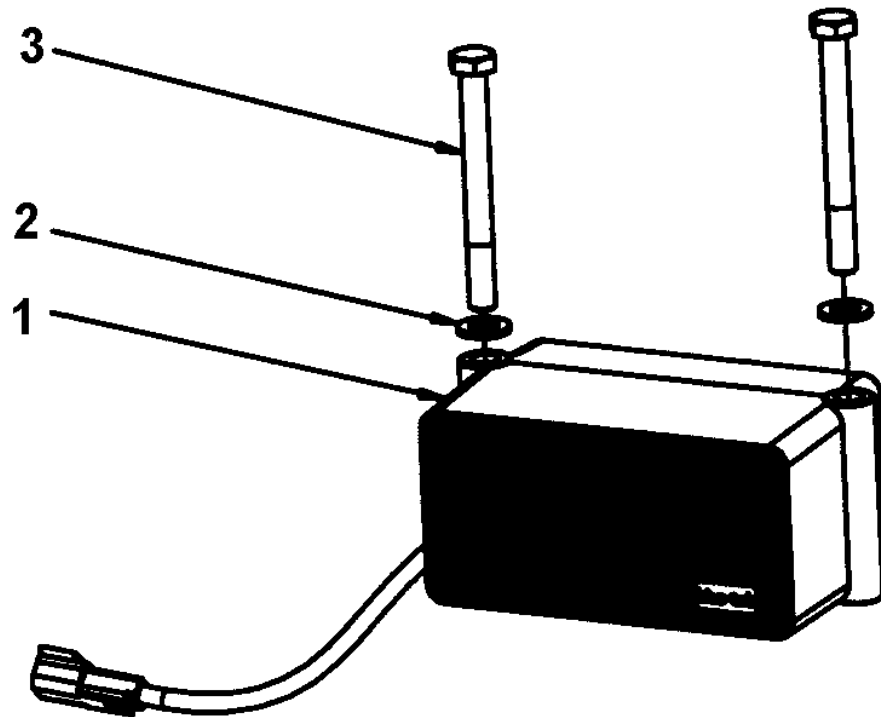
Item	Part No.	Name	Qty	L	SN INFO
1	4812124239	Bracket	1		
2	4812124238	Inclination sensor	1		
3	4700904698	Plain washer	3		
4	4700904311	Hexagon head screw	3		
5	4700904228	Washer 6,4x12x1,5	2		
6	4700500013	Screw, M6x16 mm 8.8 A2K	2		

**Electrical cables, engine - ECU Horn, back-up alarm** Back-up alarm module



Item	Part No.	Name	Qty	L	SN INFO
1	4700904911	Back-up alarm	1		
2	4700904228	Washer 6,4x12x1,5	2		
3	4700500013	Screw, M6x16 mm 8.8 A2K	2		

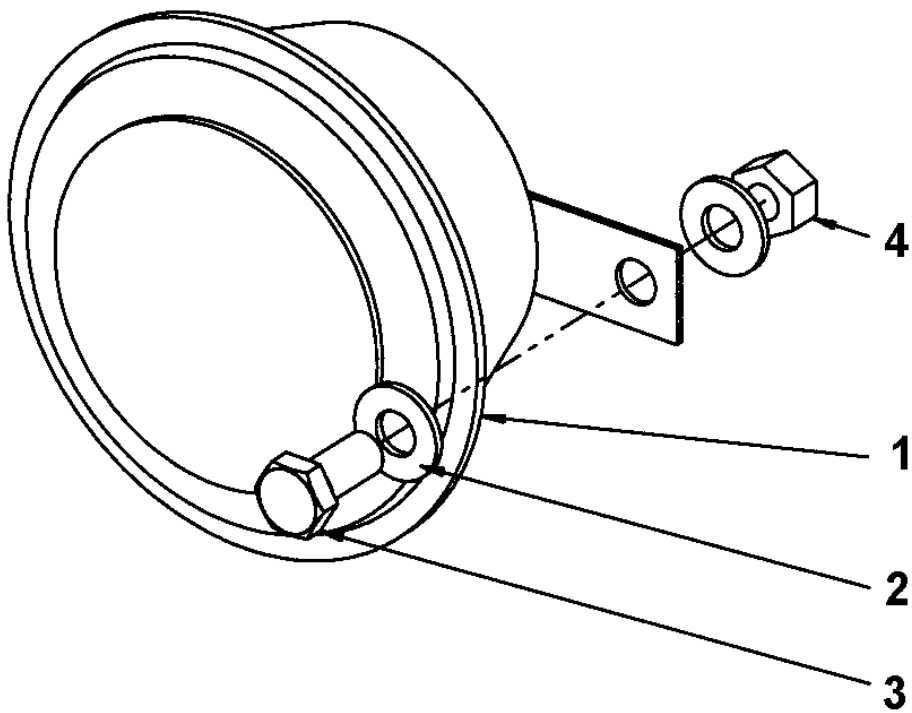
**Electrical cables, engine - ECU Horn, back-up alarm** Back-up alarm module, Quacker





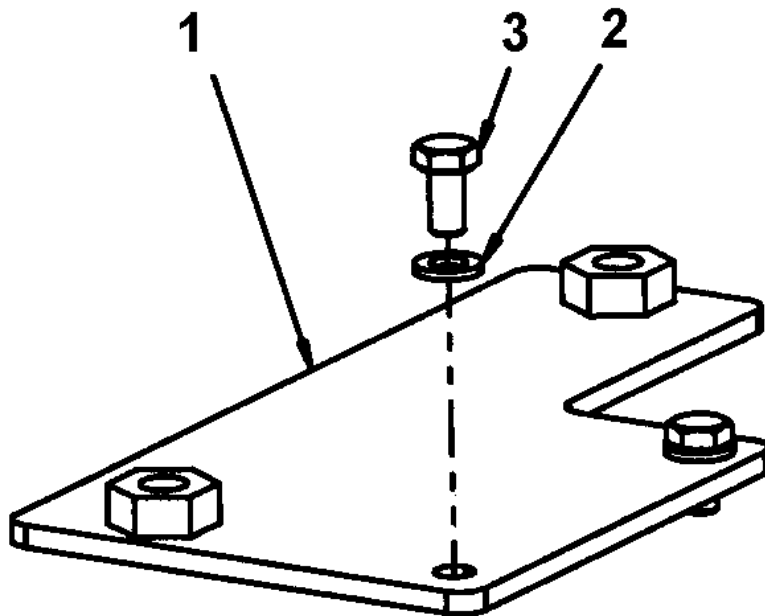
Item	Part No.	Name	Qty	L	SN INFO
1	4812117108	Back-up alarm	1		
2	4700904570	Steel plain washer	2		
3	4700792776	Screw	2		

**Electrical cables, engine - ECU Horn, back-up alarm** Horn module



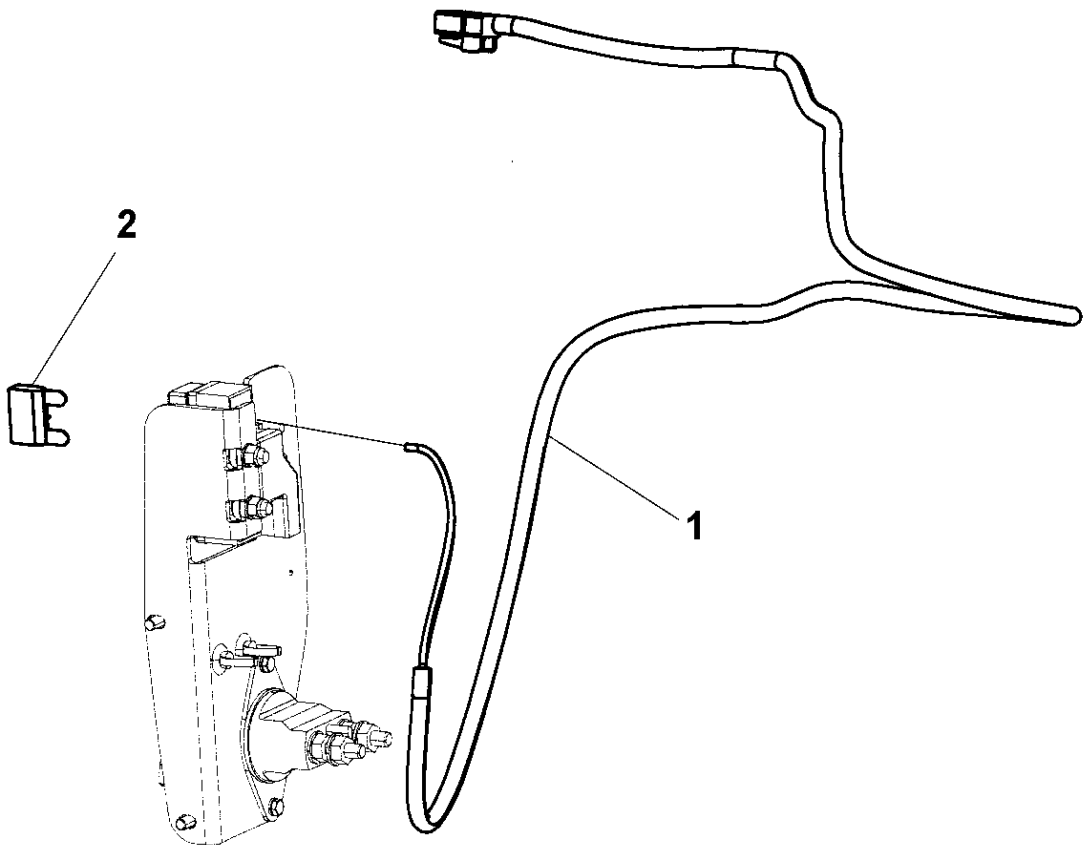
Item	Part No.	Name	Qty	L	SN INFO
1	4812115767	Horn	1		
2	4700904230	Steel plain washer	2		
3	4700500027	Screw M10-1,55x22 8.8	1		
4	4700570006	Hexagon nut	1		

Electrical cables, engine - ECU Horn, back-up alarm Bracket module



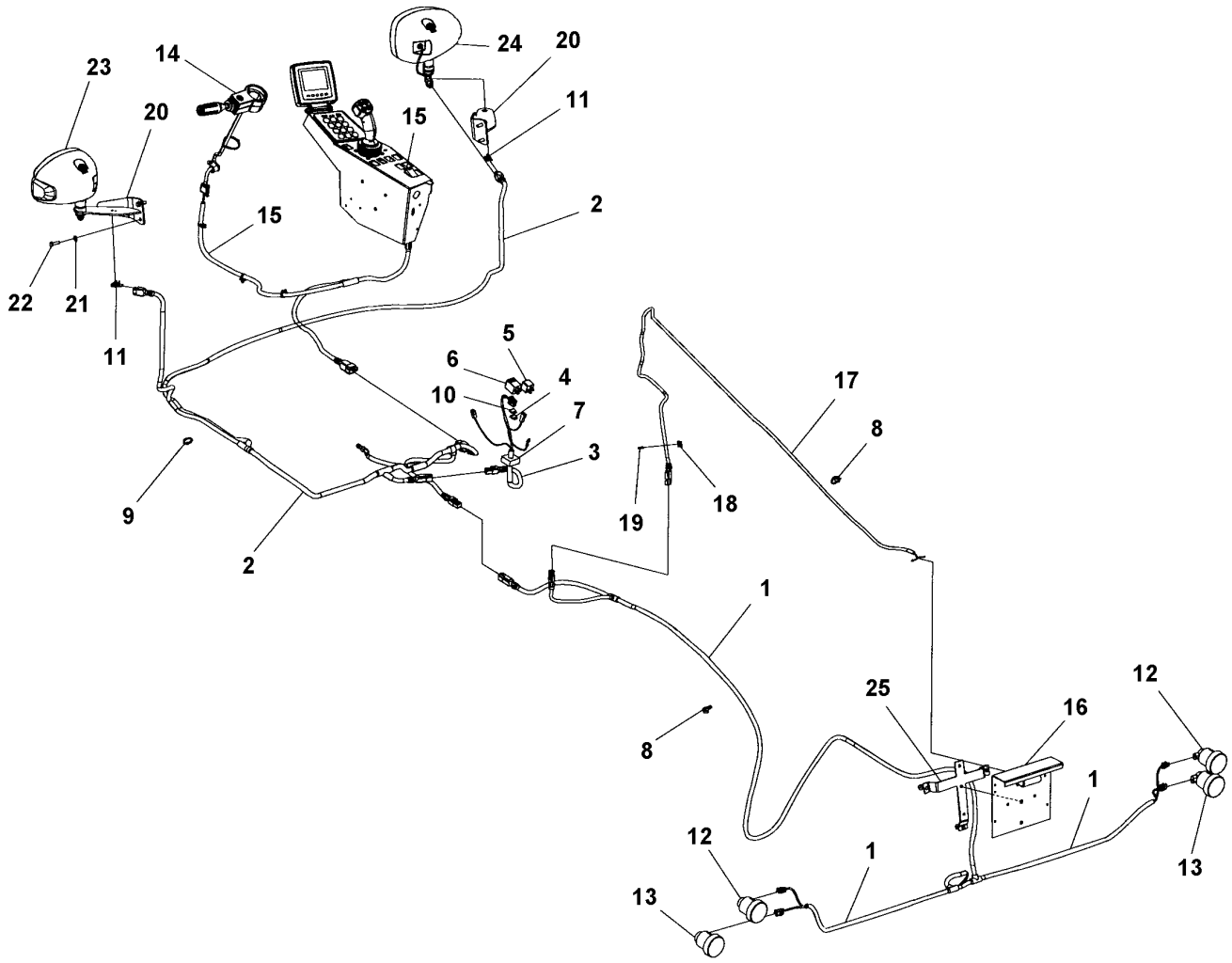
Item	Part No.	Name	Qty	L	SN INFO
1	4812117149	Bracket	1		
2	4700904228	Washer 6,4x12x1,5	2		
3	4700500012	Hex. screw	2		

**Electrical equipment** Cable harness kit Power supply cab



Item	Part No.	Name	Qty	L	SN INFO
1	4812111241	Cable harness	1		
2	4700904037	Fuse 30A Green	1		

Driving & side direction lights, number plate light, option Driving & side direction lights, number plate light, option



Refer to Parts Online for the most up to date information. The printed information might be outdated.

Wed Nov 21 11:45:44 UTC 2018



Item	Part No.	Name	Qty	L	SN INFO
1	4812110884	Cable harness	1		
2	4812112374	Cable harness	1		
3	4812114656	Cable harness	1		
4	4700901227	Fuse 10A Red	1		
5	4700792422	Relay 24V 20A	1		
6	4811000163	Flash relay	1		
7	4811000429	Cable entry insert	1		
8	4700792441	Cable tie with holder	26		
9	4700313041	Cable ties	11		
10	4700901226	Fuse 7.5A Brown	1		
11	4812114873	Connector holder	2		
12	4700792520	Direction indicator	2		
13	4700792519	Brake/position light	2		
14	-	Steering column switch module	1		
15	-	Cable harness kit	1		
16	-	Registration plate light module	1		
17	4812112916	Cable harness	1		
18	4700395352	Cable tie holder	5		
19	4700313068	Cable ties, L=92 mm	5		
20	4812112793	Bracket	2		
21	4700904229	Washer, 8.4x 6x1.5 mm 300HV	4		
22	4700500021	Screw, M8x25 mm 8.8 A2K	4		
23	4812113117	Head light, right hand asymmetric	1	A	
23	4812113140	Head light, left hand asymmetric	1	A	
24	4812113118	Head light, right hand asymmetric	1	B	
24	4812113141	Head light, left hand asymmetric	1	B	
25	-	Holder, Registration plate light	1		

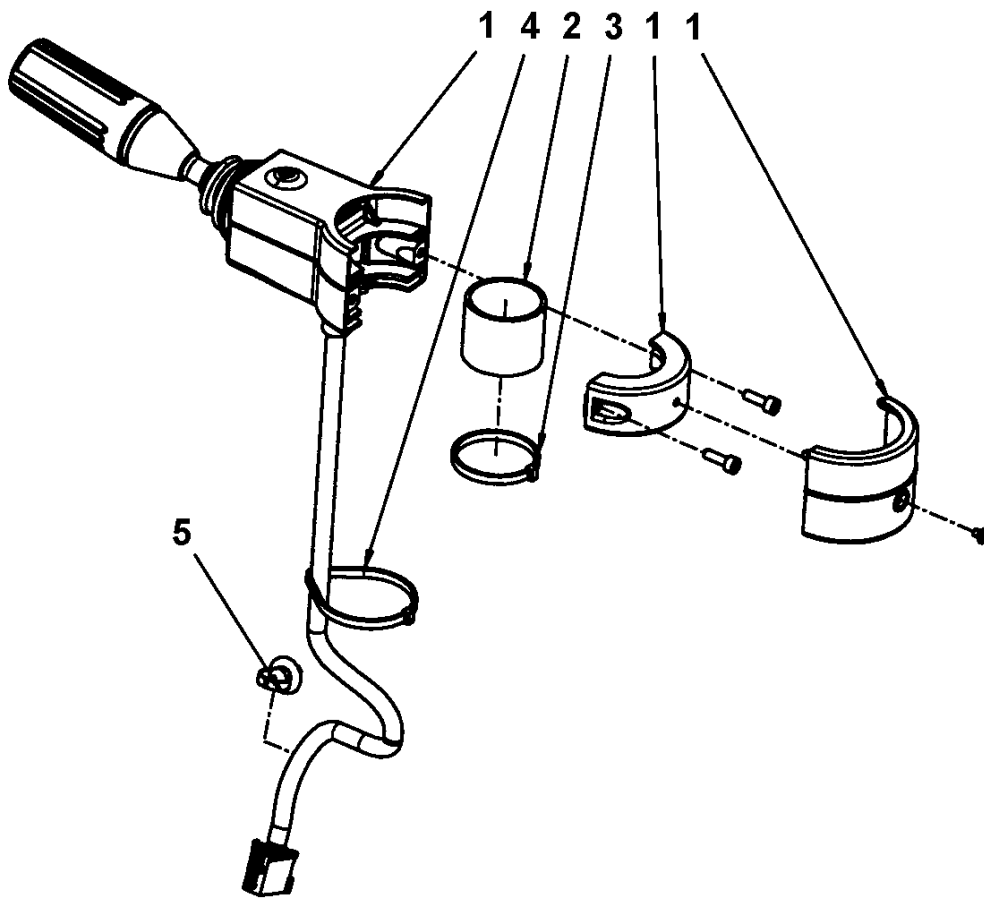
Comments for Page: Driving & side direction lights, number plate light, option

(L)OCAL REMARKS

A | en\_US | Left

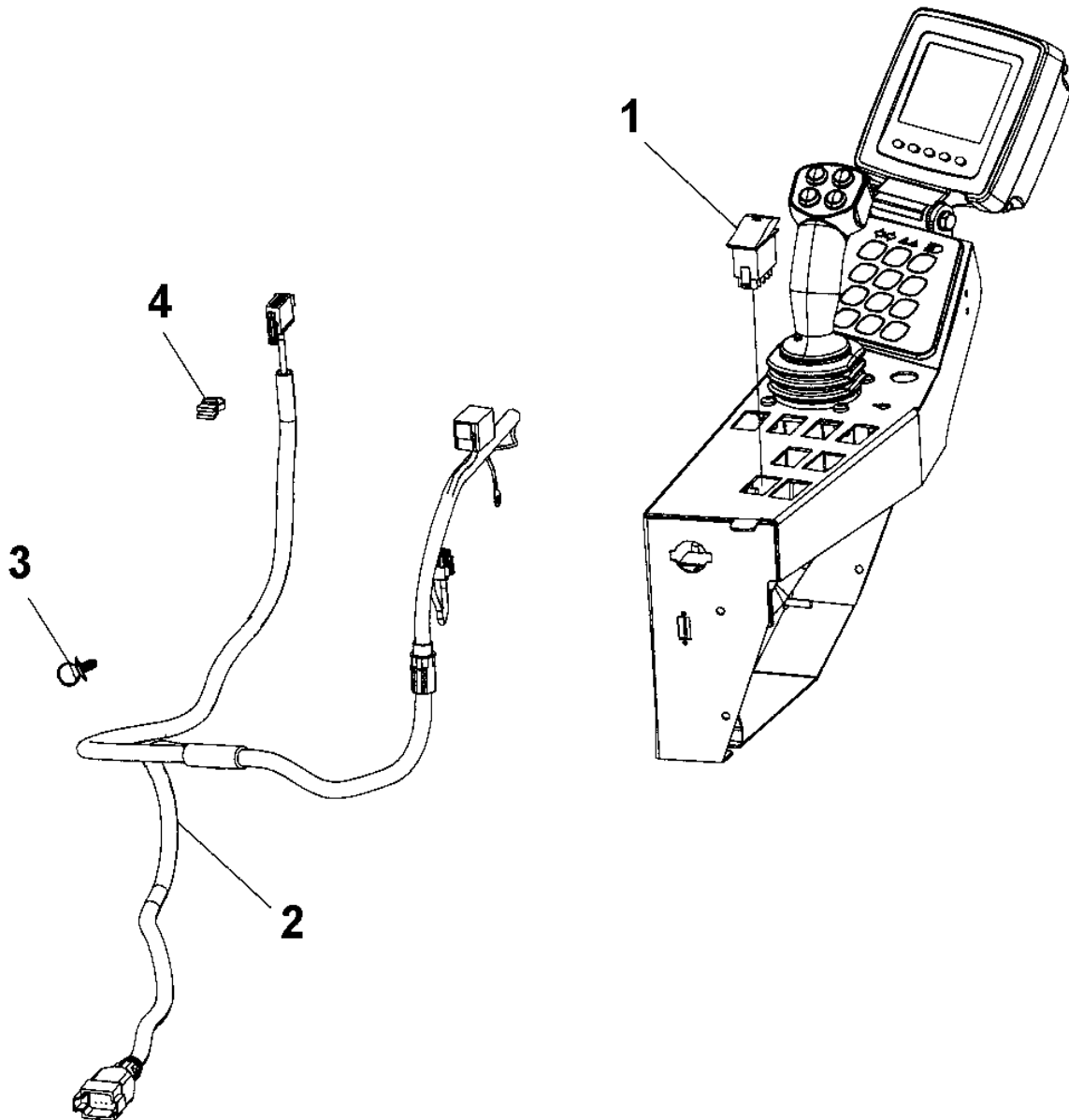
B | en\_US | Right

Driving & side direction lights, number plate light, option Steering column switch module



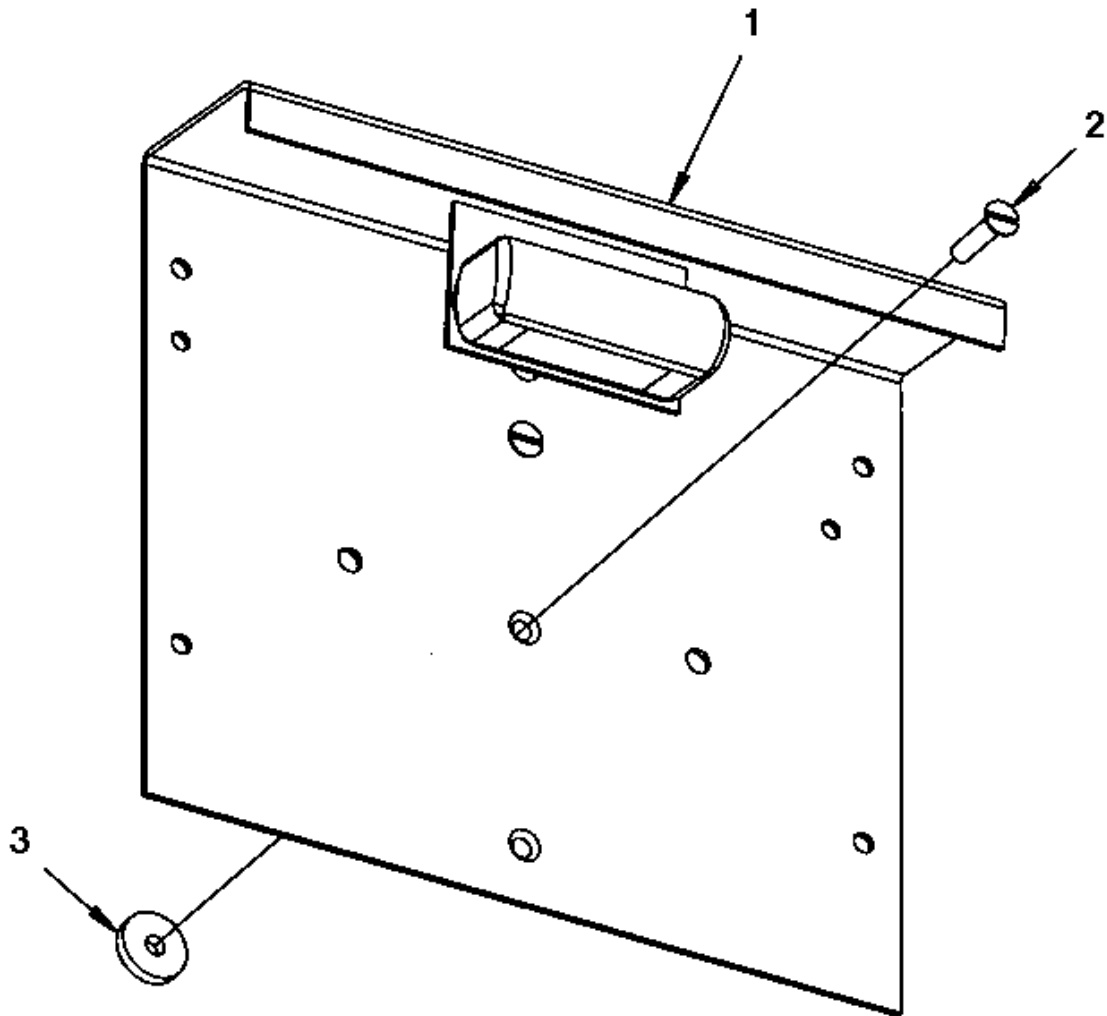
Item	Part No.	Name	Qty	L	SN INFO
1	4700392450	Steering column switch	1		
2	4700392451	Rubber cloth	1		
3	4700313041	Cable ties	1		
4	4700792609	Cable ties	1		
5	4700921080	Clamp	1		

**Driving & side direction lights, number plate light, option Cable harness kit**



Item	Part No.	Name	Qty	L	SN INFO
1	4700792398	Switch	1		
2	4812111248	Cable harness	1		
3	4700792441	Cable tie with holder	2		
4	4700792537	Cable tie with holder	1		

**Driving & side direction lights, number plate light, option** Registration plate light module

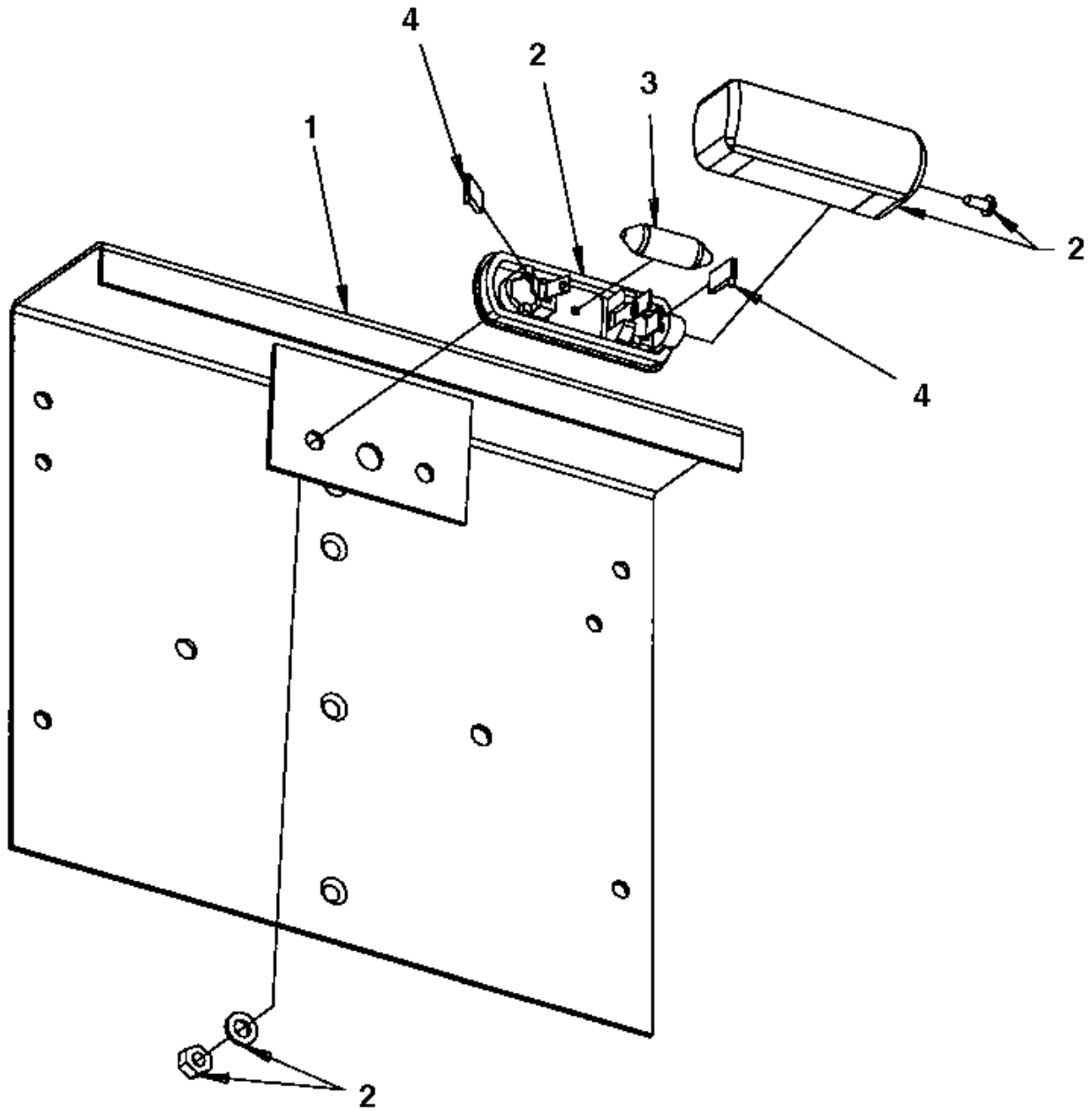


Refer to Parts Online for the most up to date information. The printed information might be outdated.

Wed Nov 21 11:45:44 UTC 2018

Item	Part No.	Name	Qty	L	SN INFO
1	-	Registration plate light	1		
2	4700928784	Screw	2		
3	4700904735	Steel plain washer	2		

Driving & side direction lights, number plate light, option Registration plate light



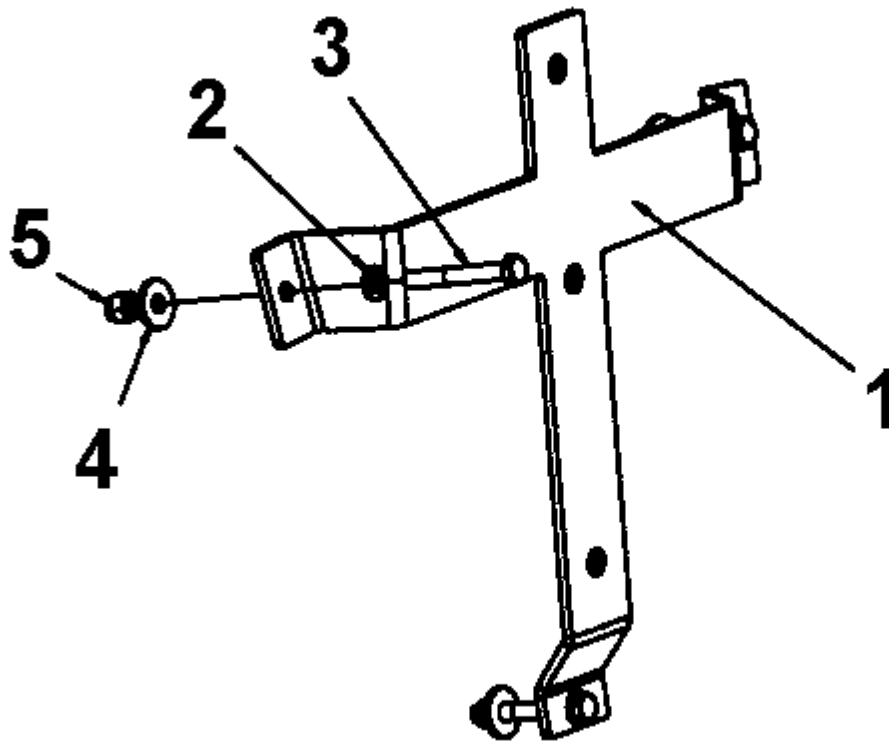
Refer to Parts Online for the most up to date information. The printed information might be outdated.

Wed Nov 21 11:45:44 UTC 2018



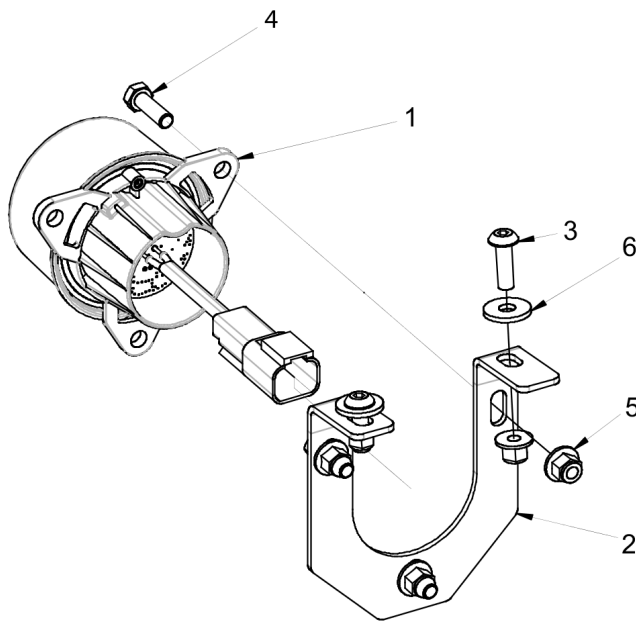
Item	Part No.	Name	Qty	L	SN INFO
1	4700355797	Licence plate holder	1		
2	4700929455	Licence plate light	1		
3	4700792354	Bulb 24V 5W	1		
4	4700792035	Push-on terminal	2		

**Driving & side direction lights, number plate light, option Holder, Registration plate light**



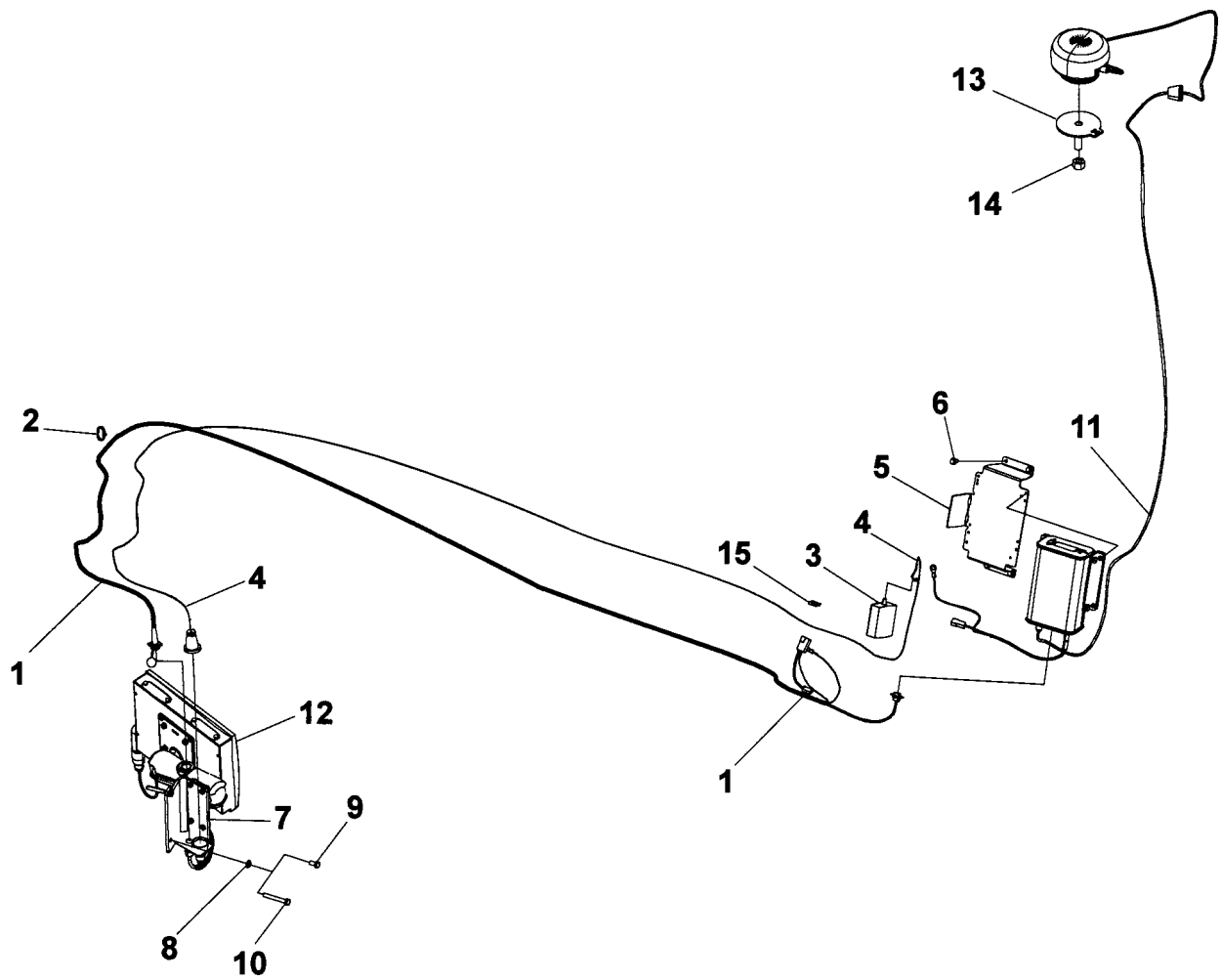
Item	Part No.	Name	Qty	L	SN INFO
1	4812112924	Holder	1		
2	4700904281	Washer, 5,3x10x1 300HV	3		
3	4700500010	Screw	3		
4	4700601001	Washer	3		
5	4700586001	Lock nut	3		

**Electrical equipment** Reversing light module



Item	Part No.	Name	Qty	L	SN INFO
1	4812120334	Reverse light LED	1		
2	4812120790	Bracket	1		
3	4700904653	Screw M5x16 A2-70	2		
4	4700500006	Screw M5x16	3		
5	4700902284	Nut M5	5		
6	4700601001	Washer	2		

DCA/GPS equipment module, option DCA/GPS equipment module, option



Refer to Parts Online for the most up to date information. The printed information might be outdated.

Wed Nov 21 11:45:45 UTC 2018

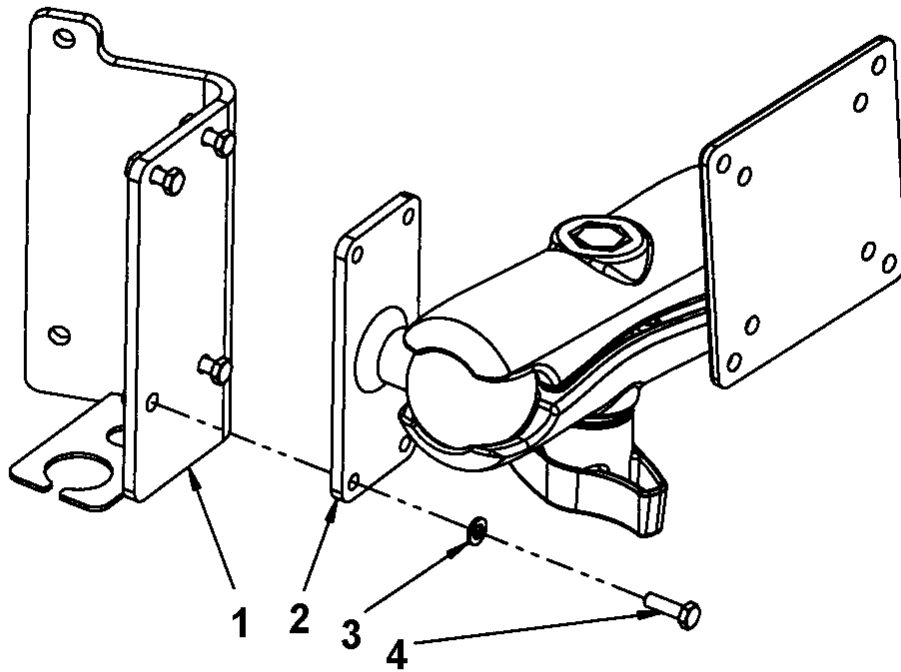
Item	Part No.	Name	Qty	L	SN INFO
1	4812113167	Cable harness	1		
2	4700313041	Cable ties	6		
3	4700792660	Gateway CAN/BUS	1		
4	4812115093	Cable harness	1		
5	4700394276	Bracket	1		
6	4700541702	Screw M6x12	4		
7	-	Holder	1		
8	4700904229	Washer, 8.4x 6x1.5 mm 300HV	2		
9	4700500019	Hexagon screw	2		
10	4700500026	Screw M8-1,25x60 mm 8.8	2	A	
11	-	GPS equipment module	1		
12	-	Computer	1		
13	4700394275	Bracket	1		
14	4700570008	Hex. nut	1		
15	4700901227	Fuse 10A Red	1		

Comments for Page: DCA/GPS equipment module, option

(L)OCAL REMARKS

A | en\_US | Used with comfort cab.

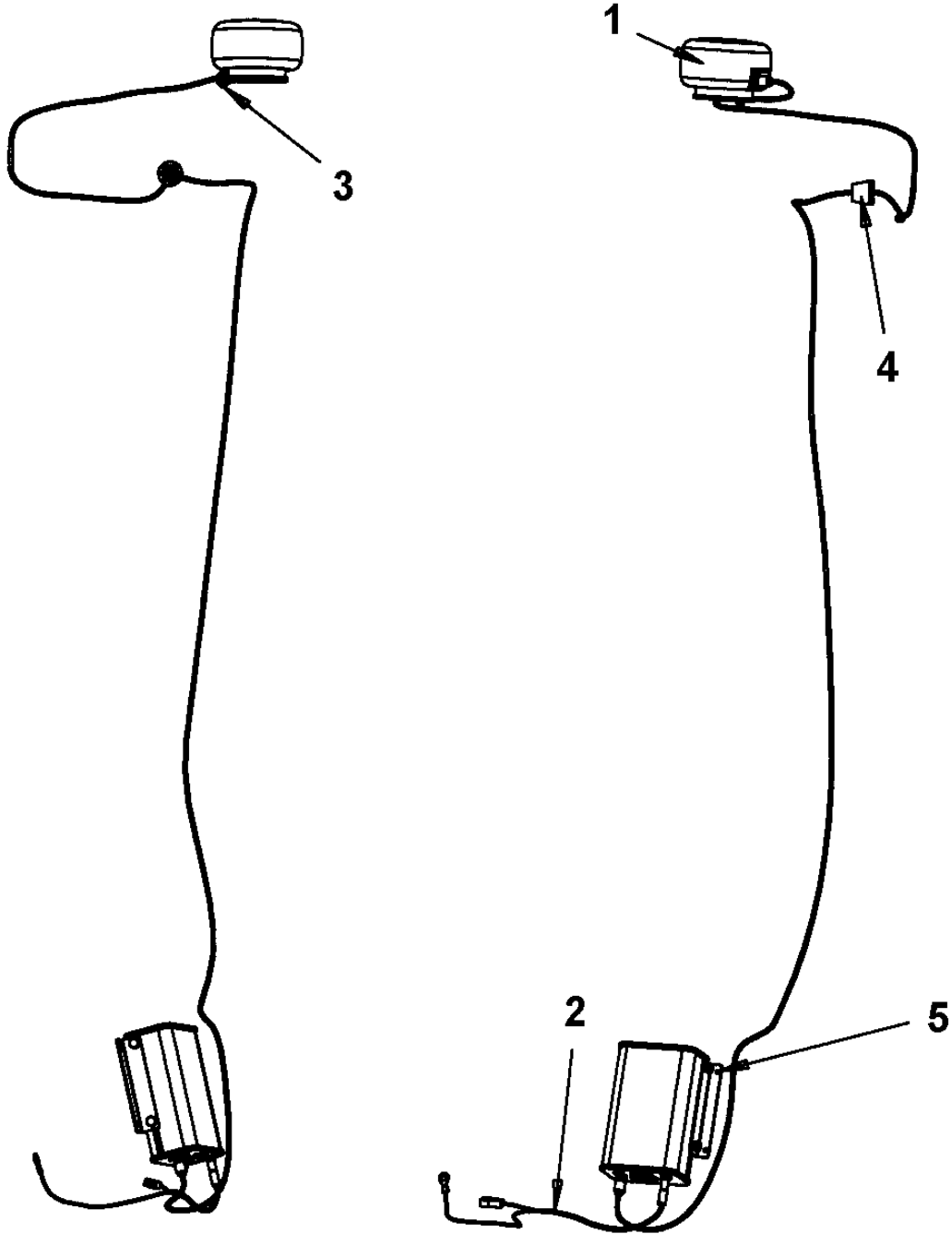
**DCA/GPS equipment module, option Holder**





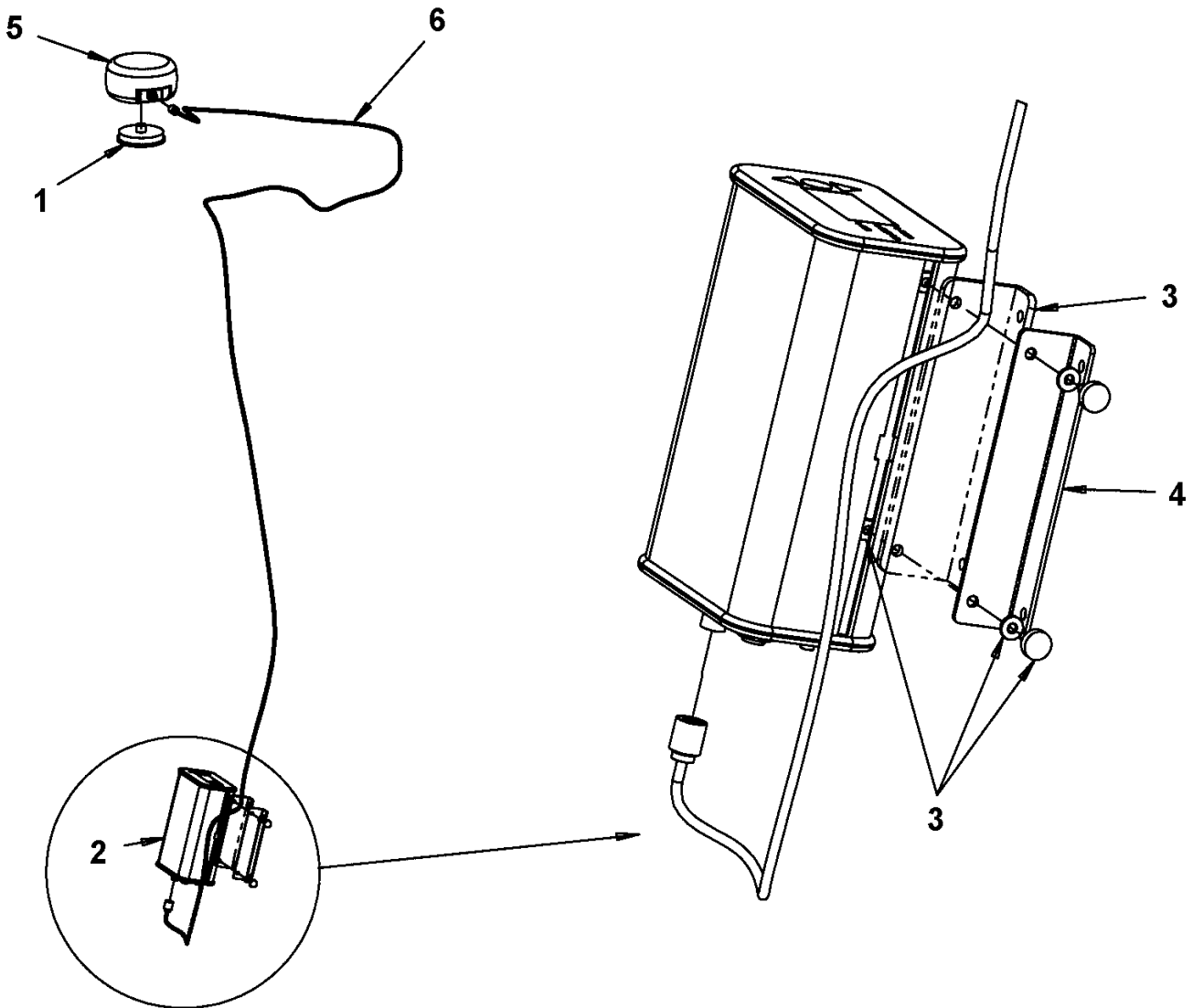
Item	Part No.	Name	Qty	L	SN INFO
1	4700395888	Bracket	1		
2	4700394542	Ball joint	1		
3	4700904228	Washer 6,4x12x1,5	4		
4	4700500040	Screw, M6x20 mm 8.8 A2K	4		

DCA/GPS equipment module, option GPS equipment module



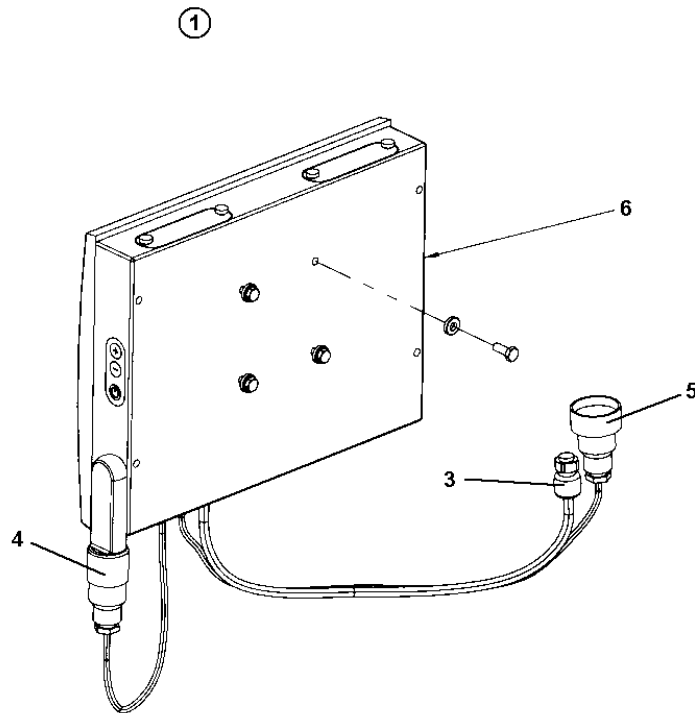
Item	Part No.	Name	Qty	L	SN INFO
1	-	GPS equipment assy	1		
2	4812113238	Cable harness	1		
3	4700313041	Cable ties	N		
4	4700792392	Grommet with membrane	1		
5	4700792210	Screw torx	4		

DCA/GPS equipment module, option GPS equipment assy



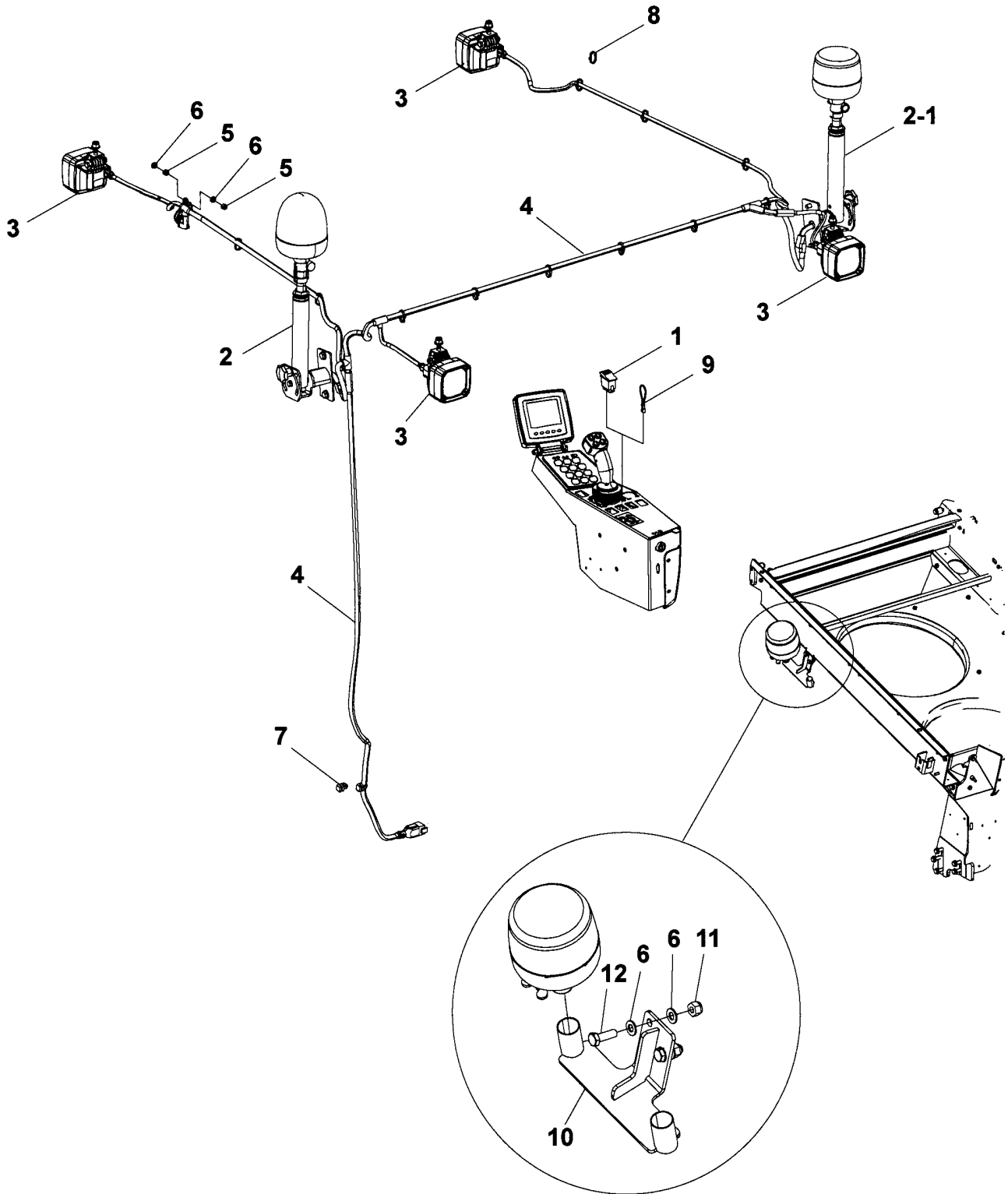
Item	Part No.	Name	Qty	L	SN INFO
1	4812113160	Bracket	1		
2	4812114146	Reciever	1		
3	4811000395	Bracket	1		
4	4812114156	Holder	2		
5	4812113058	Antenna	1		
6	4812113158	Antenna lead	1		

**DCA/GPS equipment module, option Computer**



Item	Part No.	Name	Qty	L	SN INFO
1	4700396119	Computer, cpl.	1		
2	4700792795	Voltage adapter	1		
3	4700792761	Power and serial cable	1		
4	4700792762	USB cable L = 300mm	1		
5	4700792763	USB cable L = 500mm	1		
6	4700396536	Computer	1		

Rotating beacon, working light, option Rotating beacon, working light, option



Refer to Parts Online for the most up to date information. The printed information might be outdated.

Wed Nov 21 11:45:45 UTC 2018



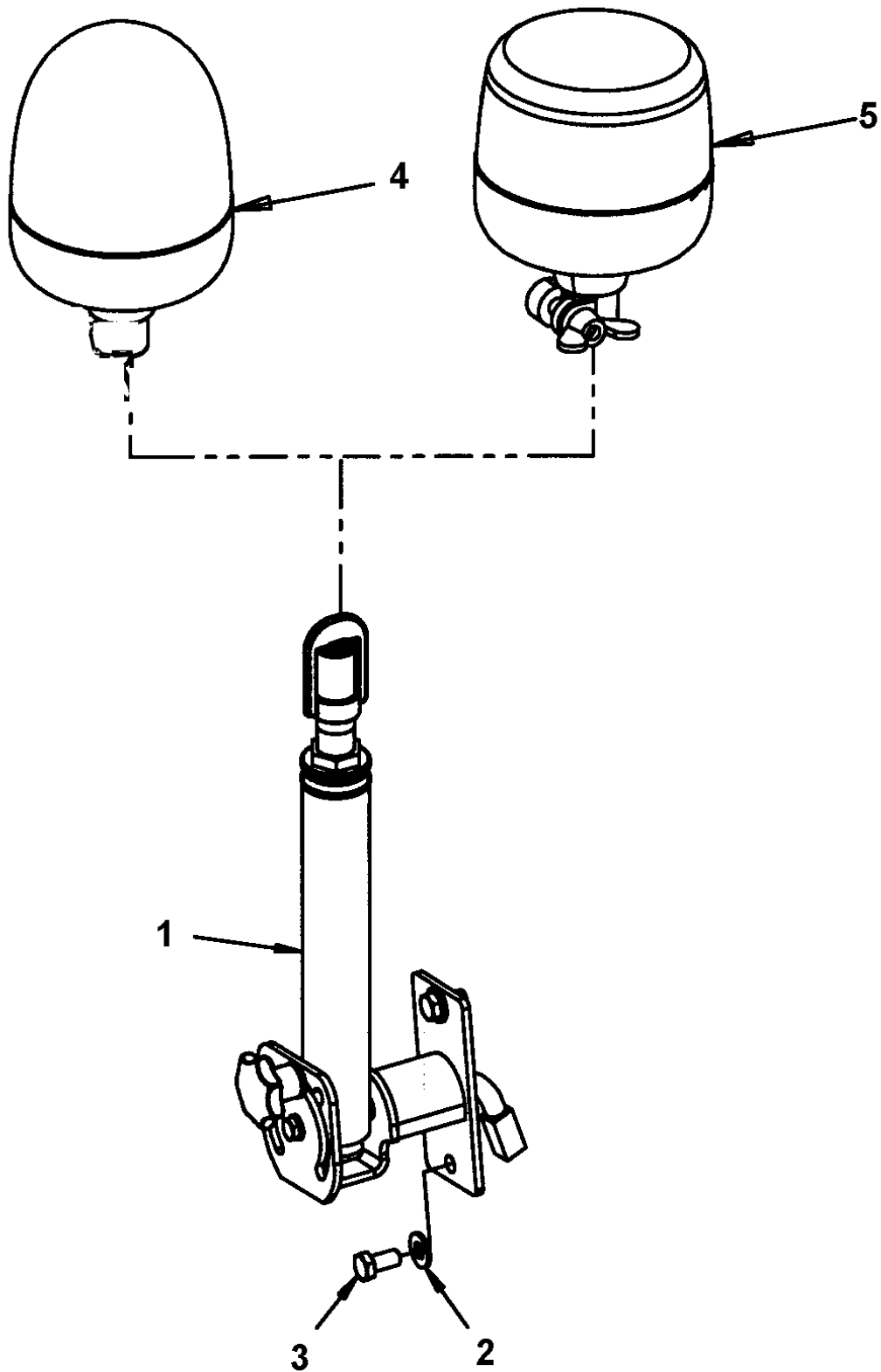
Item	Part No.	Name	Qty	L	SN INFO
1	4700792397	Switch	1		
2	-	Rotating beacon module	1		
2-1	-	Rotating beacon module	2	A	
3	4812126778	Working light, LED 25W	4		
3	4812126777	Working light, LED 15W	4		
3	-	Working light module H3	4		
4	4812112325	Cable harness	1		
5	4700570005	Hexagon nut	2		
6	4700904229	Washer, 8.4x 6x1.5 mm 300HV	6		
7	4700792667	Cable tie holder	1		
8	4700313041	Cable ties	N		
9	4811000077	Connection cable	1		
10	4812116799	Holder	1		
11	4700586003	Lock nut M8	2		
12	4700500021	Screw, M8x25 mm 8.8 A2K	2		

Comments for Page: Rotating beacon, working light, option

(L)OCAL REMARKS

A | en\_US | Dual LED

**Rotating beacon, working light, option** Rotating beacon module



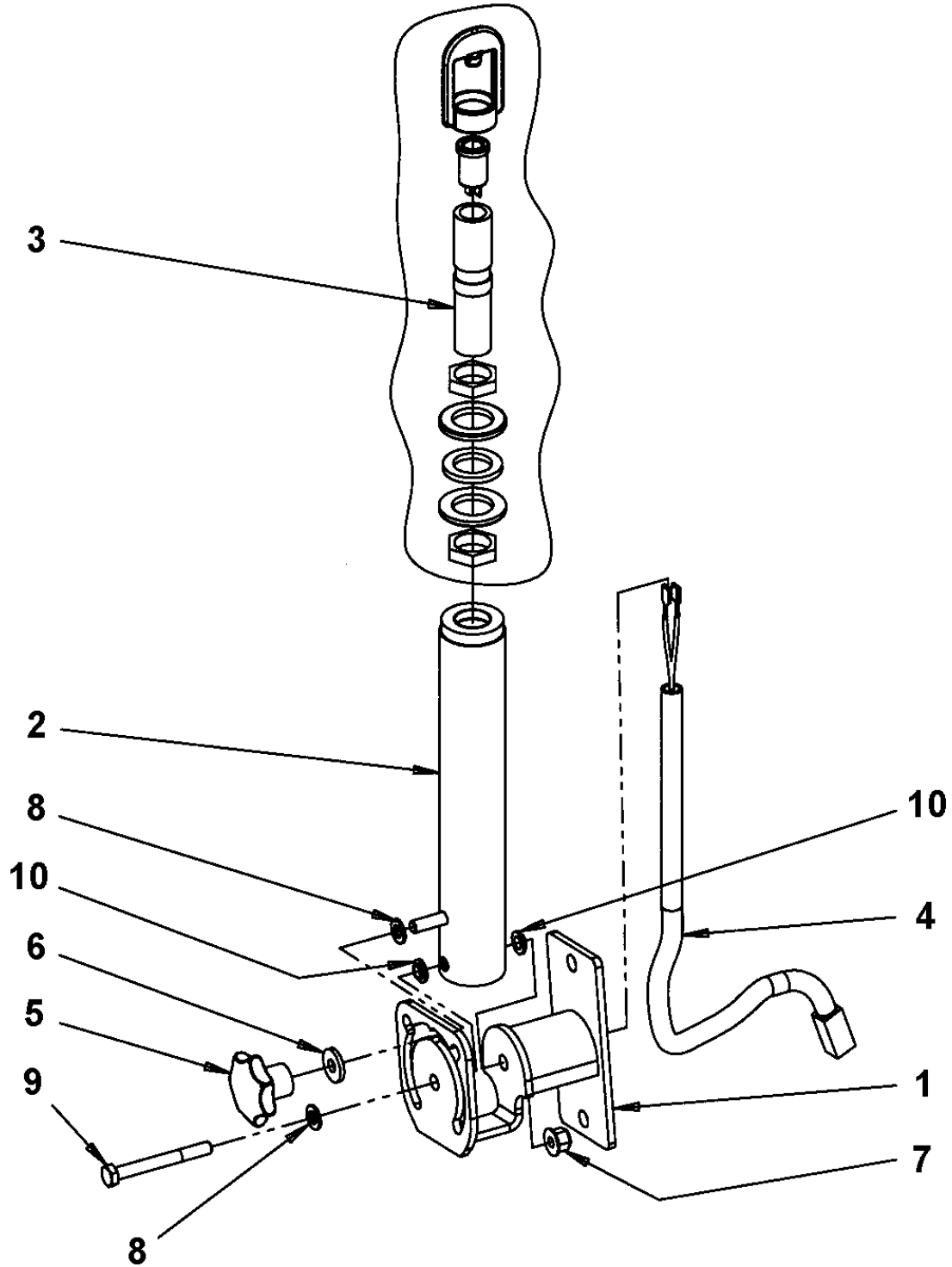
Item	Part No.	Name	Qty	L	SN INFO
1	-	Bracket, Rotating beacon	1		
2	4700904230	Steel plain washer	2		
3	4700500048	Screw, M10x20 mm 8.8 A3K	2		
4	4812122611	Rotating beacon	1		
5	4812121848	Rotating beacon, LED	1	A	

Comments for Page: Rotating beacon module

(L)OCAL REMARKS

A | en\_US | Dual LED

**Rotating beacon, working light, option** Bracket, Rotating beacon



Refer to Parts Online for the most up to date information. The printed information might be outdated.

Wed Nov 21 11:45:46 UTC 2018

Item	Part No.	Name	Qty	L	SN INFO
1	4812116622	Bracket	1		
2	4812112460	Bracket	1		
2	4812120468	Bracket	1	A	
3	4700392321	Bracket	1		
3	4812120469	Bracket	1	B	
4	4812115020	Wiring harness	1		
5	4700792410	Hand knob nut	1		
6	4700904640	Washer, 8.4x22x3 mm 300HV	1		
7	4700902286	Lock nut, M8x1.25 mm A2K	1		
8	4700904229	Washer, 8.4x 6x1.5 mm 300HV	2		
9	4700500189	Screw	1		
10	4812112774	Bushing	2		

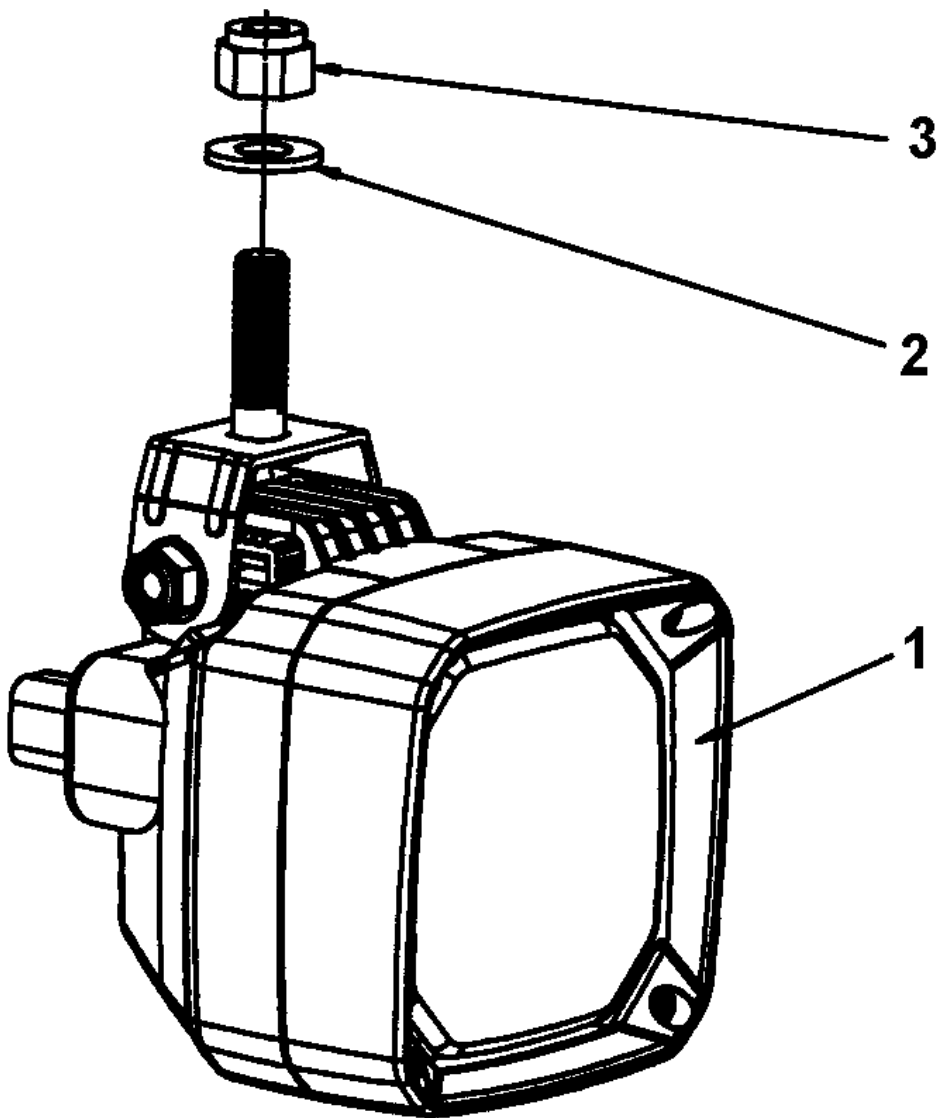
Comments for Page: Bracket, Rotating beacon

(L)OCAL REMARKS

A | en\_US | interchangeable with part 4812120469

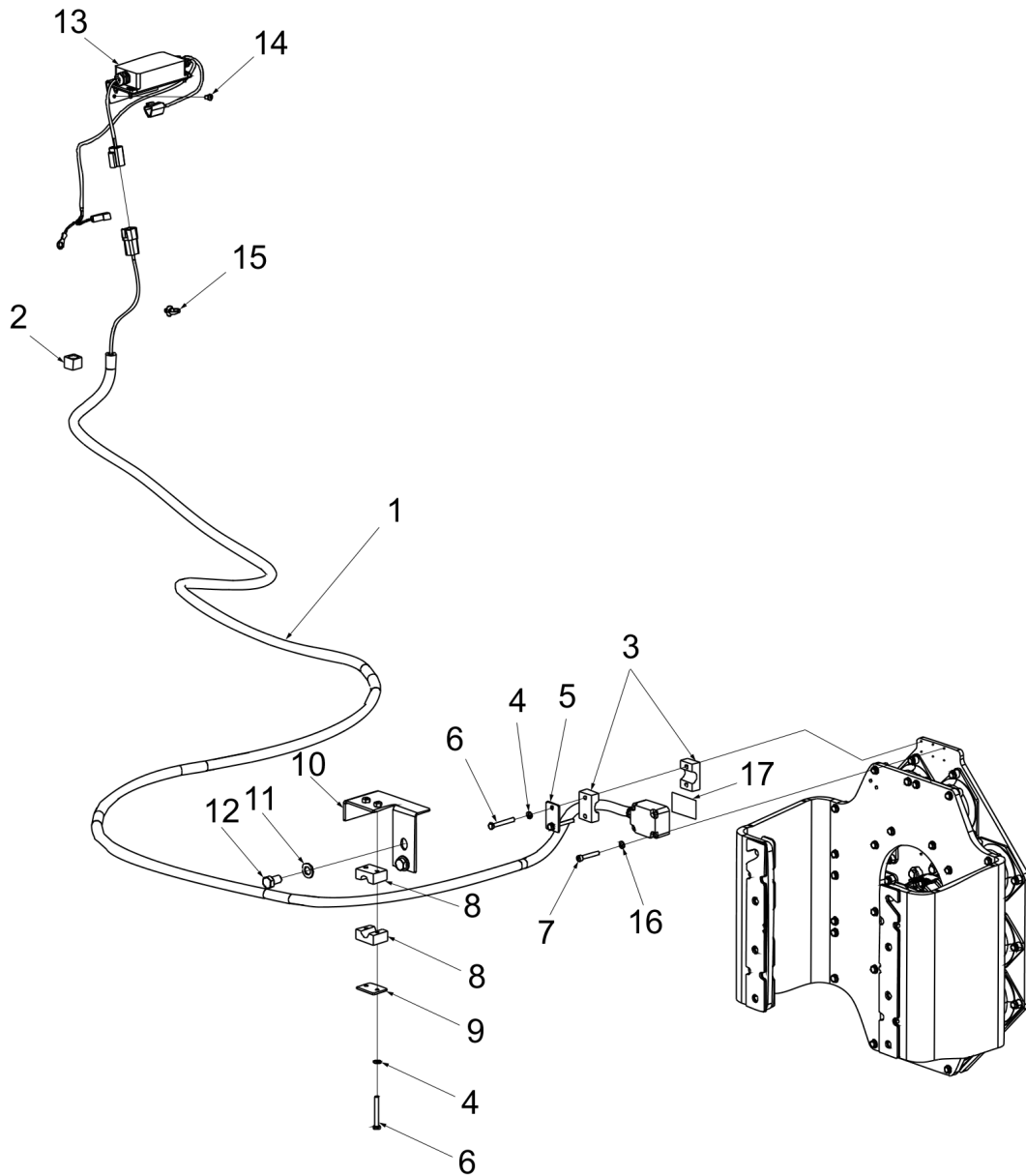
B | en\_US | interchangeable with part 4812120468

**Rotating beacon, working light, option** Working light module H3



Item	Part No.	Name	Qty	L	SN INFO
1	4812114720	Working light	1		
2	4700904230	Steel plain washer	1		
3	4700586018	Lock nut M10	1		

**Compaction meter, option** Compaction meter, option



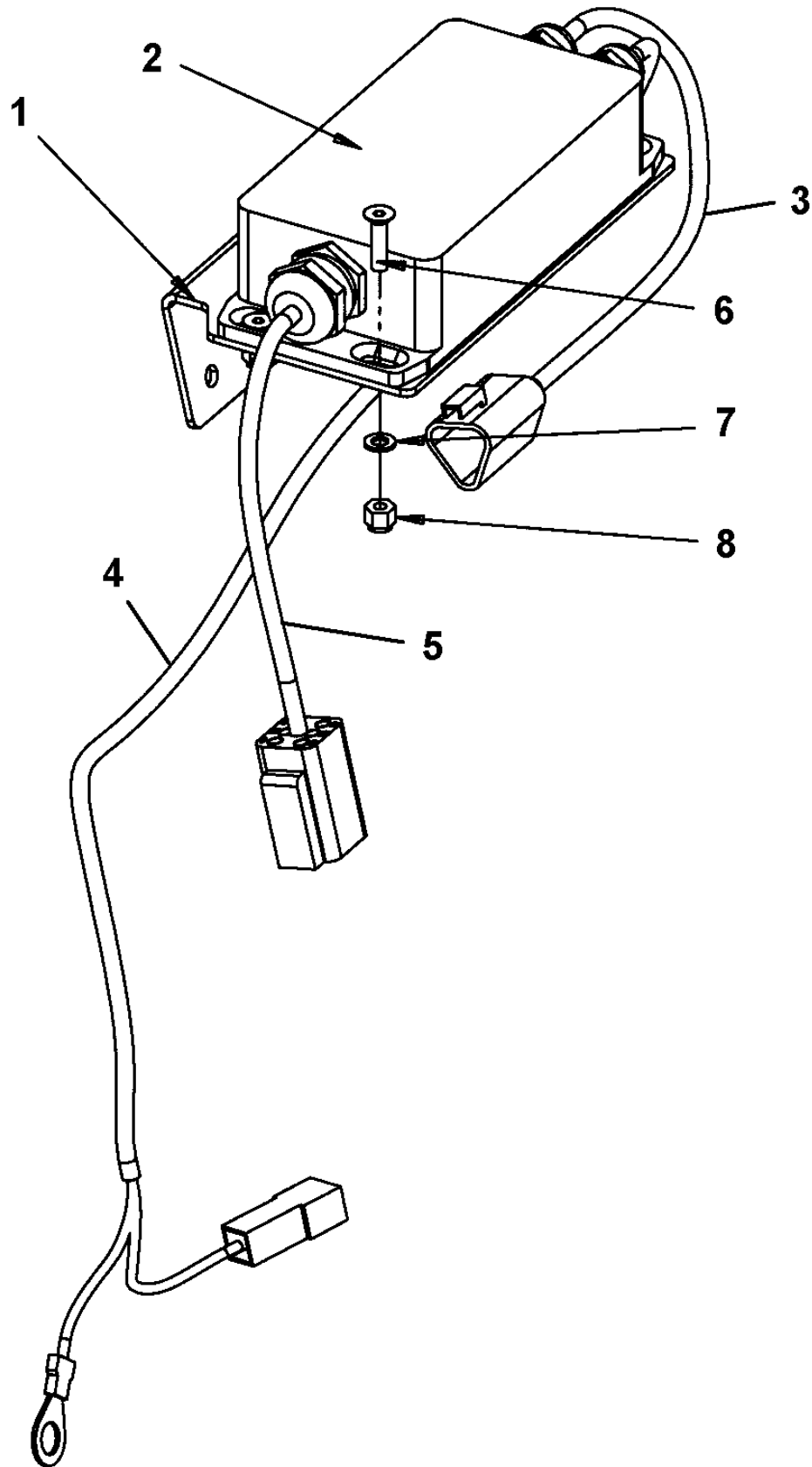
Refer to Parts Online for the most up to date information. The printed information might be outdated.

Wed Nov 21 11:45:47 UTC 2018



Item	Part No.	Name	Qty	L	SN INFO
1	4812115921	Dcm unit	1		
2	4812112072	Cable entry insert	1		
3	4700923876	Clamp	1		
4	4700904228	Washer 6,4x12x1,5	4		
5	4700923859	Cover plate	1		
6	4700500079	Screw M6-1x50 8,8	4		
7	4812121264	Screw	4		
8	4700791453	Pipe clamp block	1		
9	4700791454	Cover plate	1		
10	4812116181	Bracket	1		
11	4700904231	Washer, 13x24x2 mm 300 HV	2		
12	4700500035	Hexagon screw, M12x20H	2		
13		Power supply	1		
14	4700792210	Screw torx	2		
15	4700792441	Cable tie with holder	2		
16	4700606003	Washer	4		
17	4812121118	Gasket	1		

Compaction meter, option Power supply

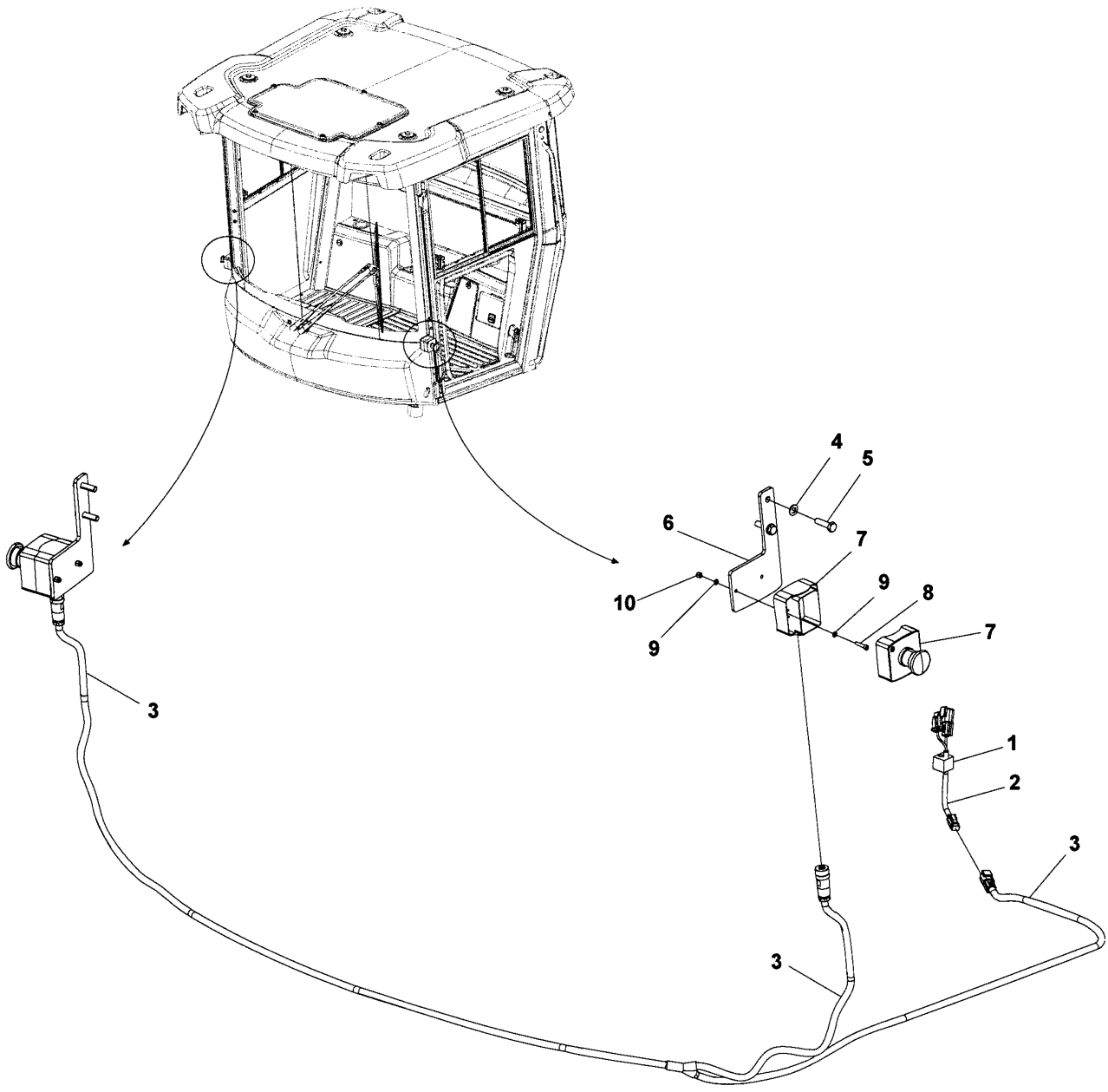


Refer to Parts Online for the most up to date information. The printed information might be outdated.

Wed Nov 21 11:45:47 UTC 2018

Item	Part No.	Name	Qty	L	SN INFO
1	4812112792	Holder	1		
2	4812113123	Power supply unit	1		
3	4812112640	Cable harness	1		
4	4812112641	Cable harness	1		
5	4812112642	Cable harness	1		
6	4700513027	Screw M4x16H 10,9	4		
7	4700904698	Plain washer	4		
8	4700923976	Lock nut	4		

**Electrical equipment** External emergency stop, option

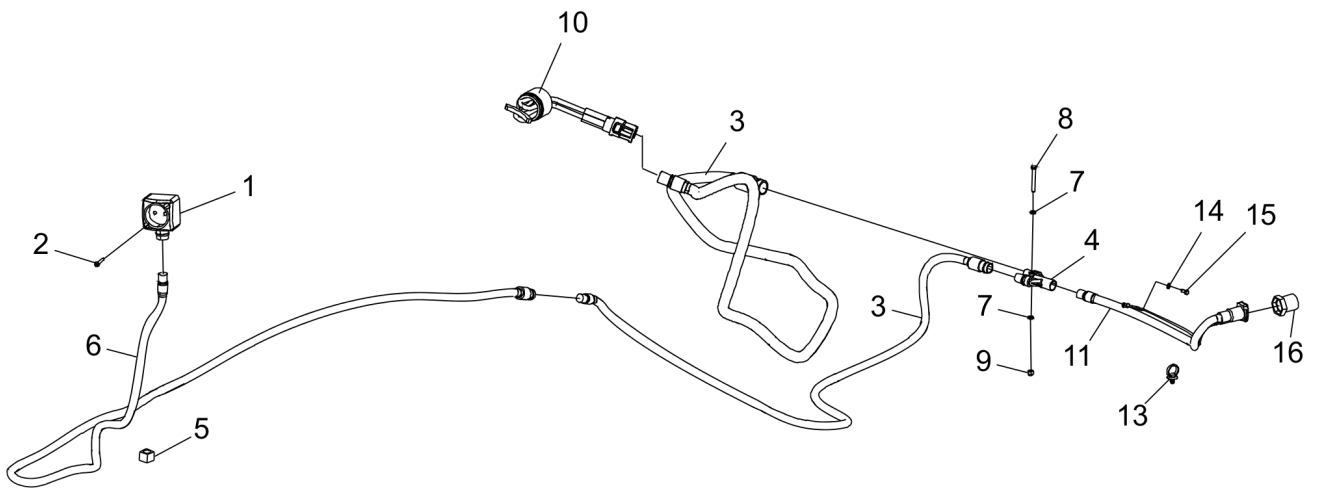


Refer to Parts Online for the most up to date information. The printed information might be outdated.

Wed Nov 21 11:45:47 UTC 2018

Item	Part No.	Name	Qty	L	SN INFO
1	4812116367	Cable entry frame and inserts	1		
2	4812116346	Cable harness	1		
3	4812116354	Cable harness	1		
4	4700904229	Washer, 8.4x 6x1.5 mm 300HV	4		
5	4700500022	Screw	4		
6	4812116588	Holder	2		
7	4812116587	Emergency stop box	2		
8	4700903386	Screw	4		
9	4700904698	Plain washer	8		
10	4700923976	Lock nut	4		

**Electrical equipment** Pre-heater installation, option



Item	Part No.	Name	Qty	L	SN INFO
1	4700396044	Connector	1		
2	4700792186	Thread forming screw	2		
3	4700396047	Cable	2		
4	4700396043	Branching	1		
5	4812112071	Cable entry insert	1		
6	4700396047	Cable	1		
7	4700904228	Washer 6,4x12x1,5	2		
8	4700500079	Screw M6-1x50 8,8	1		
9	4700586002	Lock nut M6 -8	1		
10	4700396042	Heater	1		
11	4811000316	Cable	1		
13	4700792441	Cable tie with holder	4		
14	4700904281	Washer, 5,3x10x1 300HV	1		
15	4700500003	Hex. screw	1		
16	4812114984	Nut	1		
17	4700396048	Cable 230V	1		

**Electrical equipment** Speed sensor, frequency sensor, option



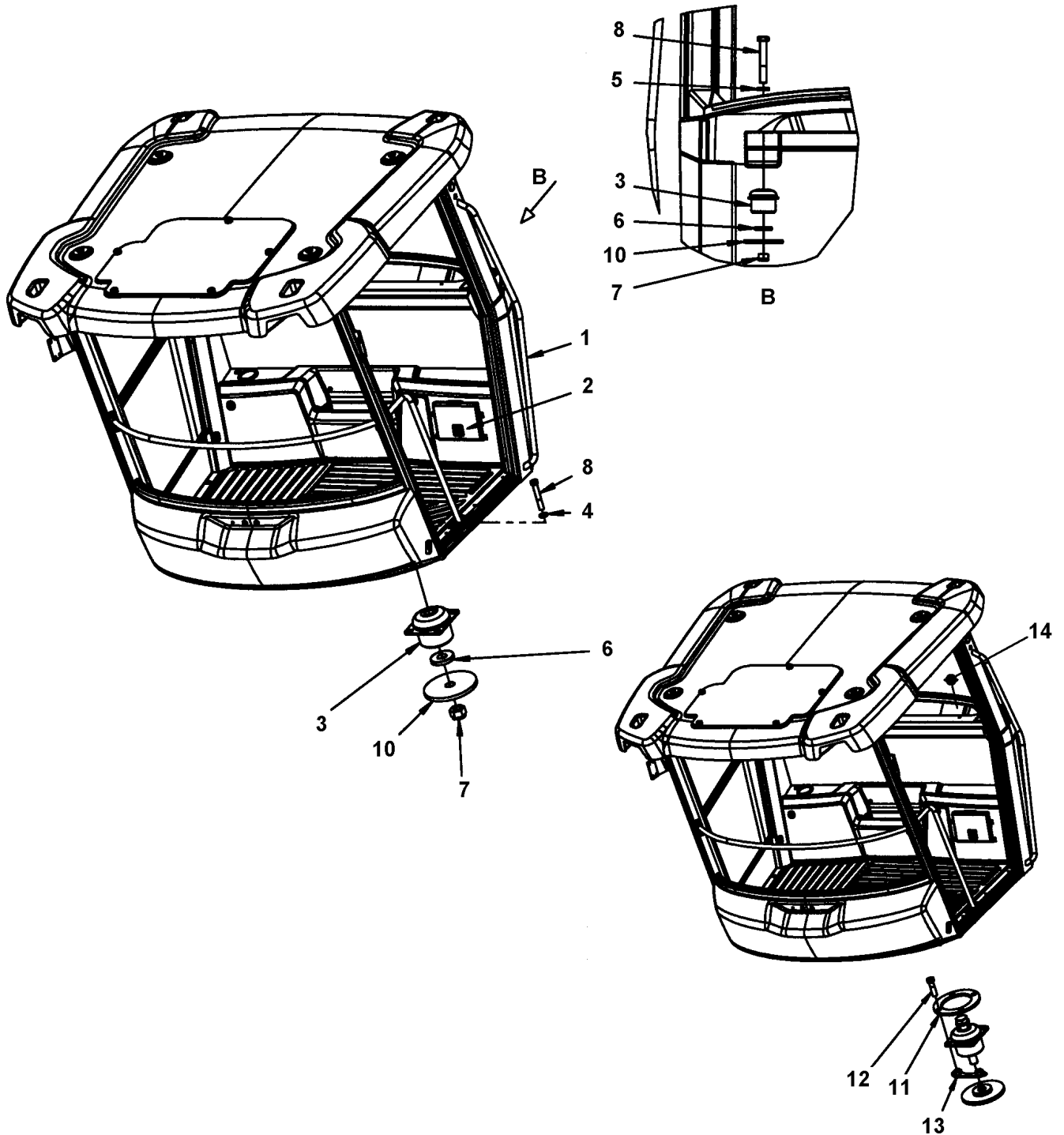
Refer to Parts Online for the most up to date information. The printed information might be outdated.

Wed Nov 21 11:45:47 UTC 2018



Item	Part No.	Name	Qty	L	SN INFO
1	4812119107	Cable harness	1		
2	4700904346	Clamp	1		
3	4700904228	Washer 6,4x12x1,5	2		
4	4700500013	Screw, M6x16 mm 8.8 A2K	1		
5	4700586002	Lock nut M6 -8	1		
6	4700389215	Pulse sensor	1		
7	4812118899	Cable harness	1		
8	4812118760	Cable harness	1		
9	4812118761	Cable harness	1		
10	4812112229	Cable harness	1		

Platform, rops Platform, rops

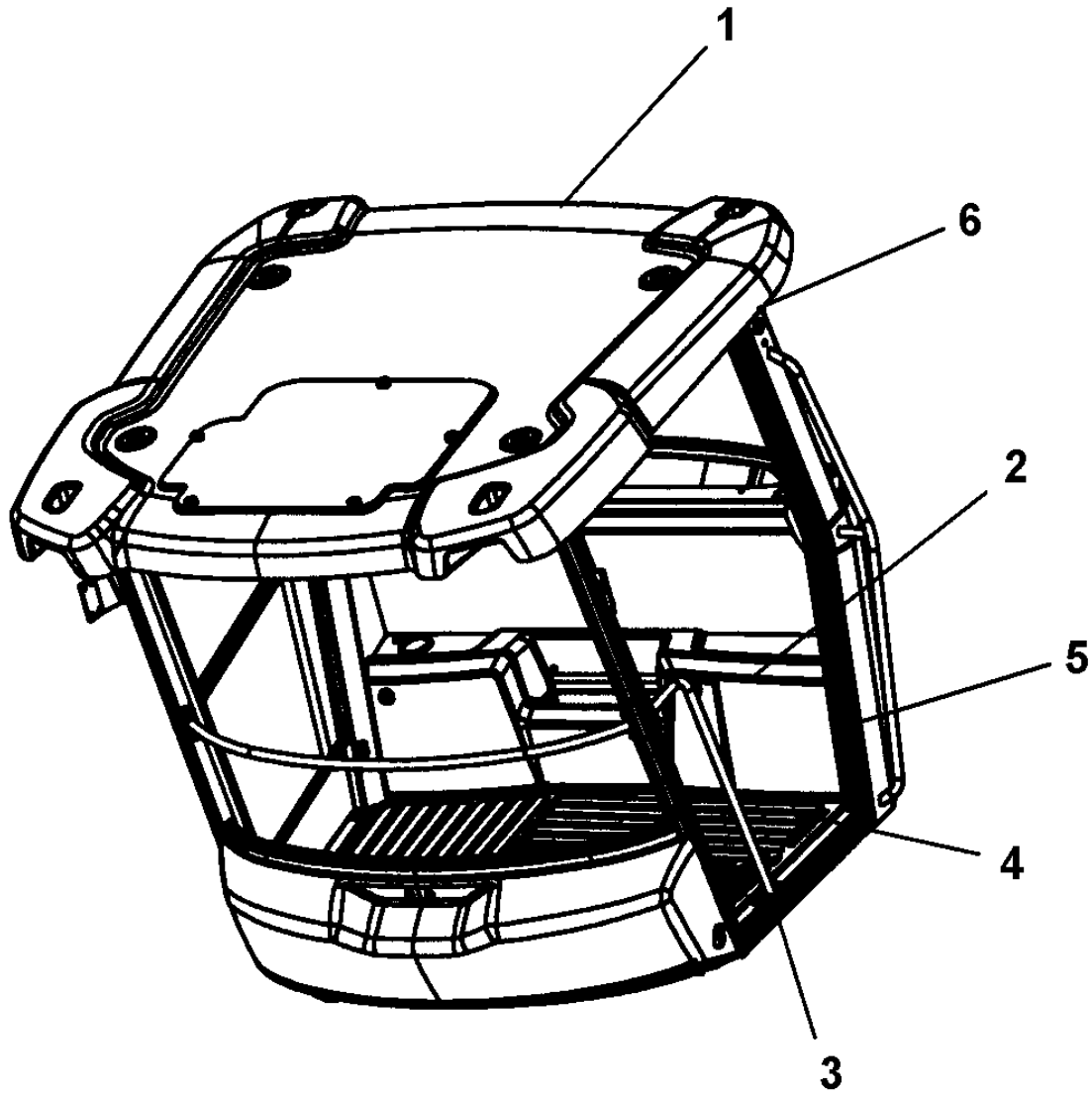


Refer to Parts Online for the most up to date information. The printed information might be outdated.

Wed Nov 21 11:45:48 UTC 2018

Item	Part No.	Name	Qty	L	SN INFO
1	4812120545	Platform with 4-post ROPS	1		
2	-	Manual box	1		
3	4812116884	Shock absorber	4		
4	4700904233	Steel plain washer 21x36x3	2		
5	4700903290	Steel plain washer 21x36x6	2		
6	4700927410	Washer	4		
7	4700901145	Lock nut M20-10	4		
8	4700902282	Screw	4		
10	4812116867	Spacer	4		
11	4700359998	Back-up ring	4		
12	4700500056	Screw, M12x45 mm 8.8 A3K	16		
13	4700393525	Holder	8		
14	4812115387	Protective plug	2		

4812120545 Platform with 4-post ROPS 4812120545 Platform with 4-post ROPS

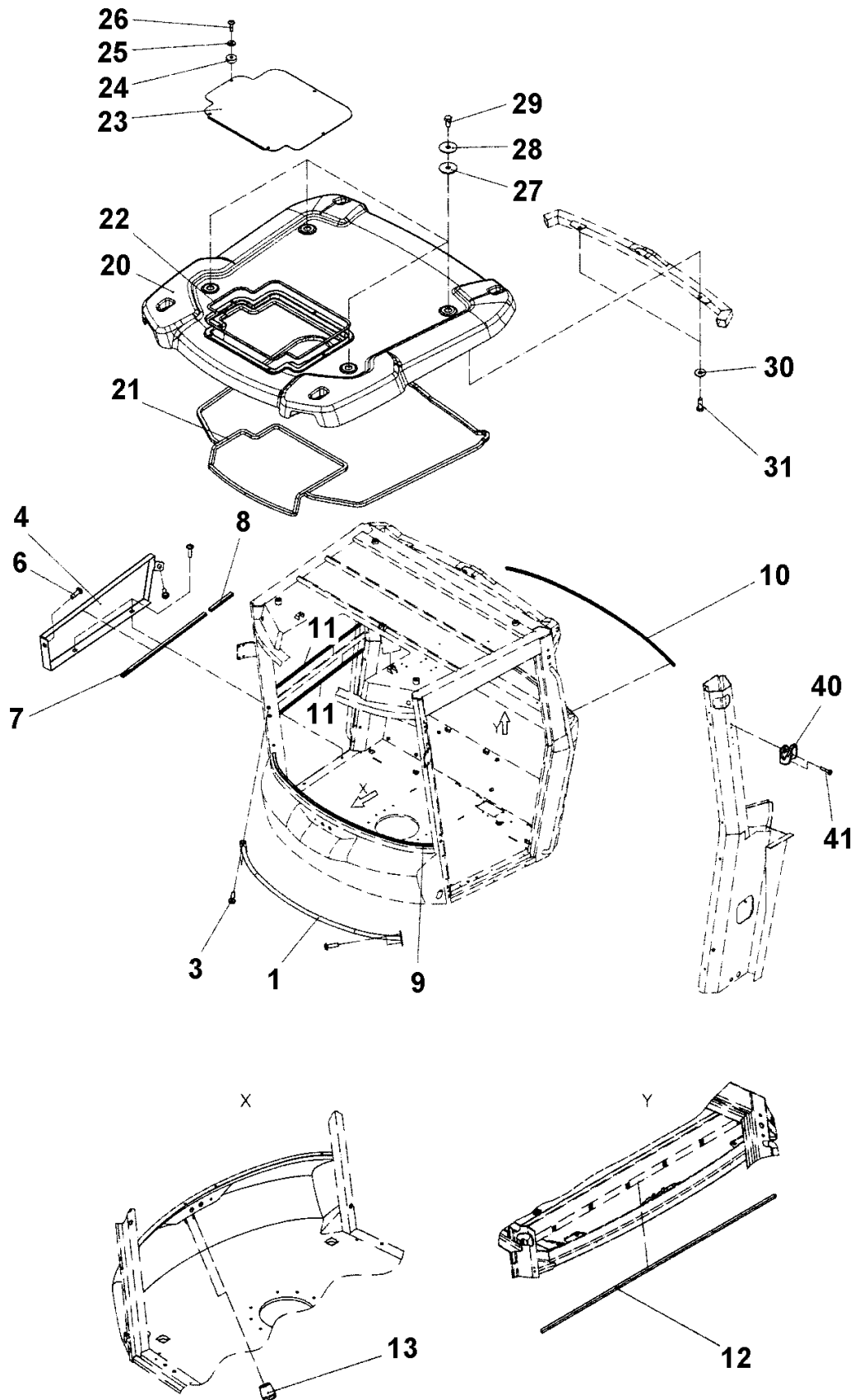


Refer to Parts Online for the most up to date information. The printed information might be outdated.

Wed Nov 21 11:45:48 UTC 2018

Item	Part No.	Name	Qty	L	SN INFO
1	-	Basic kit Rops, roof, front handrail	1		
2	-	Rear cover	1		
3	-	Handrail	1		
4	4812114568	Floor mat	1		
5		Rops	1		
6	-	Cab, basic kit	1		

4812120545 Platform with 4-post ROPS Basic kit Rops, roof, front handrail



Refer to Parts Online for the most up to date information. The printed information might be outdated.

Wed Nov 21 11:45:48 UTC 2018

Item	Part No.	Name	Qty	L	SN INFO
1	4812115193	Handrail	1		
3	-	Screw	4		
4	4812115194	Plate	1		
6	-	Screw	4		
7	4700202028	Edge trim	1XL	A	
8	4700202028	Edge trim	1XL	B	
9	4700202028	Edge trim	1XL	C	
10	4700202028	Edge trim	1XL	D	
11	4700202028	Edge trim	1XL	E	
12	4700202028	Edge trim	1XL	F	
13	-	Cap	2		
20	4812115195	Roof	1		
21	4812115164	Rubber strip	1XL	G	
22	4812161165	Foam strip (Xm)	1XL	H	
23	4812115196	Roof plate	1		
24	4812115166	Rubber washer	5		
25	4700601003	Washer, 8,4x25x2 mm	5		
26	4812162571	Screw	5		
27	4812115170	Seal washer	10		
28	4812115171	Washer	4		
29	4812162572	Hexagon screw	4		
30	4700601003	Washer, 8,4x25x2 mm	2		
31	4700947680	Hexagon head screw m	2		
40	4700908505	Hook	1		
41	-	Screw	4		

Comments for Page: Basic kit Rops, roof, front handrail

(L)OCAL REMARKS

A | L=0.508m

B | L=0.133m

C | L=1.415m

D | L=1.43m

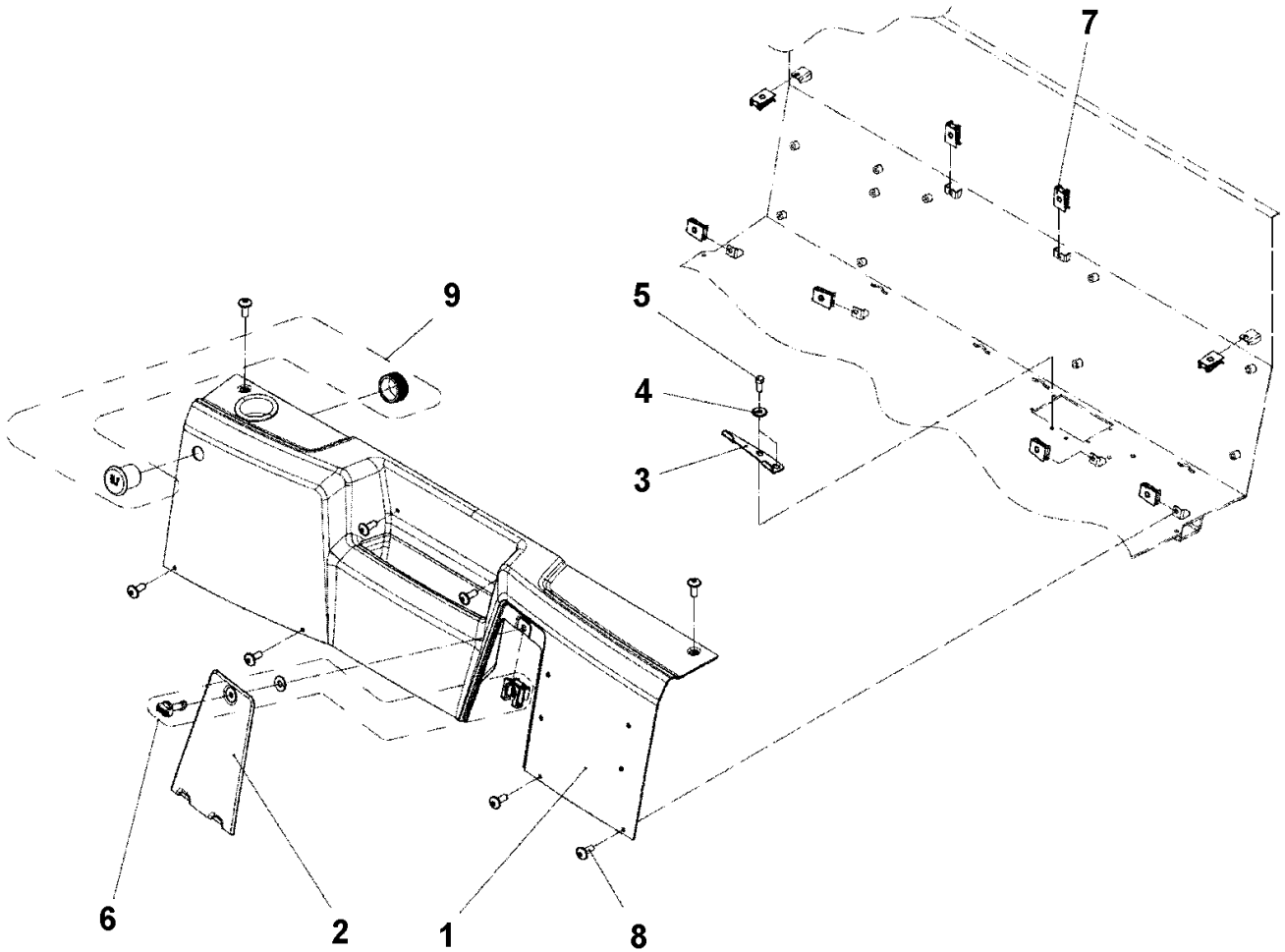
E | L=0.856m

F | L=1.515m

G | L=6.7m

H | L=2.513m

**4812120545 Platform with 4-post ROPS Rear cover**



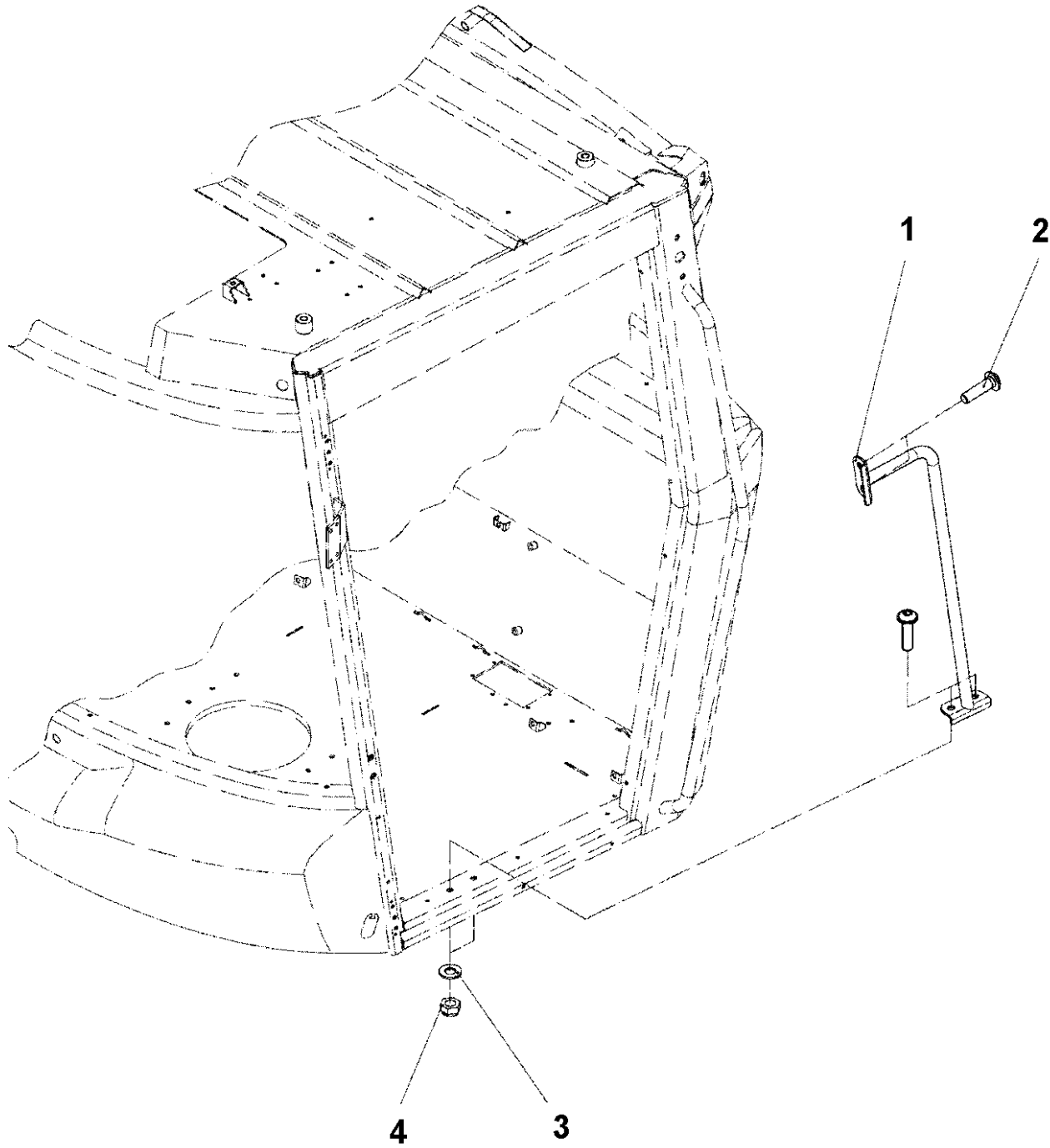
Refer to Parts Online for the most up to date information. The printed information might be outdated.

Wed Nov 21 11:45:49 UTC 2018



Item	Part No.	Name	Qty	L	SN INFO
1	4812114563	Rear cover	1		
2	4812114564	Service cover	1		
3	4812114565	Bracket	1		
4	4700601001	Washer	2		
5	4700500004	Screw M5x12 8,8	2		
6	4812114566	Turn fastener	1		
7	4812114567	Speed nut	8		
8	-	Screw	8		
9	-	Socket, 24V	1		

**4812120545 Platform with 4-post ROPS Handrail**

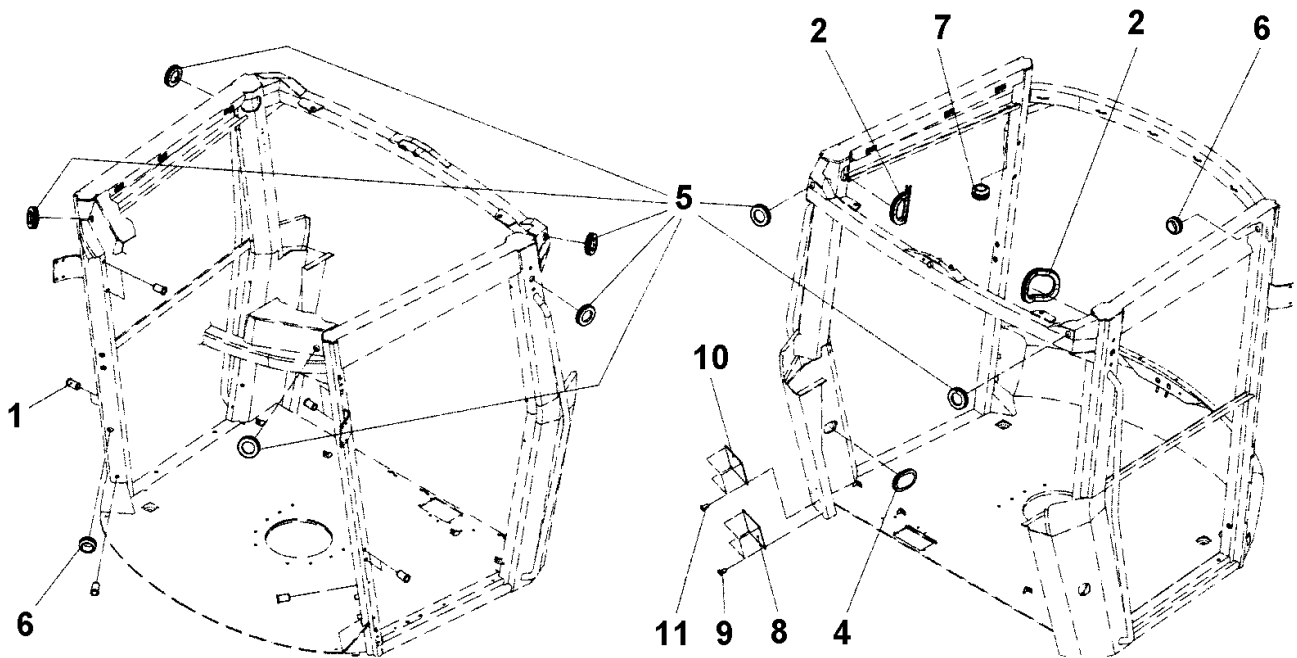


Refer to Parts Online for the most up to date information. The printed information might be outdated.

Wed Nov 21 11:45:49 UTC 2018

Item	Part No.	Name	Qty	L	SN INFO
1	4812114569	Handrail	1		
2	-	Screw	4		
3	4700904557	Washer, 10.5x22x4 mm 300 HV	2		
4	4700791172	Lock nut M10 DIN985	2		

**4812120545 Platform with 4-post ROPS Cab, basic kit**



Refer to Parts Online for the most up to date information. The printed information might be outdated.

Wed Nov 21 11:45:49 UTC 2018

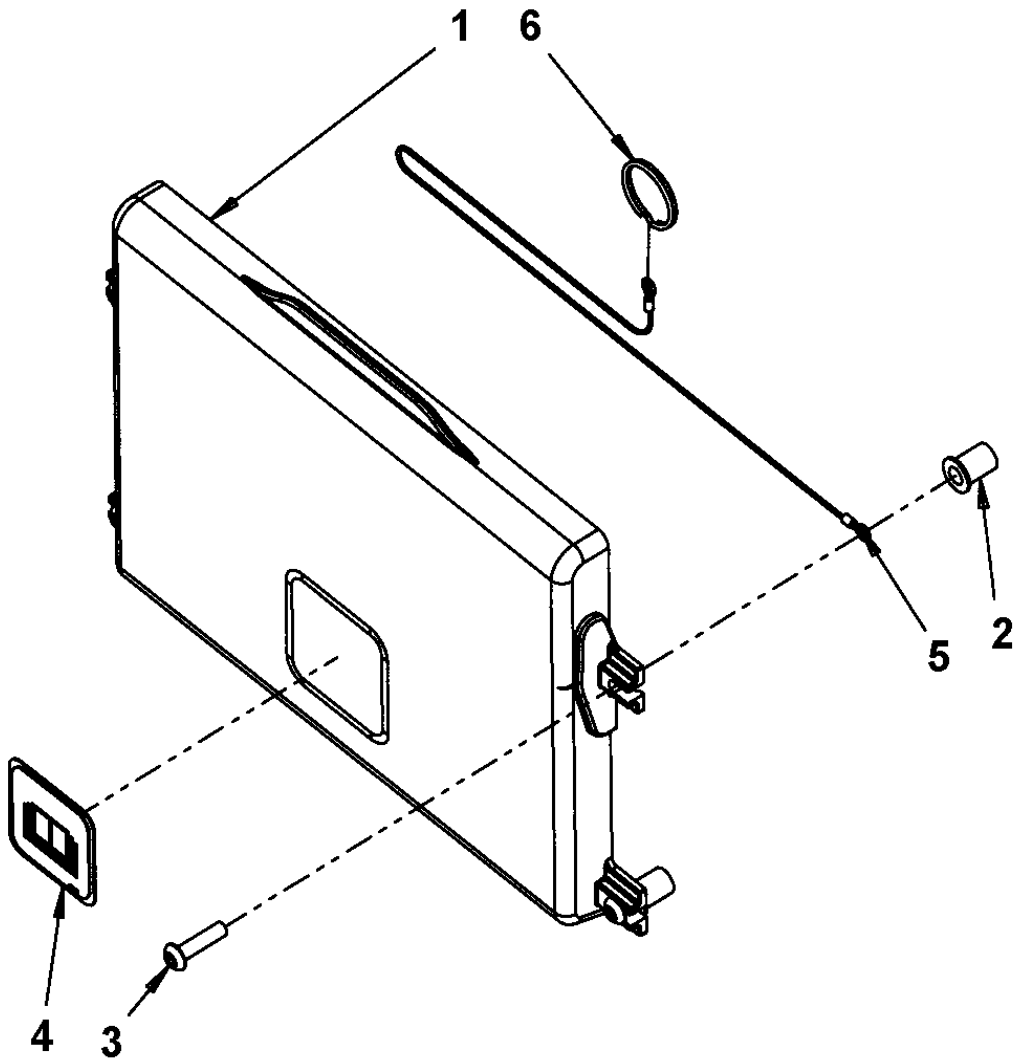
Item	Part No.	Name	Qty	L	SN INFO
1	4700792103	Blind insert nut	10		
2	4700902379	Edge trim	2XL	A	
4	4812115186	Cover	1		
5	4700929587	Grommet	7		
6	4700909129	Grommet	2		
7	-	Grommet	1		
8	-	Sign, rops	1		
9	-	Screw	4		
10	-	Sign, fops	1		
11	-	Screw	4		

Comments for Page: Cab, basic kit

(L)OCAL REMARKS

A | en\_US | L=0.263m

**Platform, rops** Manual box

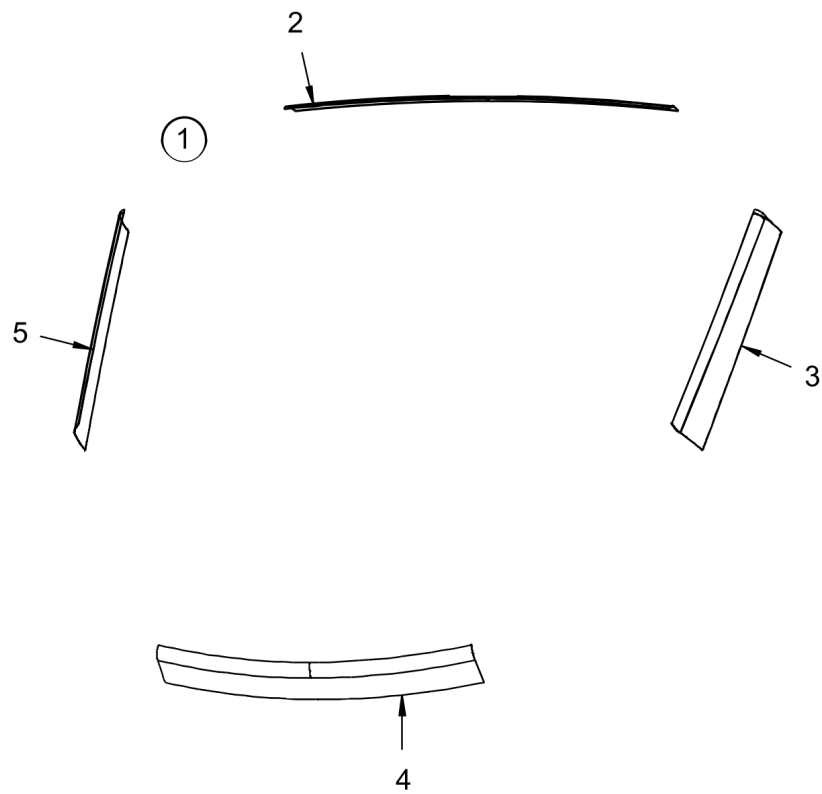


Refer to Parts Online for the most up to date information. The printed information might be outdated.

Wed Nov 21 11:45:49 UTC 2018

Item	Part No.	Name	Qty	L	SN INFO
1	4700383705	Instruction manual box	1		
2	4700792536	Rubber nut	4		
3	4700792589	Screw	4		
4	4700903425	Safety decal "READ SAFETY INSTRUCTIONS"	1		
5	4700384584	Wire	1		
6	4700358254	Key-ring	1		

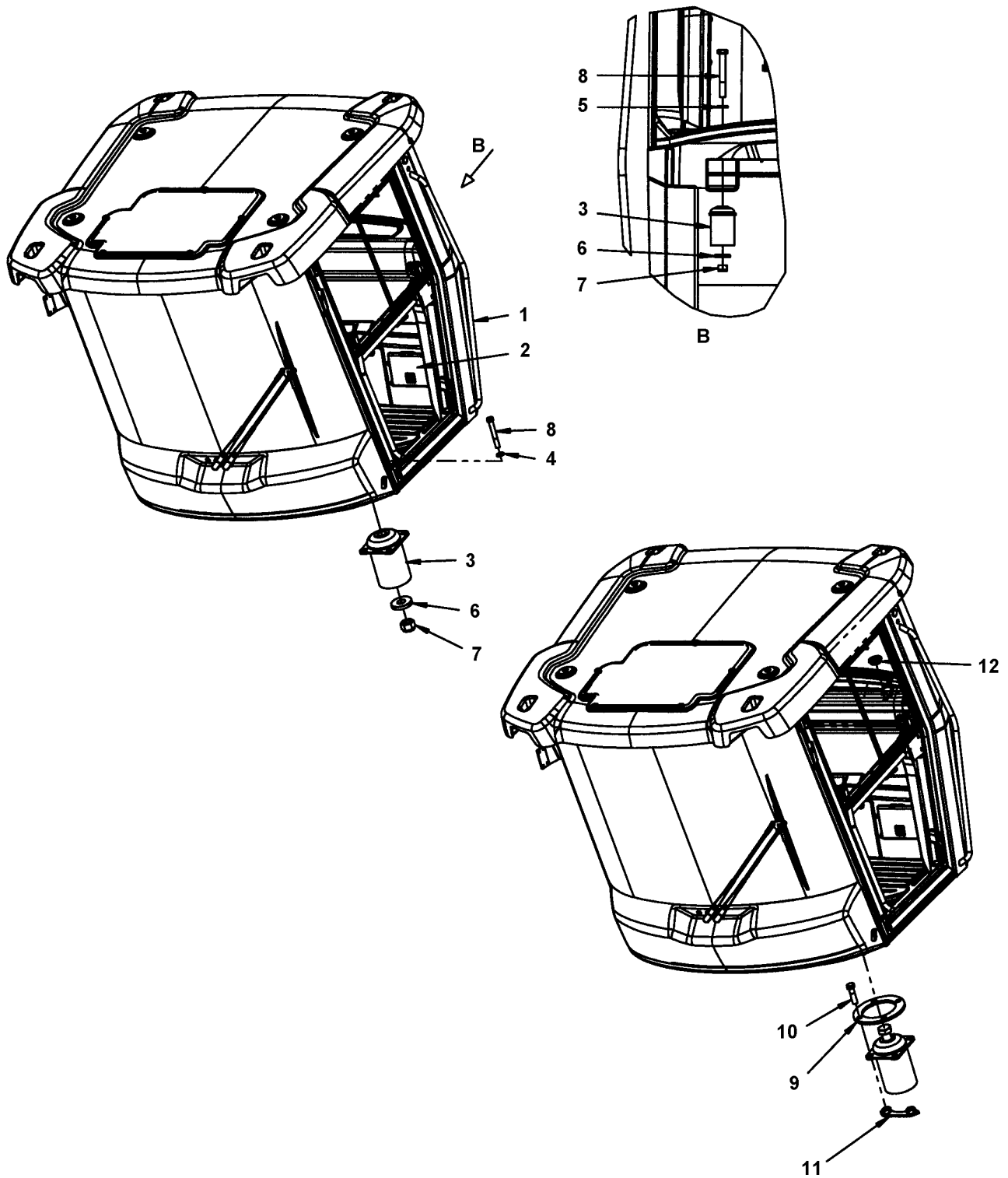
**Platform, rops** Decals basic kit





Item	Part No.	Name	Qty	L	SN INFO
1	4812120070	Decal cosmetic, kit	1		
2	--	Decal cosmetic Yellow	1		
3	--	Decal cosmetic Yellow	1		
4	--	Decal cosmetic Yellow	1		
5	--	Decal cosmetic Yellow	1		

**Cab symmetric module** Cab symmetric module

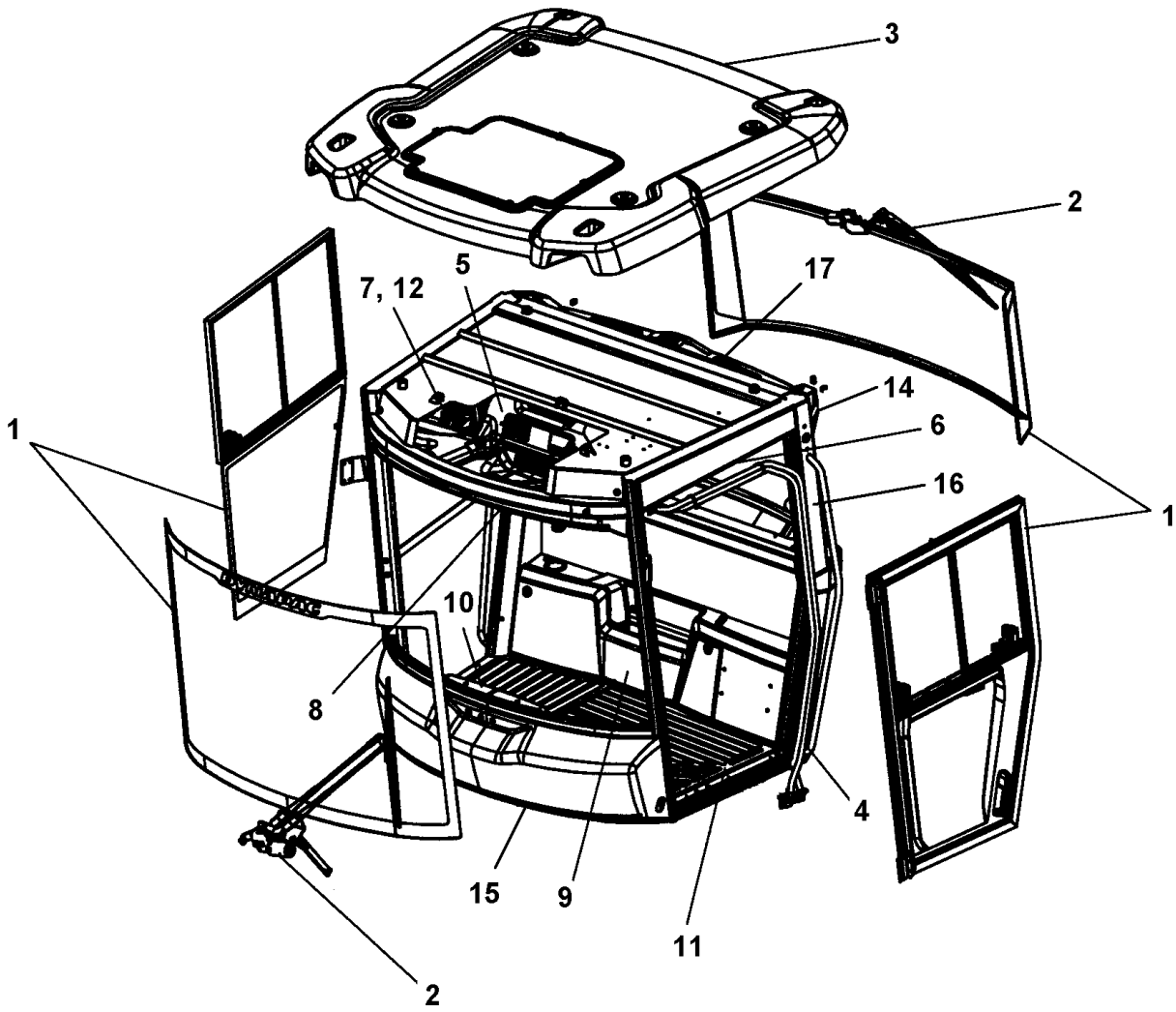


Refer to Parts Online for the most up to date information. The printed information might be outdated.

Wed Nov 21 11:45:50 UTC 2018

Item	Part No.	Name	Qty	L	SN INFO
1	4812112301	Cab, cpl Comfort	1		
1	4812112302	Cab, cpl Basic	1		
2	-	Manual box	1		
3	4700374606	Shock absorber Green	4		
4	4700904233	Steel plain washer 21x36x3	2		
5	4700903290	Steel plain washer 21x36x6	2		
6	4700927410	Washer	4		
7	4700901145	Lock nut M20-10	4		
8	4700903633	Screw M20x150 10,9	4		
9	4700359998	Back-up ring	4		
10	4700500056	Screw, M12x45 mm 8.8 A3K	16		
11	4700393525	Holder	8		
12	4812115387	Protective plug	2		

4812112301 Cab, cpl Comfort 4812112301 Cab, cpl Comfort

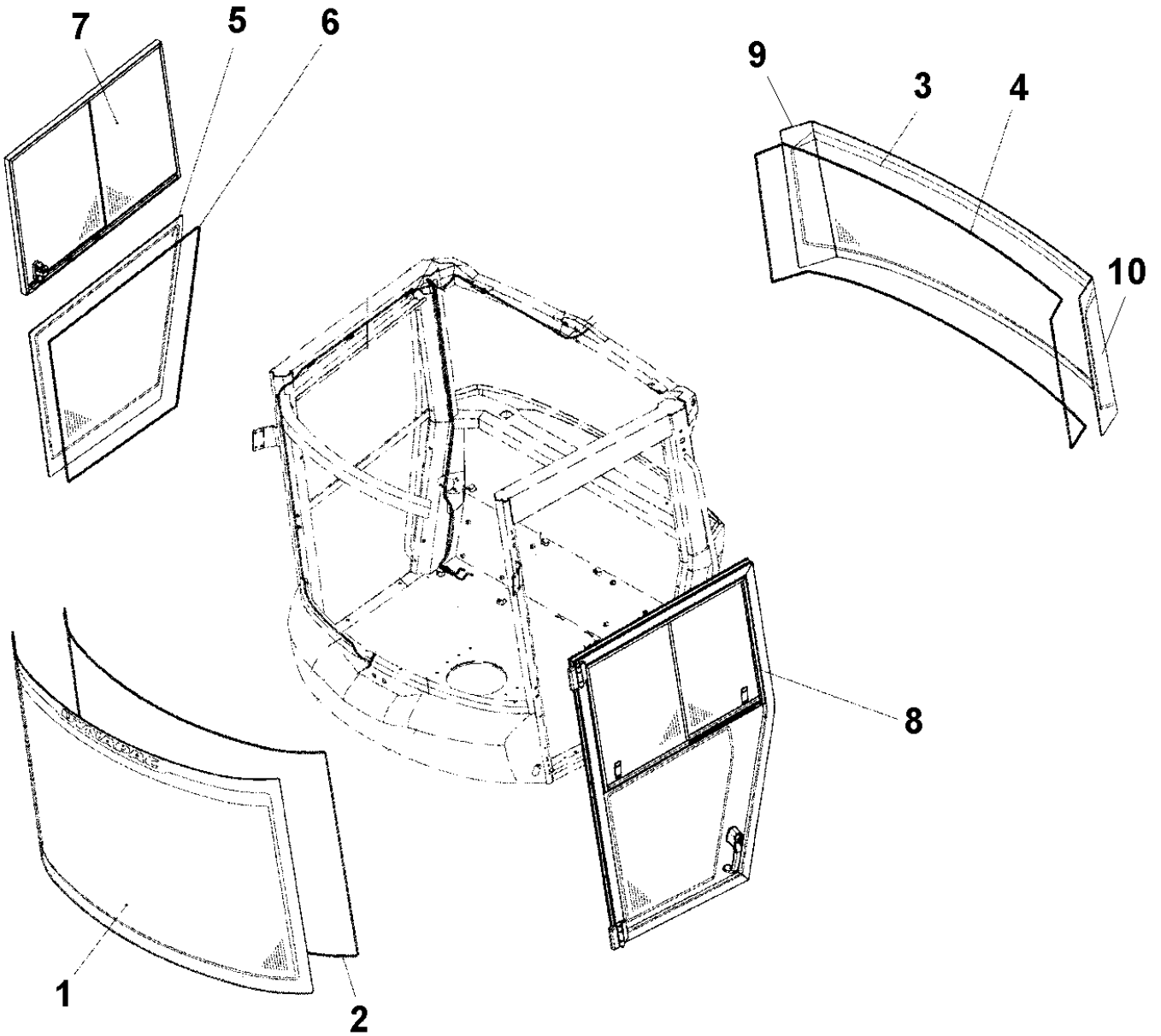


Refer to Parts Online for the most up to date information. The printed information might be outdated.

Wed Nov 21 11:45:50 UTC 2018

Item	Part No.	Name	Qty	L	SN INFO
1	-	Screens	1		
2	-	Windshield wiper	1		
3	-	Roof	1		
4	-	Hose kit heater	1		
5	-	Cab Interior	1		
6	-	Cab cable harness	1		
7	-	Cab, electrical equipment	1		
8	-	Emergency hammer, hook	1		
9	-	Cab, rear cover	1		
10	-	Cab, front cover	1		
11	-	Floor mat	1		
12	-	Step light, wiper switch	1		
14	-	Cab, basic kit	1		
15		Rops	1		
16	-	Air channel	1		
17	-	Sun-blind, inner light	1		

4812112301 Cab, cpl Comfort Screens



Refer to Parts Online for the most up to date information. The printed information might be outdated.

Wed Nov 21 11:45:50 UTC 2018

Item	Part No.	Name	Qty	L	SN INFO
1	4812114586	Front screen	1		
2	4812159184	Rubber list	1XL	A	
3	4812158164	Rear screen middle	1		
4	4812159184	Rubber list	1XL	B	
5	4812114587	Side screen	1		
6	4812159184	Rubber list	1XL	C	
7	4812114588	Sliding screen	1		
8	4812115202	Cab door, cpl	1		
9	4812158165	Rear screen right	1		
10	4812158163	Rear screen left	1		

Comments for Page: Screens

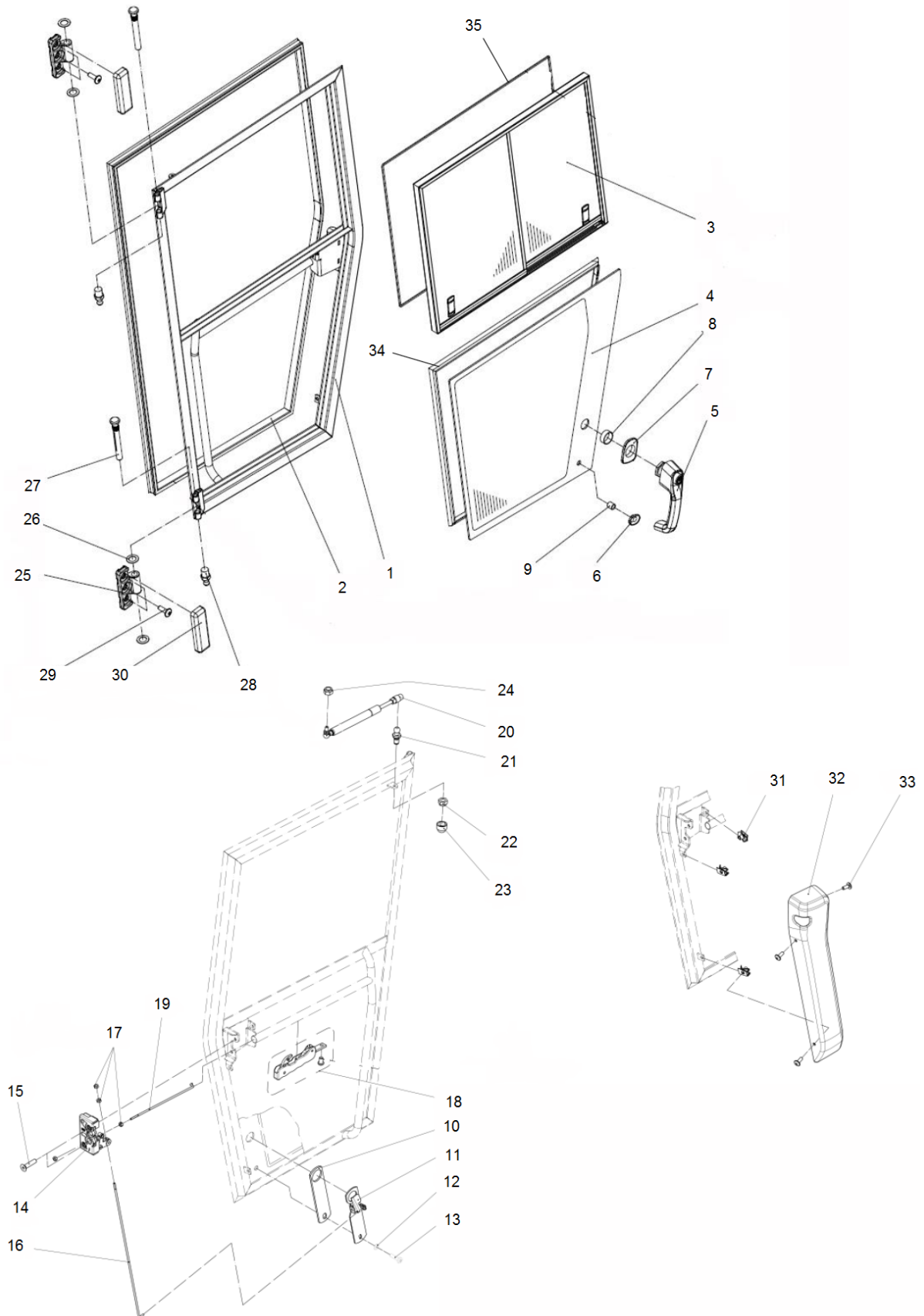
(L)OCAL REMARKS

A | en\_US | L=5.002m

B | en\_US | L=4.779m

C | en\_US | L=2.99m

**4812112301 Cab, cpl Comfort 4812115202 Cab door, cpl**



Refer to Parts Online for the most up to date information. The printed information might be outdated.

Wed Nov 21 11:45:51 UTC 2018

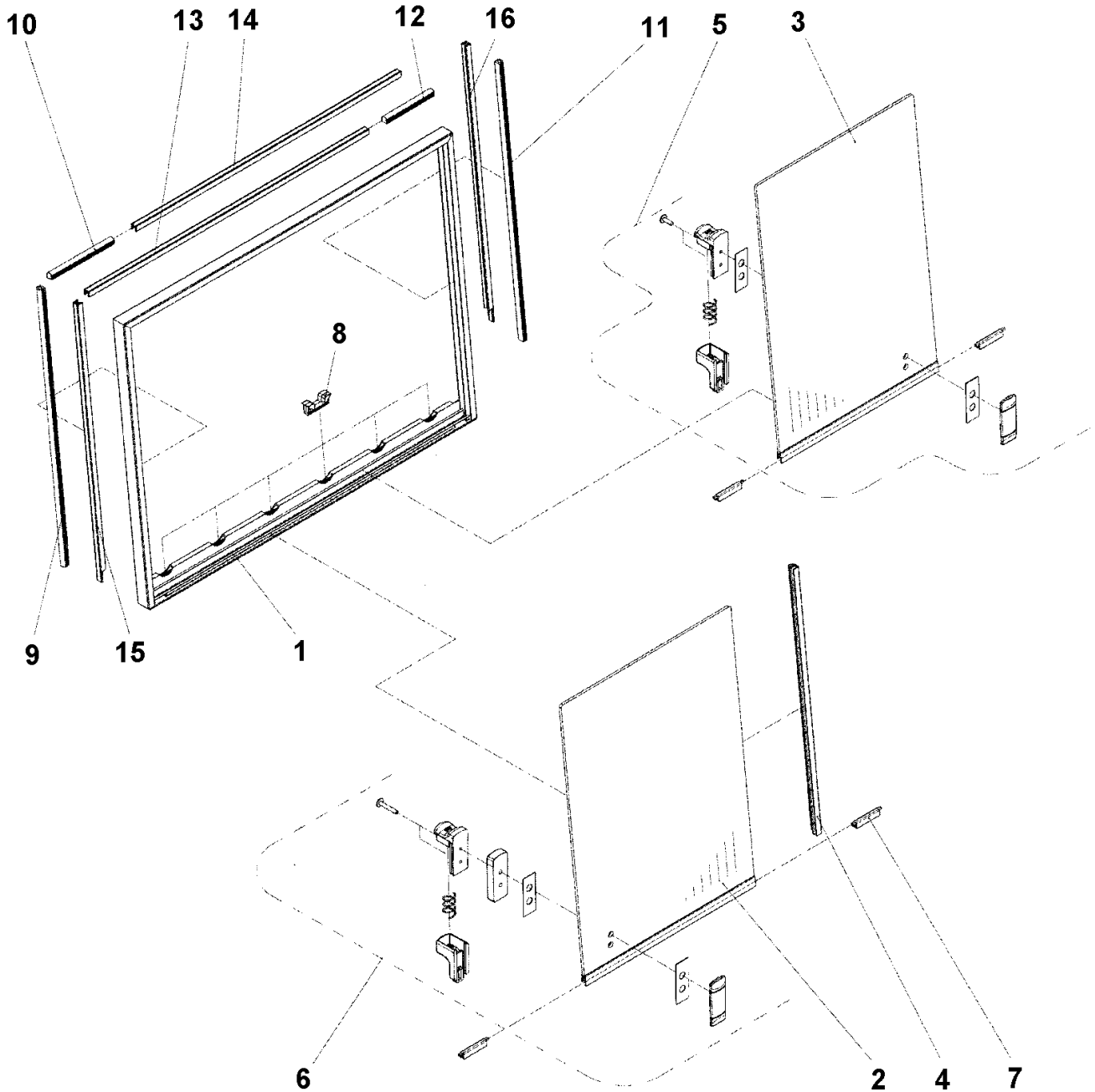


Item	Part No.	Name	Qty	L	SN INFO
1	4812116199	Door	1		
2	4812159183	Rubber list	4.41		
3	4812115200	Sliding screen, left hand	1		
4	4812114593	Screen	1		
5	4812115203	Handle	1		
5	4812159558	Key (2pcs)	1		
6	4812115204	Washer	1		
7	4812115205	Washer	1		
8	4812115206	Washer	1		
9	4812115207	Bushing	1		
10	4812115208	Rubber gasket	1		
11	4812115209	Bracket	1		
12	4700904228	Washer 6,4x12x1,5	1		
13	-	Screw, M6x25	1		
14	4812115210	Lock	1		
15	-	Screw, M8x35	2		
16	4812115211	Lock rod	1		
17	4700570005	Hexagon nut	4		
18	4812115212	Lock handle	1		
19	4812115213	Lock rod	1		
20	4812115214	Gas spring	1		
21	4812115215	Ball stud	1		
22	4700791182	Nut, M8 -8 DIN985	1		
23	-	Protecting cap	1		
24	4700791182	Nut, M8 -8 DIN985	1		
25	4812115216	Hinge	2		
26	-	Gasket	4		
27	4812115217	Pin	2		
28	-	Lubrication nipple	2		
29	-	Screw, M8x25	6		
30	4812115218	Hinge	2		
31	4812161353	Speed nut	3		
32	4812115201	Door cover	1		
33	4812161352	Screw	3		
34	4812161098	Seal list	2,75 6		
35	4812161099	Seal list	2,77		

Refer to Parts Online for the most up to date information. The printed information might be outdated.

Wed Nov 21 11:45:51 UTC 2018

4812112301 Cab, cpl Comfort 4812115200 Sliding screen, left hand



Refer to Parts Online for the most up to date information. The printed information might be outdated.

Wed Nov 21 11:45:51 UTC 2018

Item	Part No.	Name	Qty	L	SN INFO
1	-	Window frame	1		
2	4812115225	Screen	1		
-	4812161251	Sealing bar	1		
3	4812115226	Screen	1		
4	4812160388	Sealing bar	1		
5	4812115219	Handle	1		
6	4812115220	Handle	1		
7	4812159775	Guide	4		
8	4812115223	Bracket	6		
9	4812161156	Strip	1XL	A	
10	4812161155	Strip	1XL	B	
11	4812161156	Strip	1XL	C	
12	4812161155	Strip	1XL	D	
13	4812160877	Window seal	1XL	E	
14	4812160877	Window seal	1XL	F	
15	4812160877	Window seal	1XL	G	
16	4812160877	Window seal	1XL	H	

Comments for Page: 4812115200 Sliding screen, left hand

(L)OCAL REMARKS

A | en\_US | L=0.612m

B | en\_US | L=0.15m

C | en\_US | L=0.613m

D | en\_US | L=0.117m

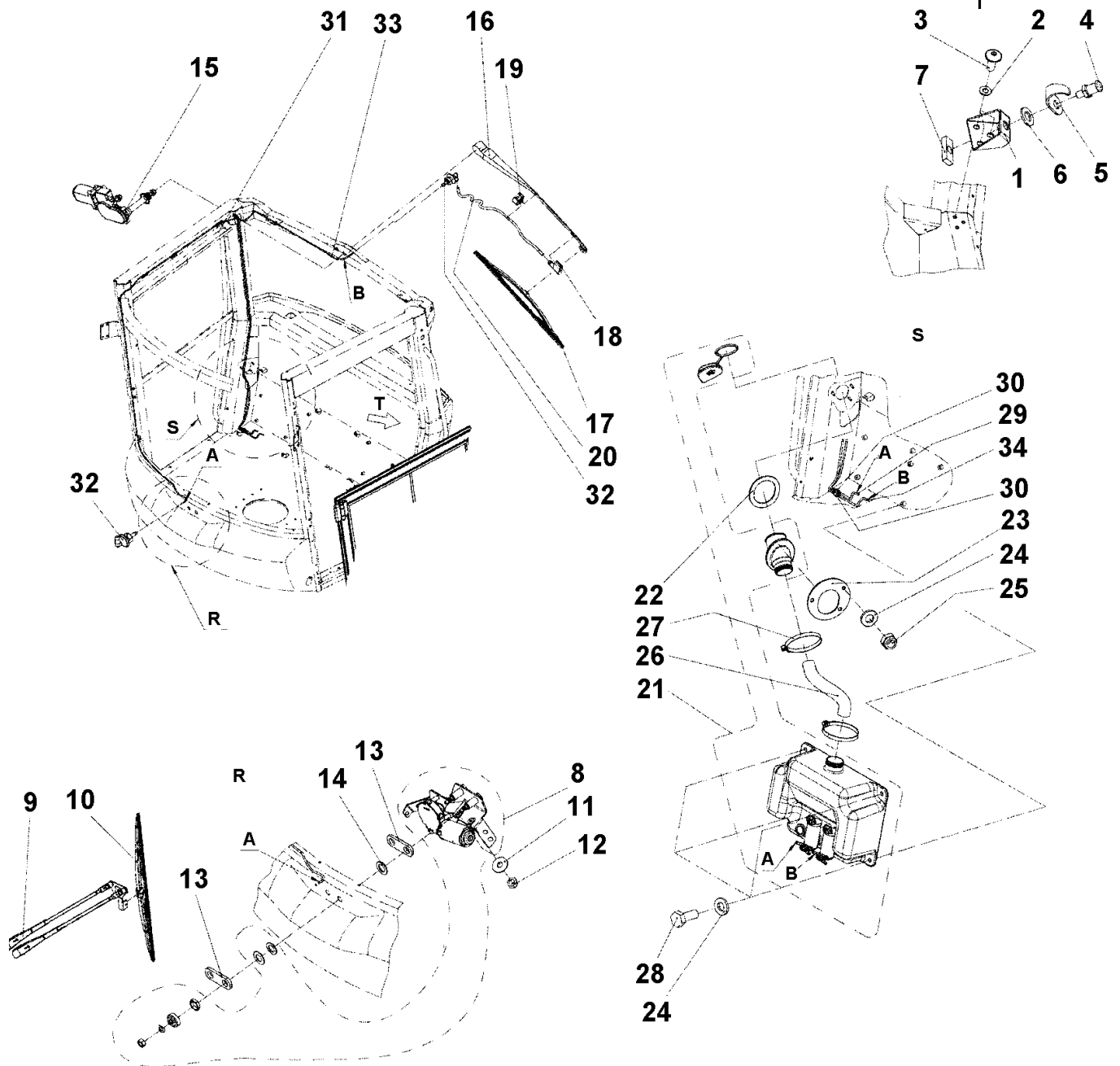
E | en\_US | L=0.676m

F | en\_US | L=0.643m

G | en\_US | L=0.612m

H | en\_US | L=0.613m

4812112301 Cab, cpl Comfort Windshield wiper



Refer to Parts Online for the most up to date information. The printed information might be outdated.

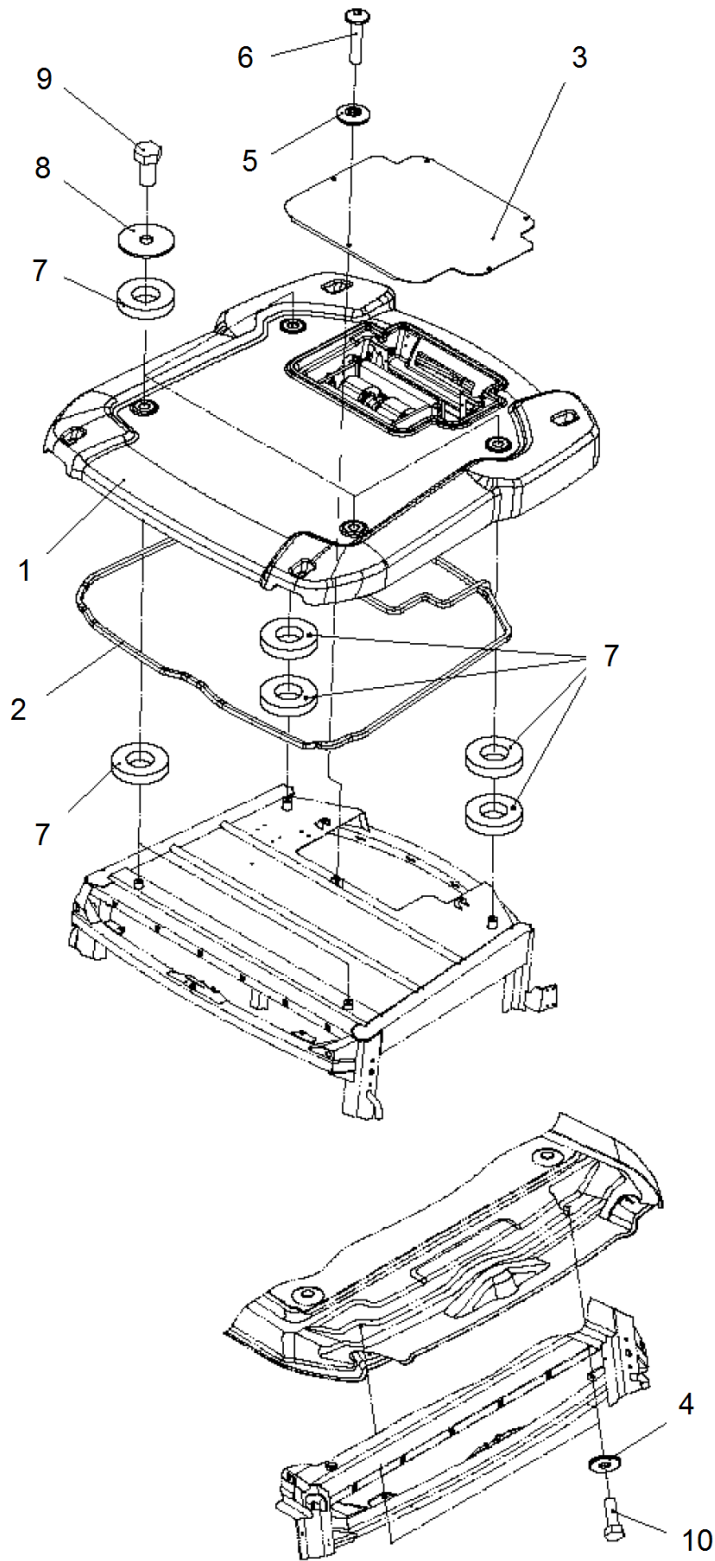
Wed Nov 21 11:45:51 UTC 2018

Item	Part No.	Name	Qty	L	SN INFO
1	4812114606	Bracket	1		
2	-	Gasket	3		
3	-	Screw	3		
4	4812114598	Bolt	1		
5	4812114599	Clamp	1		
6	4812114602	Washer	1		
7	4812114603	Plate	1		
8	4812114600	Wiper motor, front	1		
9	4812114604	Wiper arm w nozzle	1		
10	4812114605	Wiper blade, front	1		
11	4700601003	Washer, 8,4x25x2 mm	2		
12	4700791182	Nut, M8 -8 DIN985	2		
13	-	Spacer	2		
14	-	Gasket	2		
15	4812114601	Wiper motor, rear	1		
16	4812114607	Wiper arm	1		
17	4812114608	Wiper blade, rear	1		
18	4812114610	Nozzle	1		
19	4812114609	Clamp	1		
20	4812114611	Hose	0,42		
21	4812114612	Water tank	1		
21	4812158293	Cap	1		
21	4812160666	Electric washer pump	2		
22	4812161158	Rubber seal	0,20		
23	4812114613	Bracket	1		
24	4700904228	Washer 6,4x12x1,5	7		
25	4700904563	Lock nut M6	3		
26	4812115162	Filling pipe	1		
27	4700313023	Hose clamp	2		
28	4700500013	Screw, M6x16 mm 8.8 A2K	4		
29	4812114611	Hose	0,12		
30	4700908564	Check valve	2		
31	4812114611	Hose	4,40		
32	4700908561	Grommet	2		
33	4812114611	Hose	2,55		
34	4812114611	Hose	0,16		

Refer to Parts Online for the most up to date information. The printed information might be outdated.

Wed Nov 21 11:45:51 UTC 2018

4812112301 Cab, cpl Comfort Roof



Refer to Parts Online for the most up to date information. The printed information might be outdated.

Wed Nov 21 11:45:52 UTC 2018

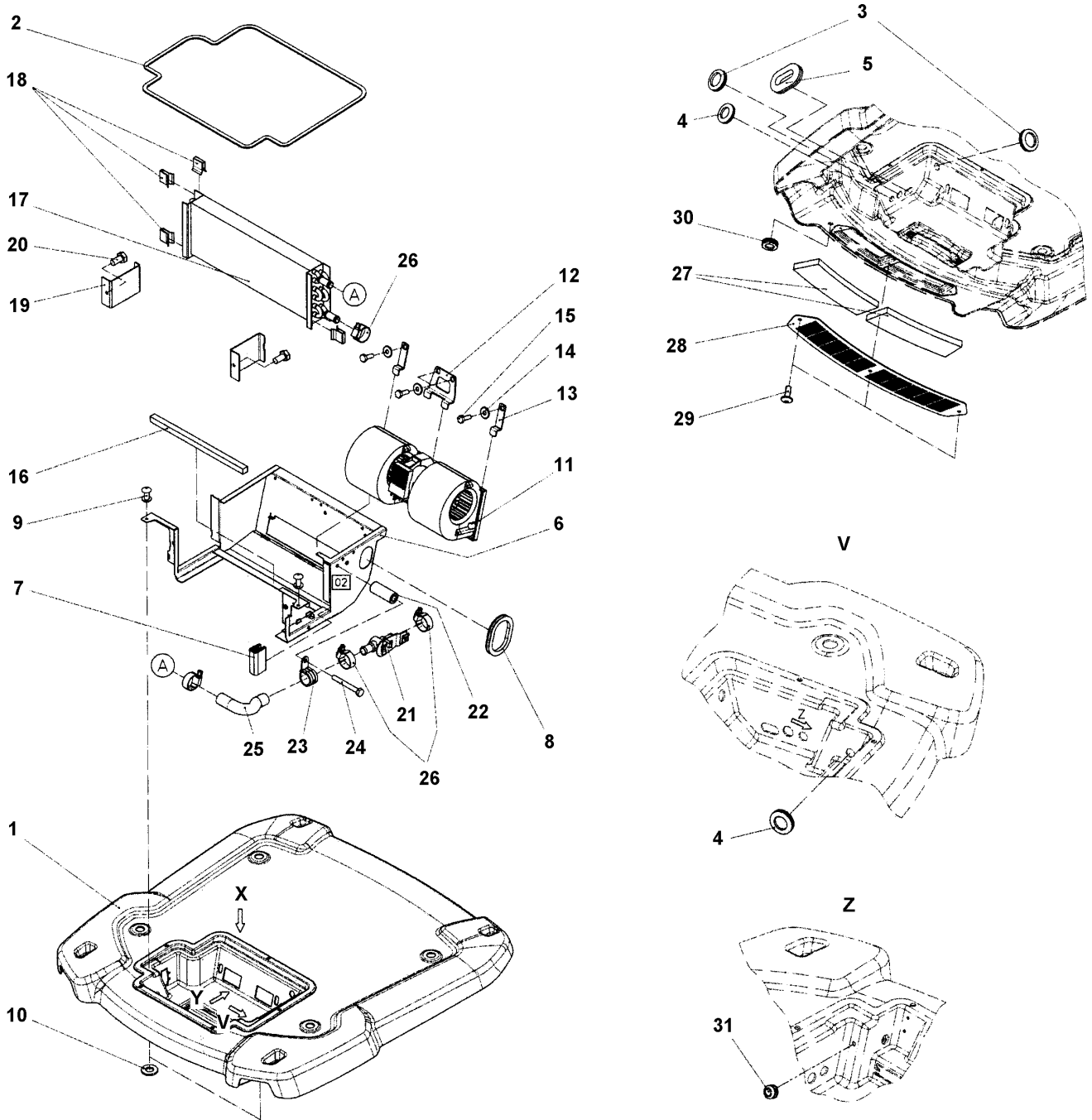
Item	Part No.	Name	Qty	L	SN INFO
1	-	Heater assy	1		
2	4812115164	Rubber strip	1XL	A	
3	4812115165	AC hood	1		
4	4700601003	Washer, 8,4x25x2 mm	2		
5	4812120255	Seal washer	5		
6	4812162571	Screw	5		
7	4812115170	Seal washer	10		
8	4812115171	Washer	4		
9	4812162572	Hexagon screw	4		
10	4700947680	Hexagon head screw m	2		

Comments for Page: Roof

(L)OCAL REMARKS

A | en\_US | L=6.7m

4812112301 Cab, cpl Comfort Heater Assy



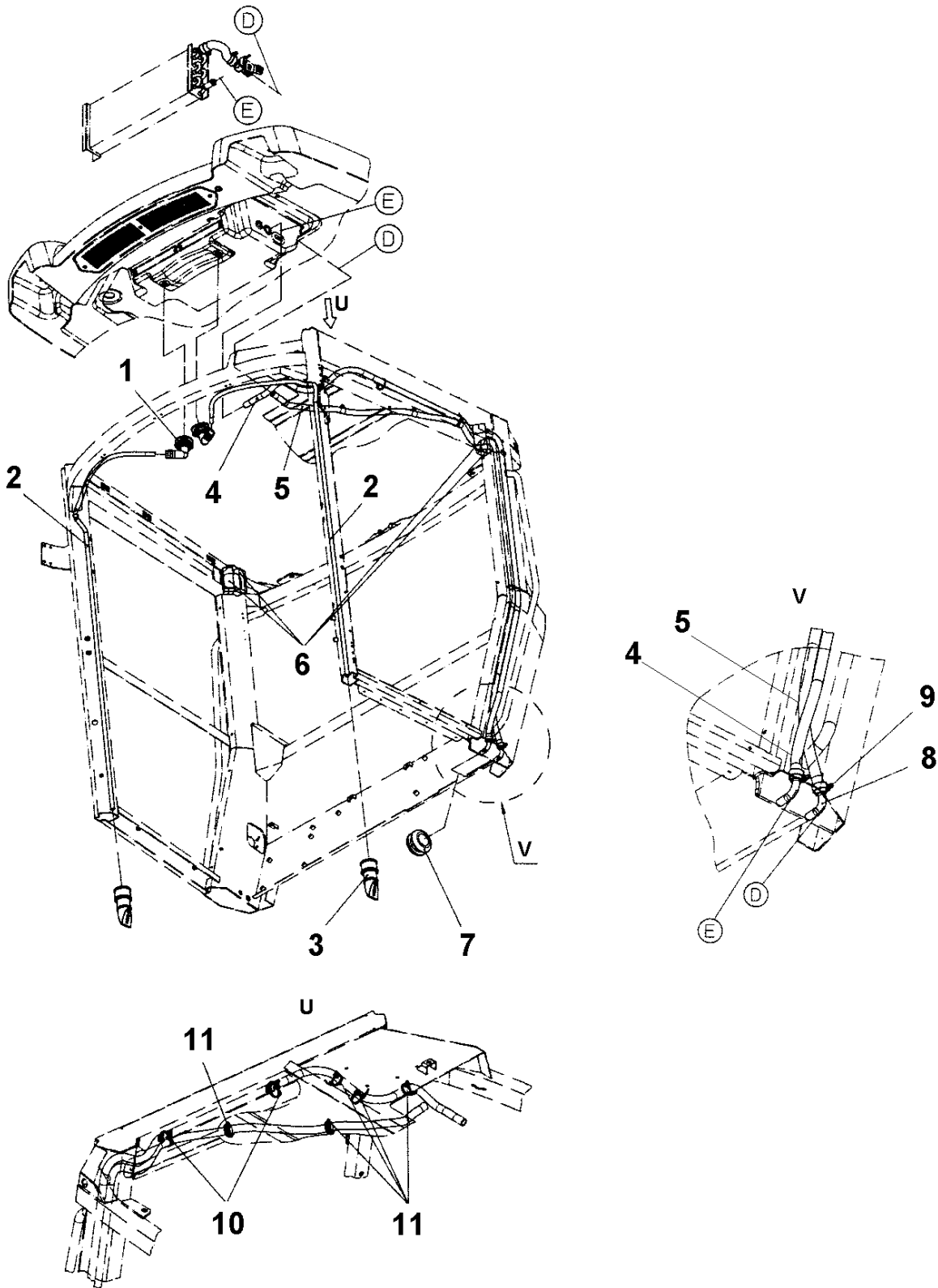
Refer to Parts Online for the most up to date information. The printed information might be outdated.

Wed Nov 21 11:45:52 UTC 2018



Item	Part No.	Name	Qty	L	SN INFO
1	4812116201	Roof	1		
2	4812161165	Foam strip (Xm)	2,56		
3	-	Grommet	2		
4	4700929587	Grommet	2		
5	4812115228	Grommet	1		
6	4812115229	Bracket	1		
7	4700202028	Edge trim	0,03		
8	4812115186	Cover	1		
9	4700791666	Blind rivet	2		
10	4700904229	Washer, 8.4x 6x1.5 mm 300HV	2		
11	4812158485	Fan 24V	1		
12	4812115230	Bracket	1		
13	4812116192	Bracket	2		
14	4700904229	Washer, 8.4x 6x1.5 mm 300HV	4		
15	-	Hexagon screw	4		
16	4812115164	Rubber strip	0,41		
17	4812116193	Heater coil	1		
18	4812116194	Clip	4		
19	4812116195	Bracket	2		
20	4700500012	Hex. screw	2		
21	4700939693	Heater control valve	1		
22	4700372174	Spacer	1		
23	4700903670	Clamp	1		
24	4700500079	Screw M6-1x50 8,8	1		
25	4700205112	Coolant hose	0,15		
26	4700313004	Hose clamp 19-29mm	4		
27	4812116197	Air filter	2		
28	4812116198	Cover	1		
29	4812161352	Screw	3		
30	4700791475	Grommet	1		
31	-	Grommet	1		

4812112301 Cab, cpl Comfort Hose kit heater



Refer to Parts Online for the most up to date information. The printed information might be outdated.

Wed Nov 21 11:45:52 UTC 2018

Item	Part No.	Name	Qty	L	SN INFO
1	4812115167	Connector	2		
2	4812115168	Drain hose	2XL	A	
3	4812115169	Drain valve	2		
4	4700205112	Coolant hose	1XL	B	
5	4700205112	Coolant hose	1XL	C	
6	-	Foam	1		
7	-	Grommet	1		
8	4812115172	Connection pipe	2		
9	4700313004	Hose clamp 19-29mm	2		
10	4700313041	Cable ties	2		
11	4700792441	Cable tie with holder	5		

Comments for Page: Hose kit heater

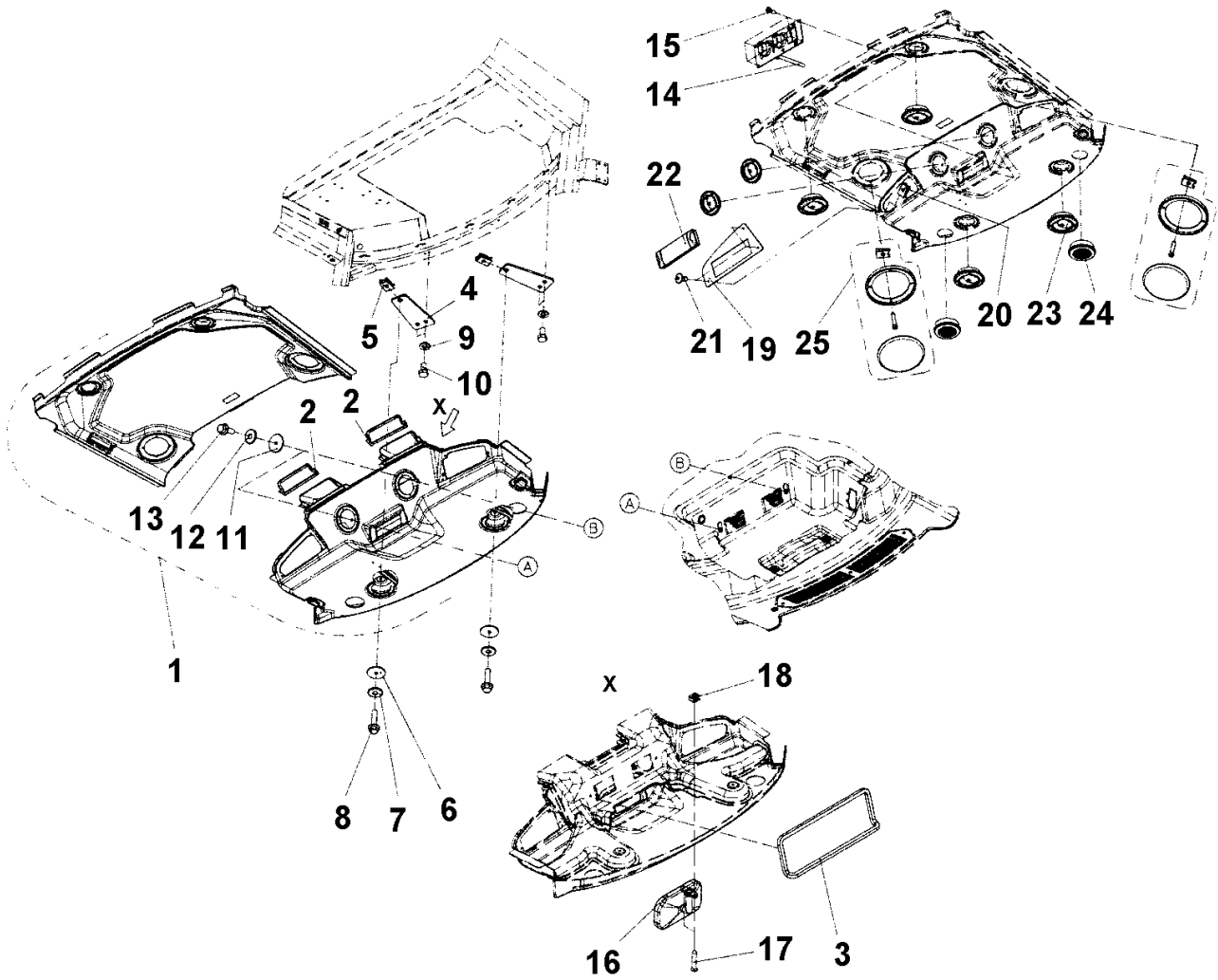
(L)OCAL REMARKS

A | en\_US | L=1.96m

B | en\_US | L=2.831m

C | en\_US | L=2.5m

4812112301 Cab, cpl Comfort Cab Interior



Refer to Parts Online for the most up to date information. The printed information might be outdated.

Wed Nov 21 11:45:53 UTC 2018

Item	Part No.	Name	Qty	L	SN INFO
1	4812158992	Inner panel, cpl	1		
2	4812160772	Rubber list	2XL	A	
3	4812160771	Seal	1XL	B	
4	4812115175	Bracket	2		
5	4812114567	Speed nut	2		
6	4812120269	Sealing washer	2		
7	4700928381	Washer, 6.4x18x1.6 mm	2		
8	4812162654	Screw	2		
9	4700904228	Washer 6,4x12x1,5	4		
10	4700500012	Hex. screw	4		
11	4812120269	Sealing washer	2		
12	4700928381	Washer, 6.4x18x1.6 mm	2		
13	4700792119	Screw, M6x16 mm 8.8 A2K	2		
14	-	Heater controls	1		
15	-	Screw	4		
16	4812115177	Mirror	1		
17	4812159768	Screw	2		
18	4812159767	Speed nut	2		
19	4812115178	Radio console	1		
20	4811000458	Speed nut	3		
21	-	Screw	3		
22	4812115179	Radio cover	1		
23	4812115180	Air nozzle	6		
24	-	Air inlet cover	2		
25	-	Speaker cover	2		

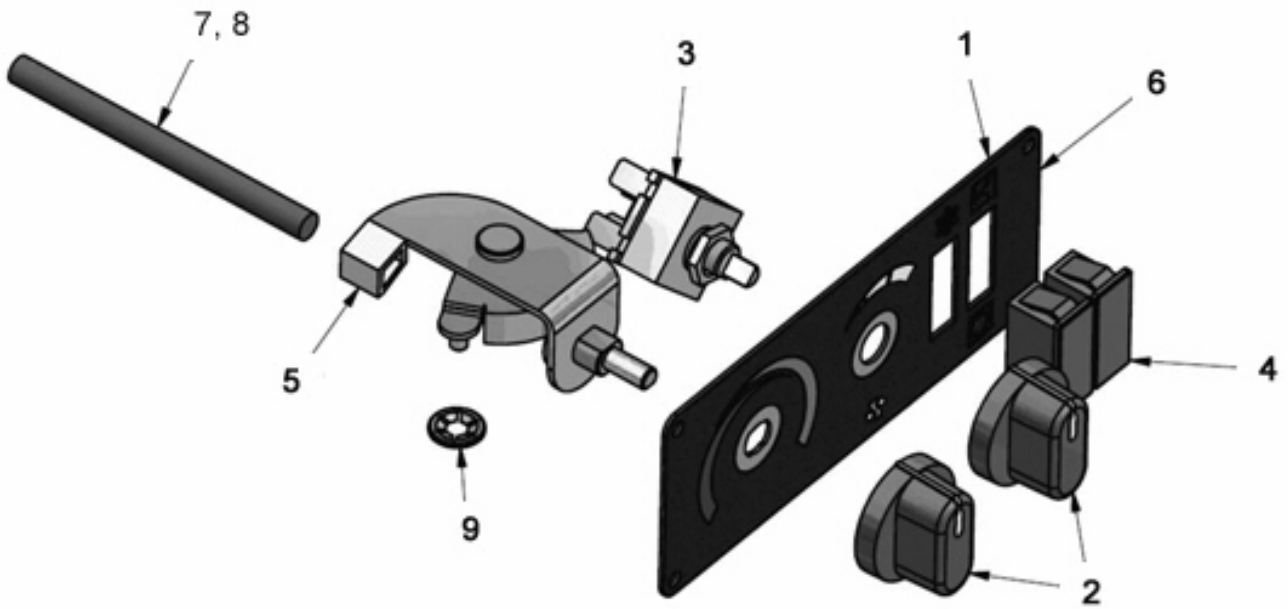
Comments for Page: Cab Interior

(L)OCAL REMARKS

A | en\_US | L=0.525m

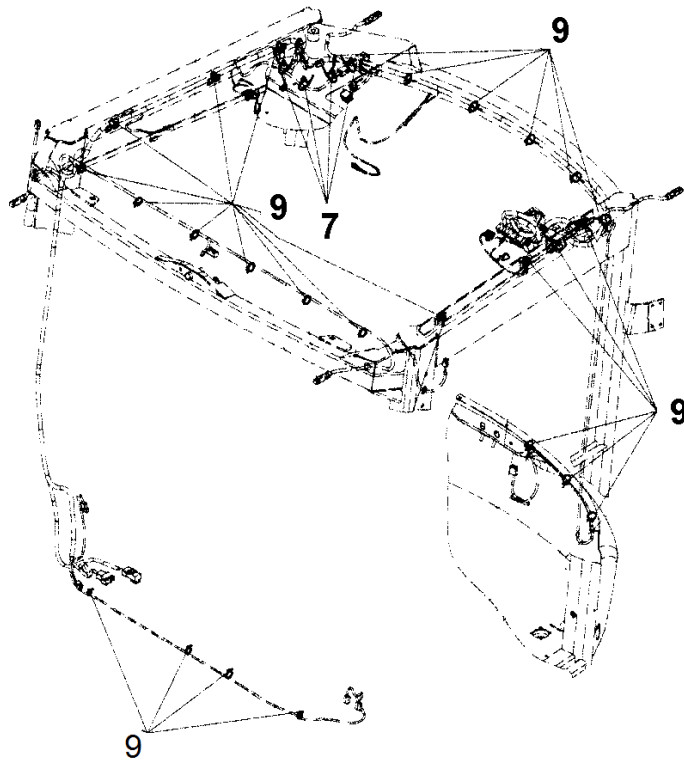
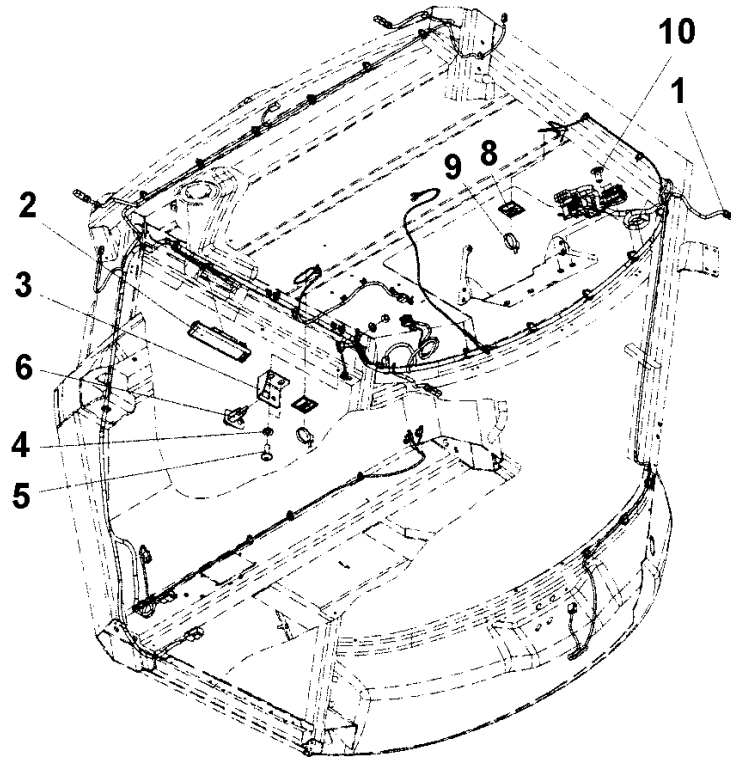
B | en\_US | L=0.915m

**4812112301 Cab, cpl Comfort** Heater controls



Item	Part No.	Name	Qty	L	SN INFO
1	-	Panel plate	1		
2	4700377508	Knob	2		
3	4700938622	Switch	1		
4	-	Injector part	2		
5	4700377507	Rotary control	1		
6	-	Overlay	1		
7	4700395841	Wire clips	1		
8	-	Wire	1		
9	4700395843	Lock washer	2		

4812112301 Cab, cpl Comfort Cab cable harness



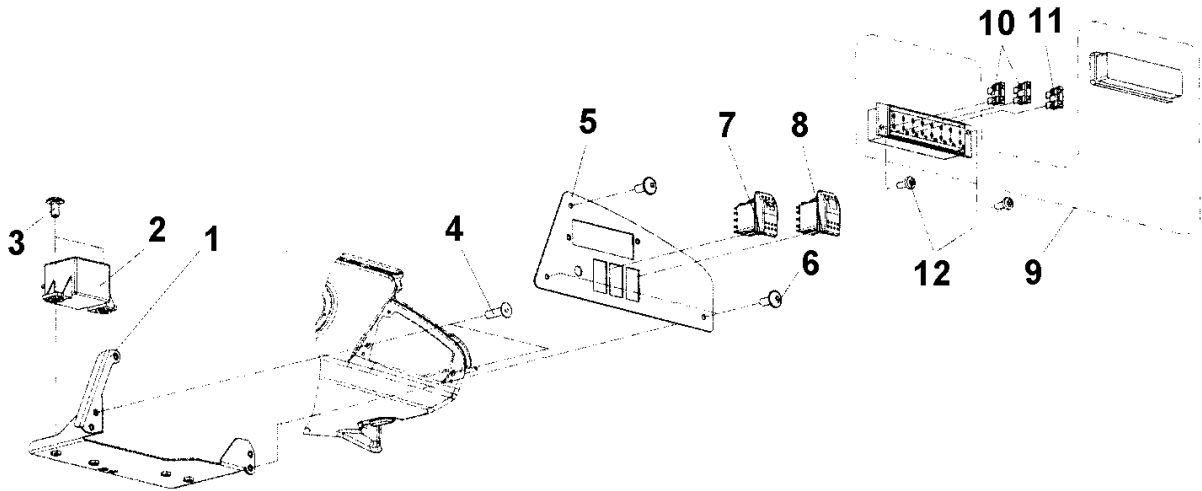
Refer to Parts Online for the most up to date information. The printed information might be outdated.

Wed Nov 21 11:45:53 UTC 2018



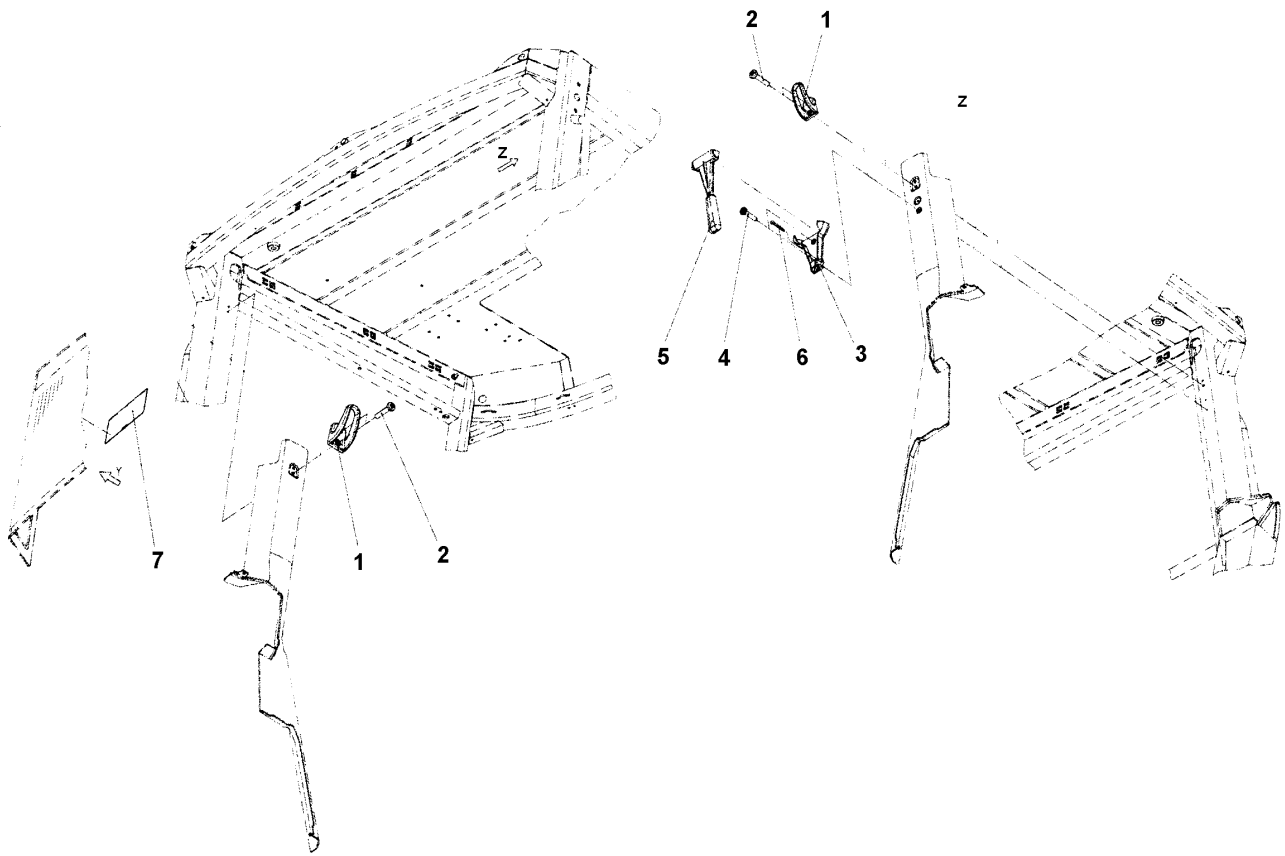
Item	Part No.	Name	Qty	L	SN INFO
1	4812115181	Cable harness	1		
2	4812120257	Inner light	1		
2	4700792715	Bulb, 10W	2		
3	4812115182	Bracket	1		
4	4700904228	Washer 6,4x12x1,5	2		
5	-	Screw	2		
6	4812115183	Door switch	1		
7	4700792441	Cable tie with holder	4		
8	4812161370	Cable support	2		
9	4700313041	Cable ties	28		
10	-	Screw	2		

**4812112301 Cab, cpl Comfort** Cab, electrical equipment



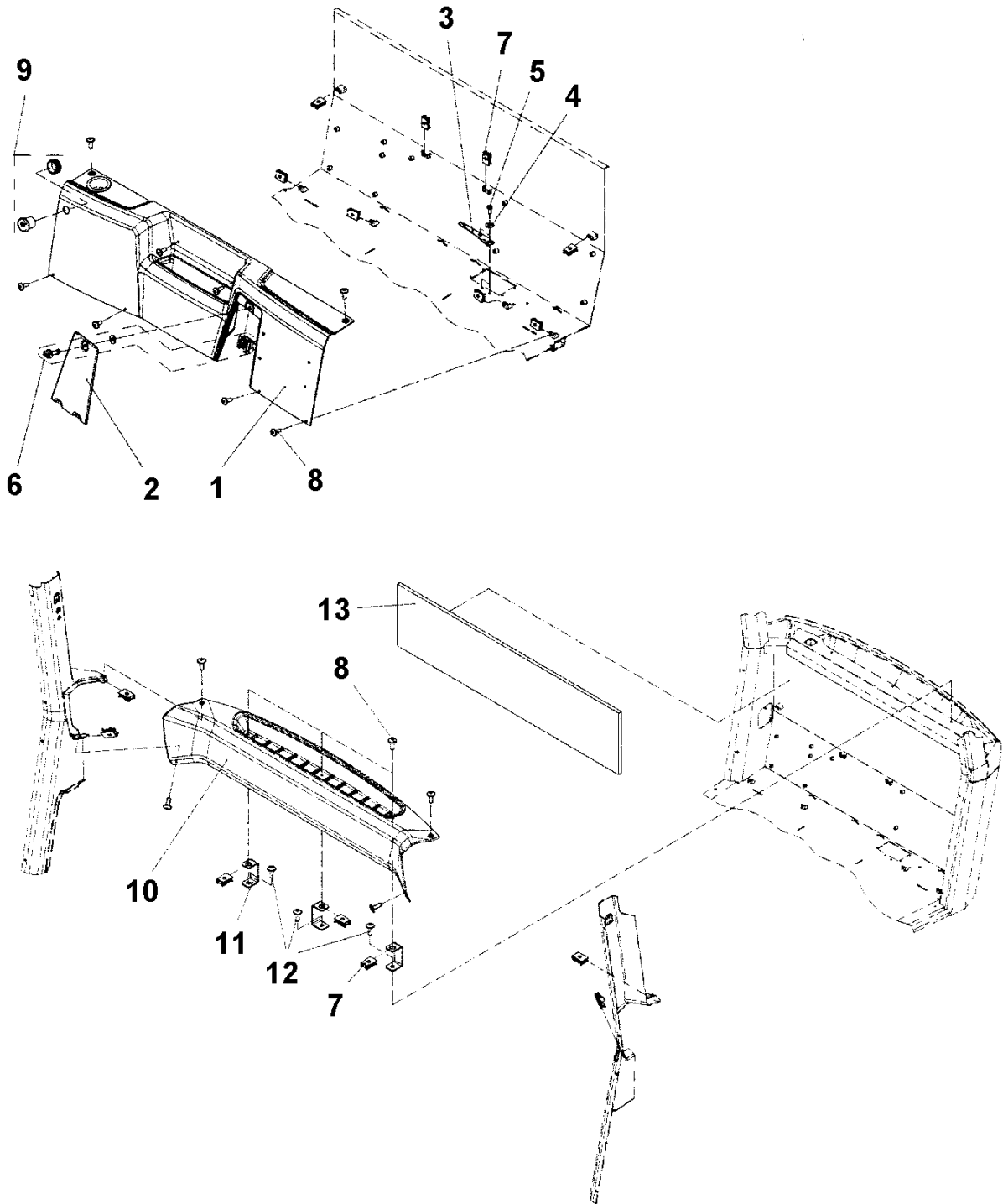
Item	Part No.	Name	Qty	L	SN INFO
1	4812115184	Bracket	1		
2	4700792309	Relay	1		
3	-	Screw	2		
4	4700904504	Screw M5 x 18	2		
5	4812115185	Bracket	1		
6	-	Screw	3		
7	4812115187	Switch, Windshield wiper, rear	1		
8	4700792505	Switch, Windshield washers	1		
9	4700791185	Fuse box	1		
10	4700901227	Fuse 10A Red	2		
11	4700901228	Fuse, 15A Blue	1		
12	4700791966	Head screw M4 x 12	2		

4812112301 Cab, cpl Comfort Emergency hammer, hook



Item	Part No.	Name	Qty	L	SN INFO
1	4700908505	Hook	2		
2	-	Screw	4		
3	4700908506	Emergency hammer hook	1		
4	-	Screw	2		
5	4700908507	Emergency hammer	1		
6	-	Pin	1		
7	4700903590	Decal emergency exit	1		

4812112301 Cab, cpl Comfort Cab, rear cover

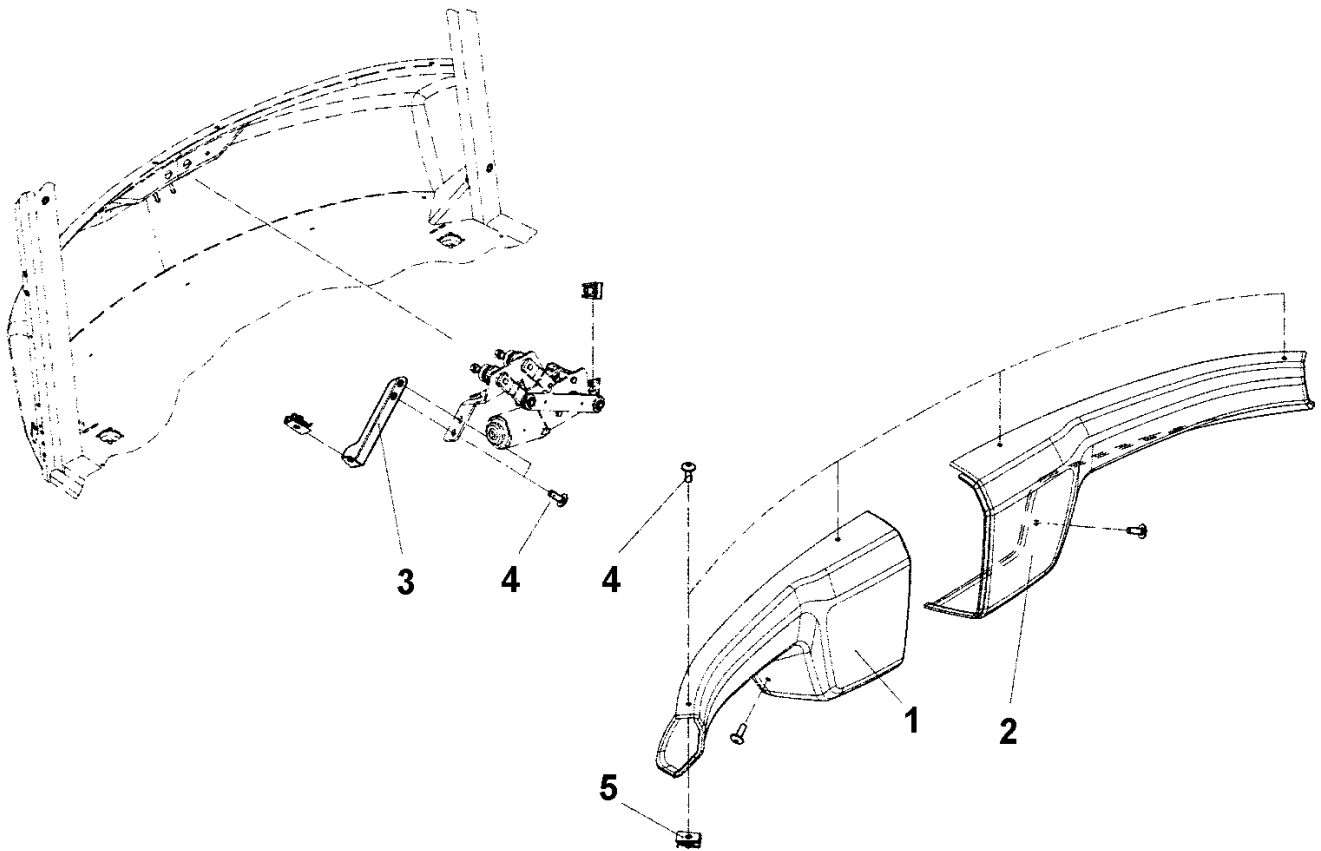


Refer to Parts Online for the most up to date information. The printed information might be outdated.

Wed Nov 21 11:45:54 UTC 2018

Item	Part No.	Name	Qty	L	SN INFO
1	4812114573	Cover	1		
2	4812114564	Service cover	1		
3	4812114565	Bracket	1		
4	4700601001	Washer	2		
5	4700500004	Screw M5x12 8,8	2		
6	4812114566	Turn fastener	1		
7	4812114567	Speed nut	15		
8	4812161352	Screw	15		
9	4700395816	Plug socket 24V	1		
10	4812114574	Cover	1		
11	4812114575	Bracket	3		
12	4812161352	Screw	3		
13	4812114576	Cover	1		

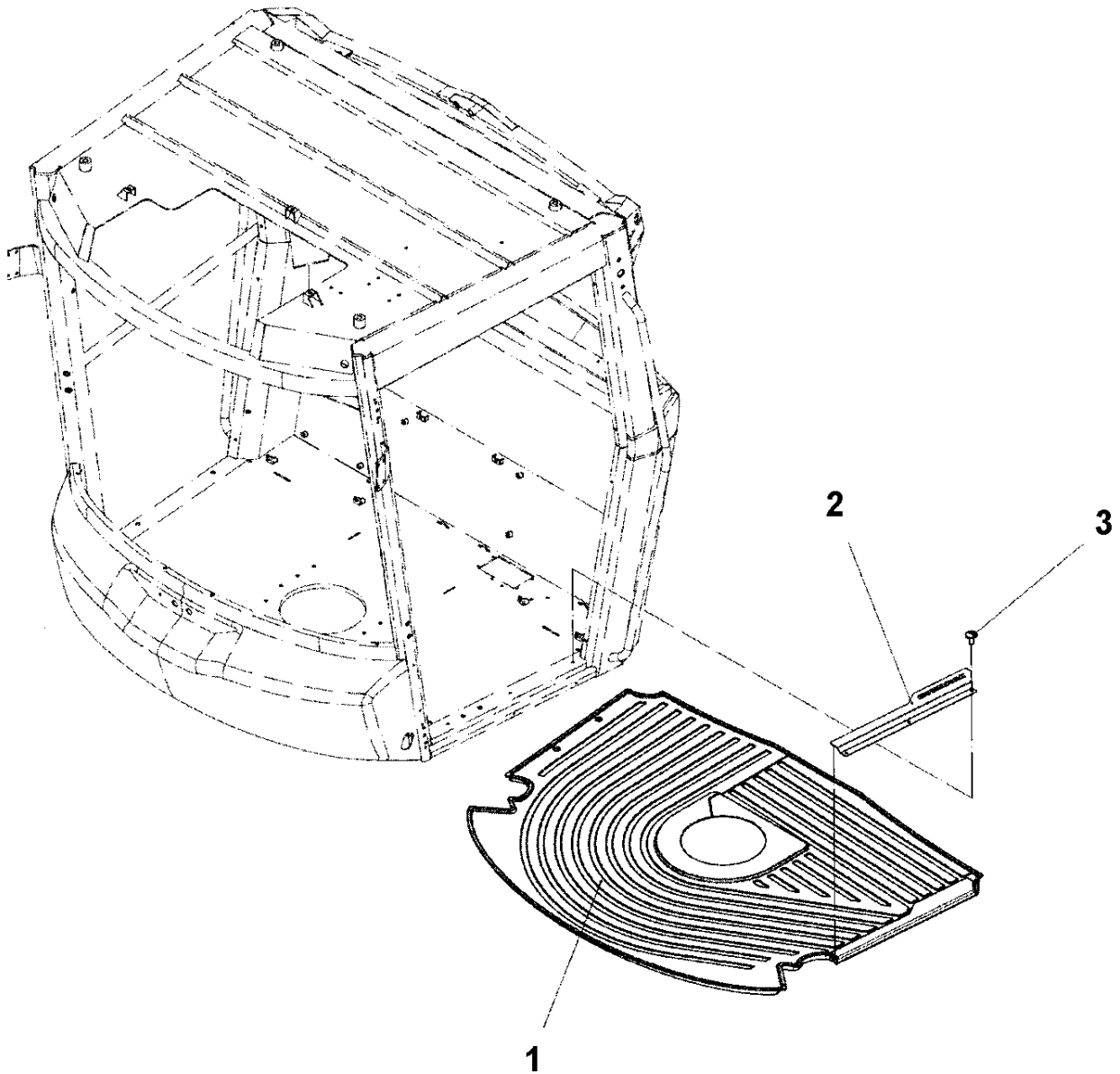
**4812112301 Cab, cpl Comfort** Cab, front cover





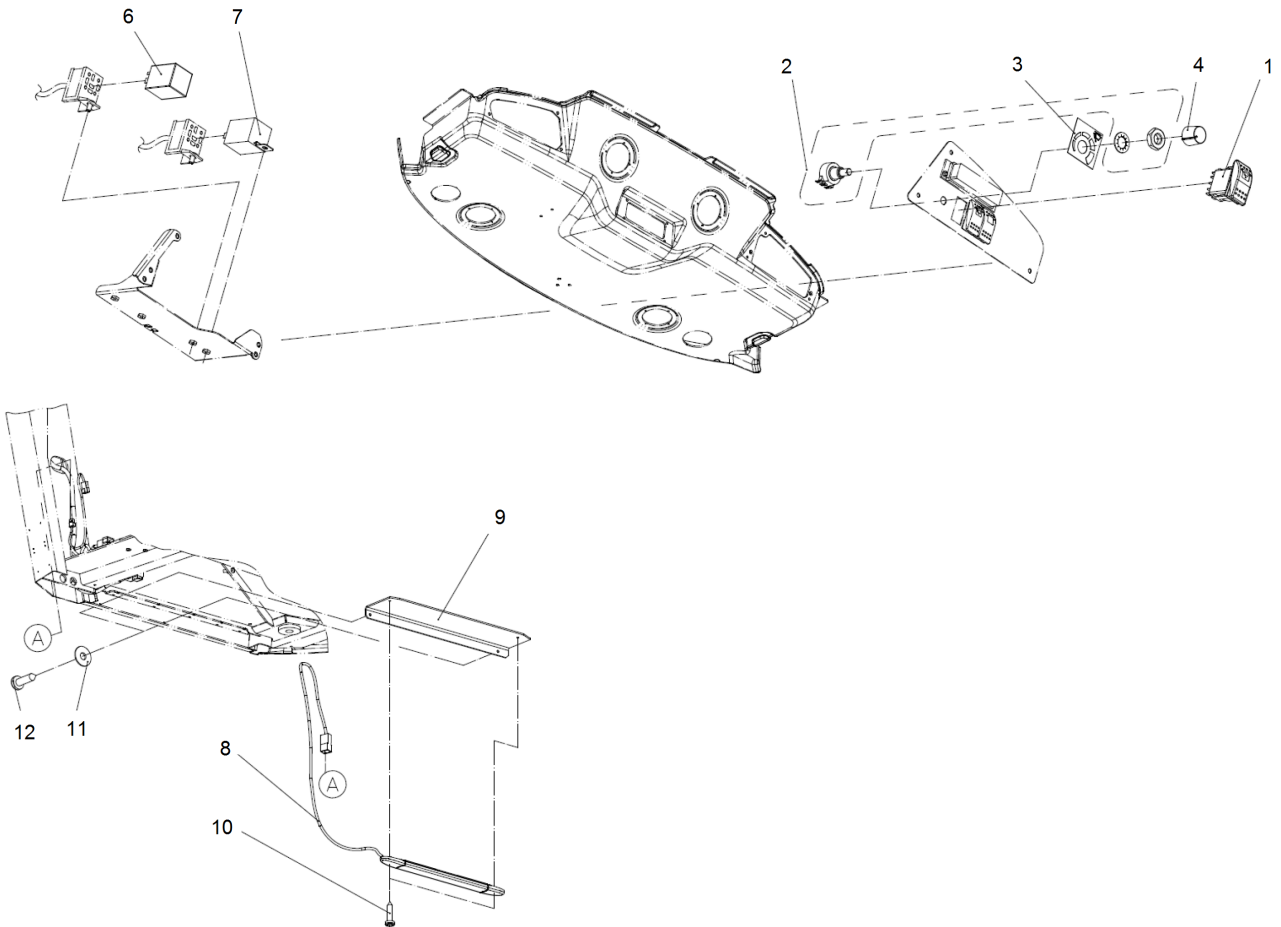
Item	Part No.	Name	Qty	L	SN INFO
1	4812114570	Cover	1		
2	4812114571	Cover	1		
3	4812114572	Bracket	1		
4	4812161352	Screw	8		
5	4812114567	Speed nut	6		

4812112301 Cab, cpl Comfort Floor mat



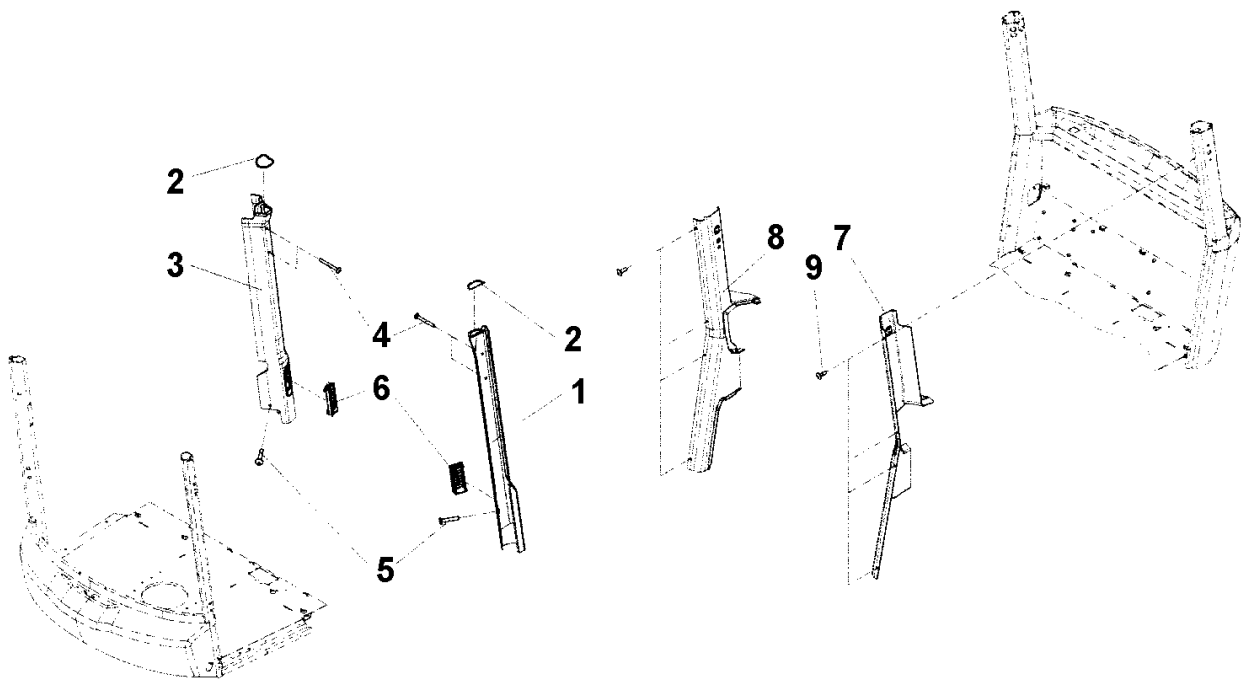
Item	Part No.	Name	Qty	L	SN INFO
1	4812115197	Floor mat	1		
2	4812115198	Entrance plate	1		
3	4812161371	Screw	3		

**4812112301 Cab, cpl Comfort** Step light, front wiper switches



Item	Part No.	Name	Qty	L	SN INFO
1	4812115188	Switch, front wiper	1		
2	4812115189	Potentiometer	1		
3	-	Decal	1		
4	4812158859	Turning knob	1		
6	4812115190	Wiper Interval Relay	1		
7	4812115191	Time control unit	1		
8	4812115199	Step light	1		
9	4812115224	Bracket	1		
10	-	Screw	2		
11	-	Gasket	2		
12	-	Screw	2		

**4812112301 Cab, cpl Comfort Air channel**



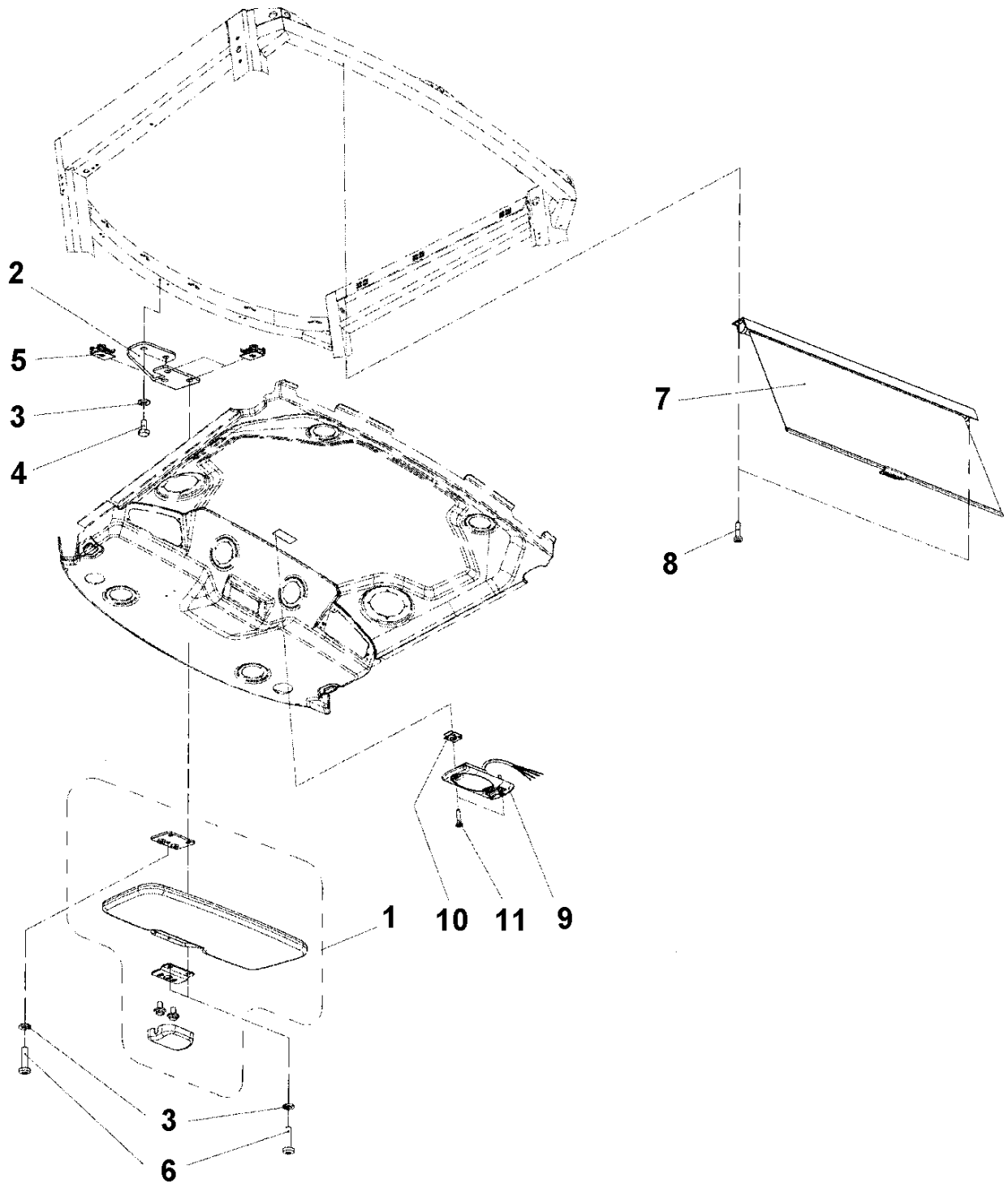
Item	Part No.	Name	Qty	L	SN INFO
1	4812114577	Air channel	1		
2	4812161099	Seal list	2XL	A	
3	4812114578	Air channel	1		
4	-	Screw	4		
5	-	Screw	2		
6	4812114579	Air nozzle	2		
7	4812114580	Cover	1		
8	4812114581	Cover	1		
9	-	Screw	8		

Comments for Page: Air channel

(L)OCAL REMARKS

A | en\_US | L=0.195m

4812112301 Cab, cpl Comfort Sun-blind, inner light



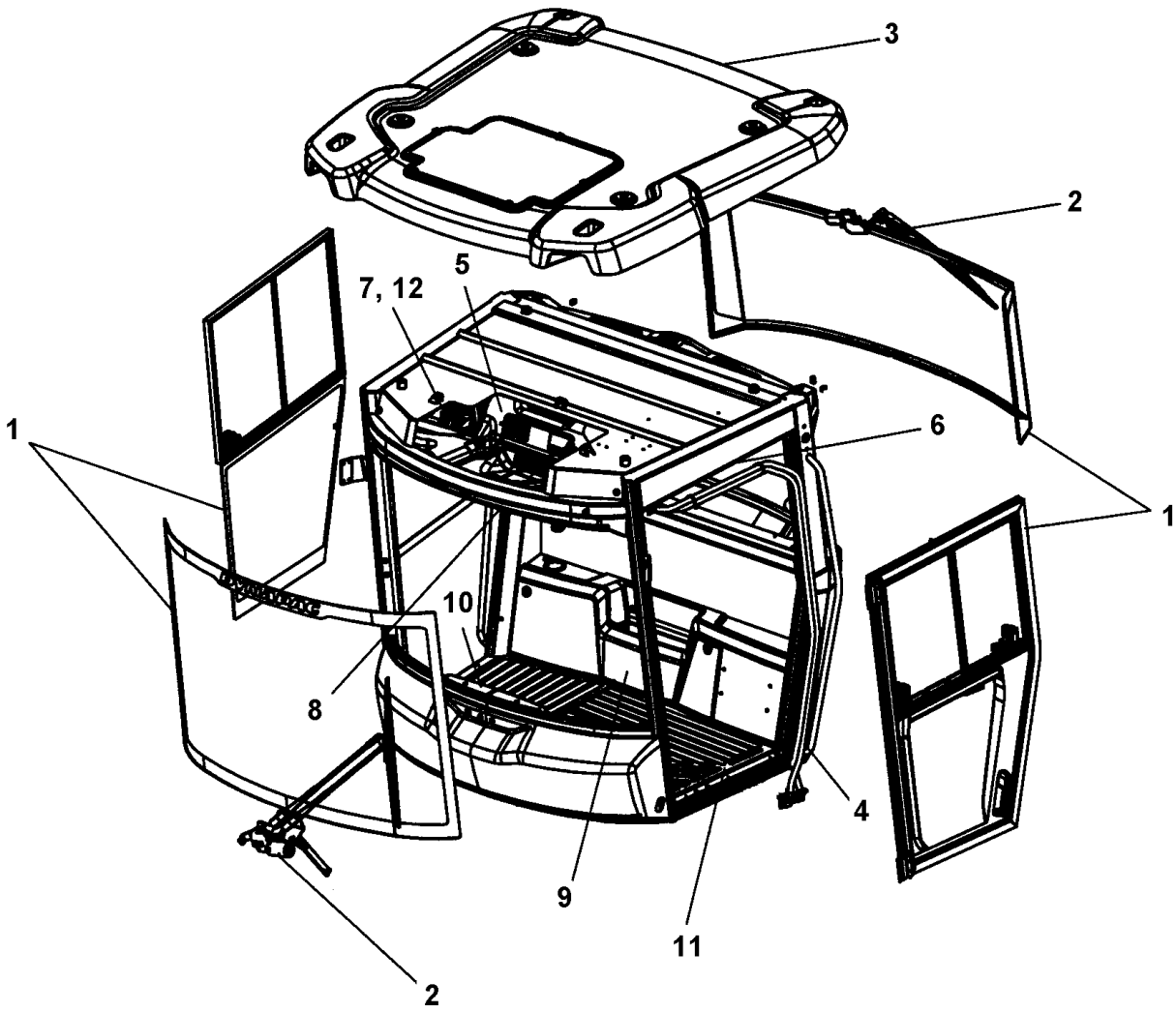
Refer to Parts Online for the most up to date information. The printed information might be outdated.

Wed Nov 21 11:45:55 UTC 2018



Item	Part No.	Name	Qty	L	SN INFO
1	4812114582	Sun-blind	1		
2	4812114583	Bracket	1		
3	4700904228	Washer 6,4x12x1,5	5		
4	4700500012	Hex. screw	2		
5	4812114567	Speed nut	3		
6	4700791171	Screw	3		
7	4812114584	Sun-blind	1		
8	4700904206	Screw, M6x16 mm	2		
9	4812114585	Inner light	1		
10	-	Lock nut	2		
11	-	Screw	2		

4812112302 Cab, cpl Basic 4812112302 Cab, cpl Basic

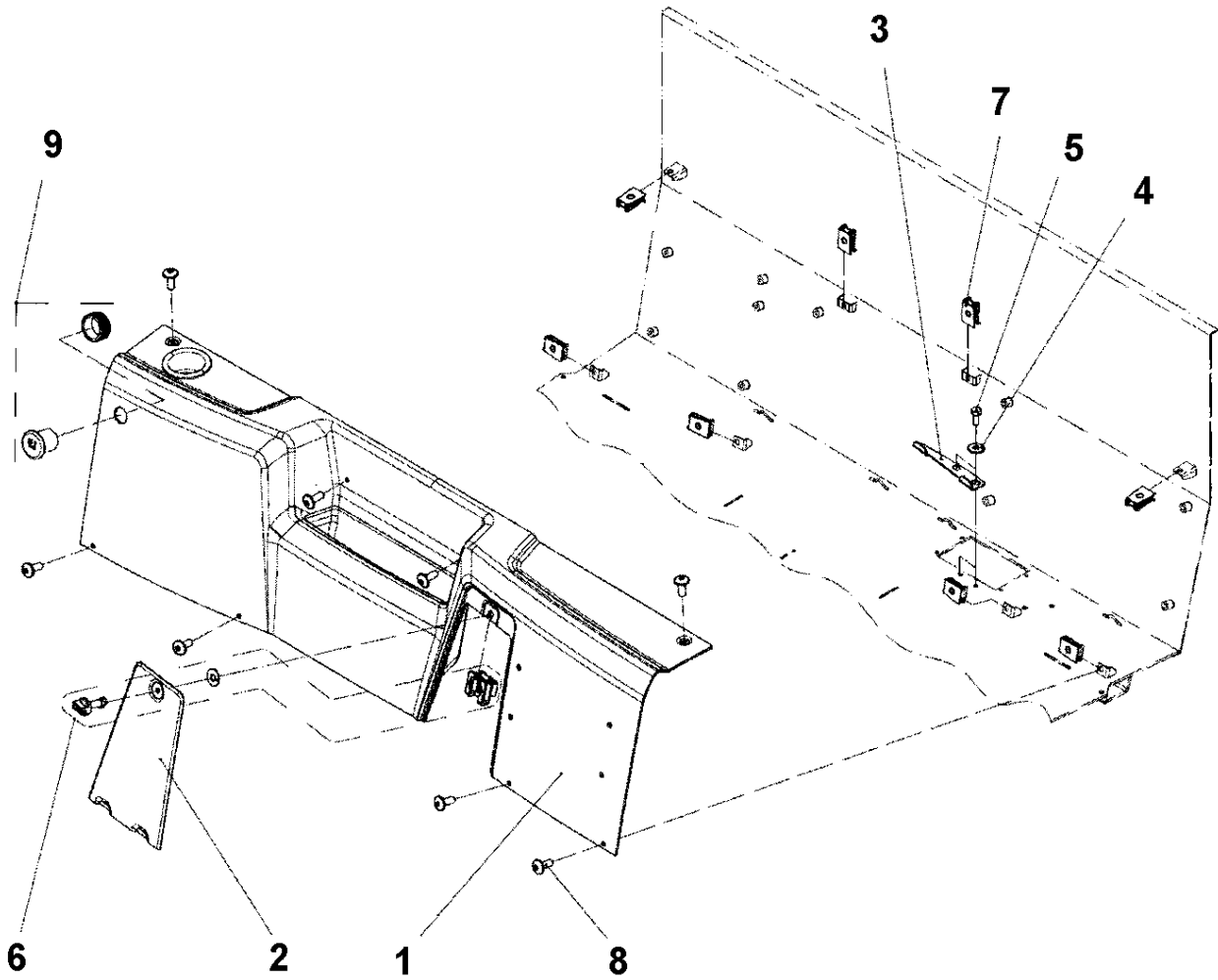


Refer to Parts Online for the most up to date information. The printed information might be outdated.

Wed Nov 21 11:45:55 UTC 2018

Item	Part No.	Name	Qty	L	SN INFO
1	-	Screens	1		
2	-	Windshield wiper	1		
3	-	Roof	1		
4	-	Hose kit heater	1		
5	-	Cab Interior	1		
6	-	Cab cable harness	1		
7	-	Cab, electrical equipment	1		
8	-	Emergency hammer, hook	1		
9	-	Cab, rear cover	1		
10	-	Cab, front cover	1		
11	4812114568	Floor mat	1		
12	-	Wiper switch, front	1		
14	-	Cab, basic kit	1		
15		Rops	1		

**4812112302 Cab, cpl Basic** Cab, rear cover

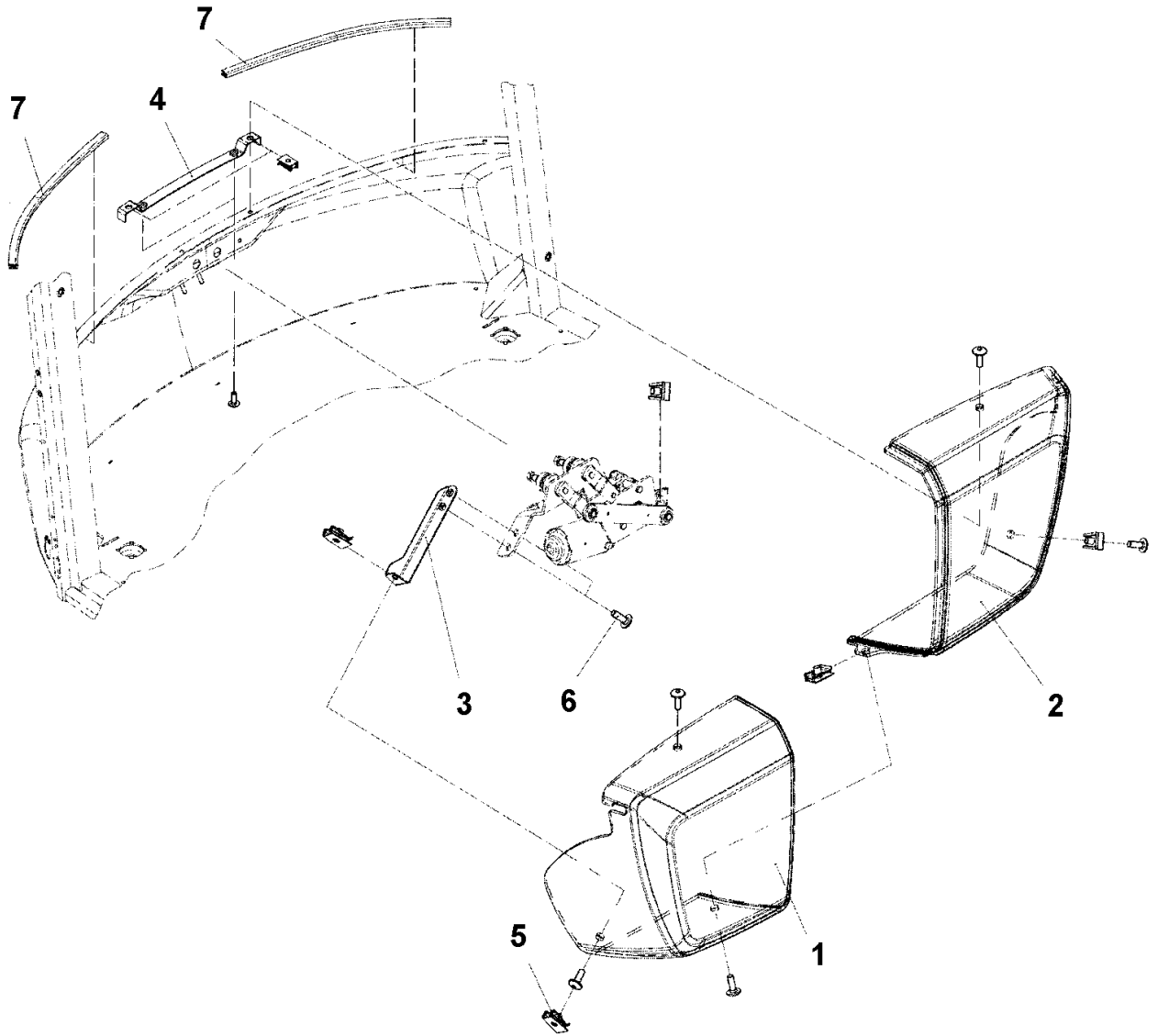


Refer to Parts Online for the most up to date information. The printed information might be outdated.

Wed Nov 21 11:45:55 UTC 2018

Item	Part No.	Name	Qty	L	SN INFO
1	4812114563	Rear cover	1		
2	4812114564	Service cover	1		
3	4812114565	Bracket	1		
4	4700601001	Washer	2		
5	4700500004	Screw M5x12 8,8	2		
6	4812114566	Turn fastener	1		
7	4812114567	Speed nut	8		
8	-	Screw	8		
9	-	Socket, 24V	1		

**4812112302 Cab, cpl Basic Cab, front cover**



Refer to Parts Online for the most up to date information. The printed information might be outdated.

Wed Nov 21 11:45:56 UTC 2018

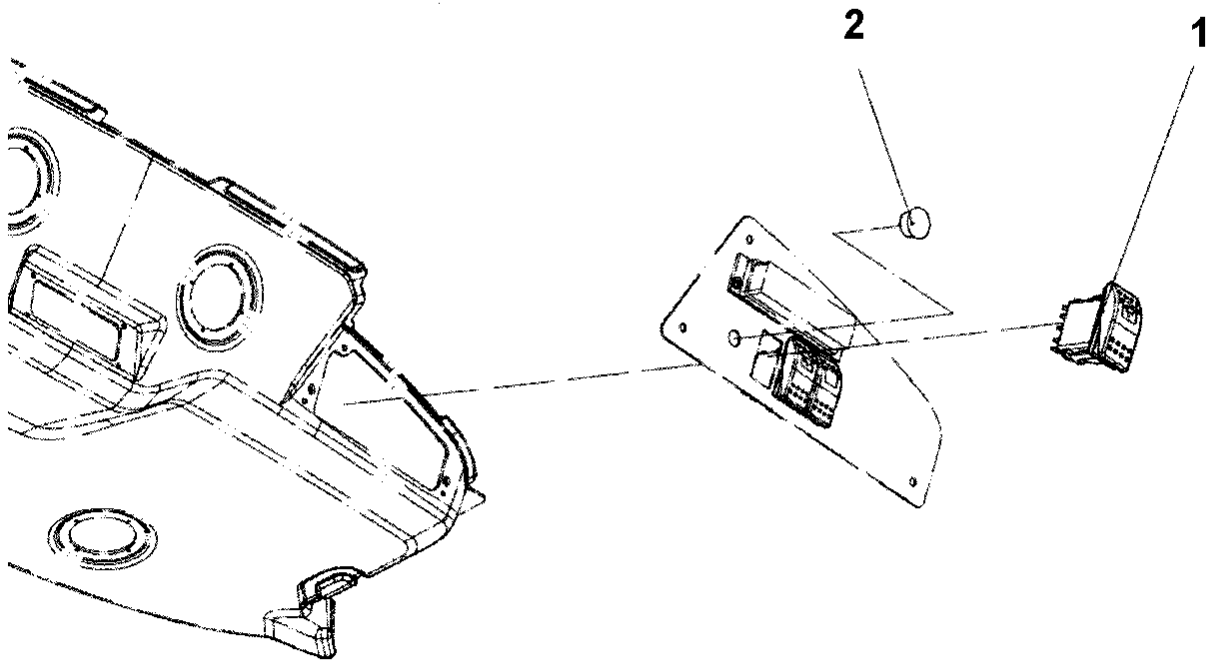
Item	Part No.	Name	Qty	L	SN INFO
1	-	Front cover Left	1		
2	-	Front cover Right	1		
3	4812114572	Bracket	1		
4	-	Bracket	1		
5	4812114567	Speed nut	5		
6	-	Screw	9		
7	4700202028	Edge trim	2XL	A	

Comments for Page: Cab, front cover

(L)OCAL REMARKS

A | en\_US | L=0.473m

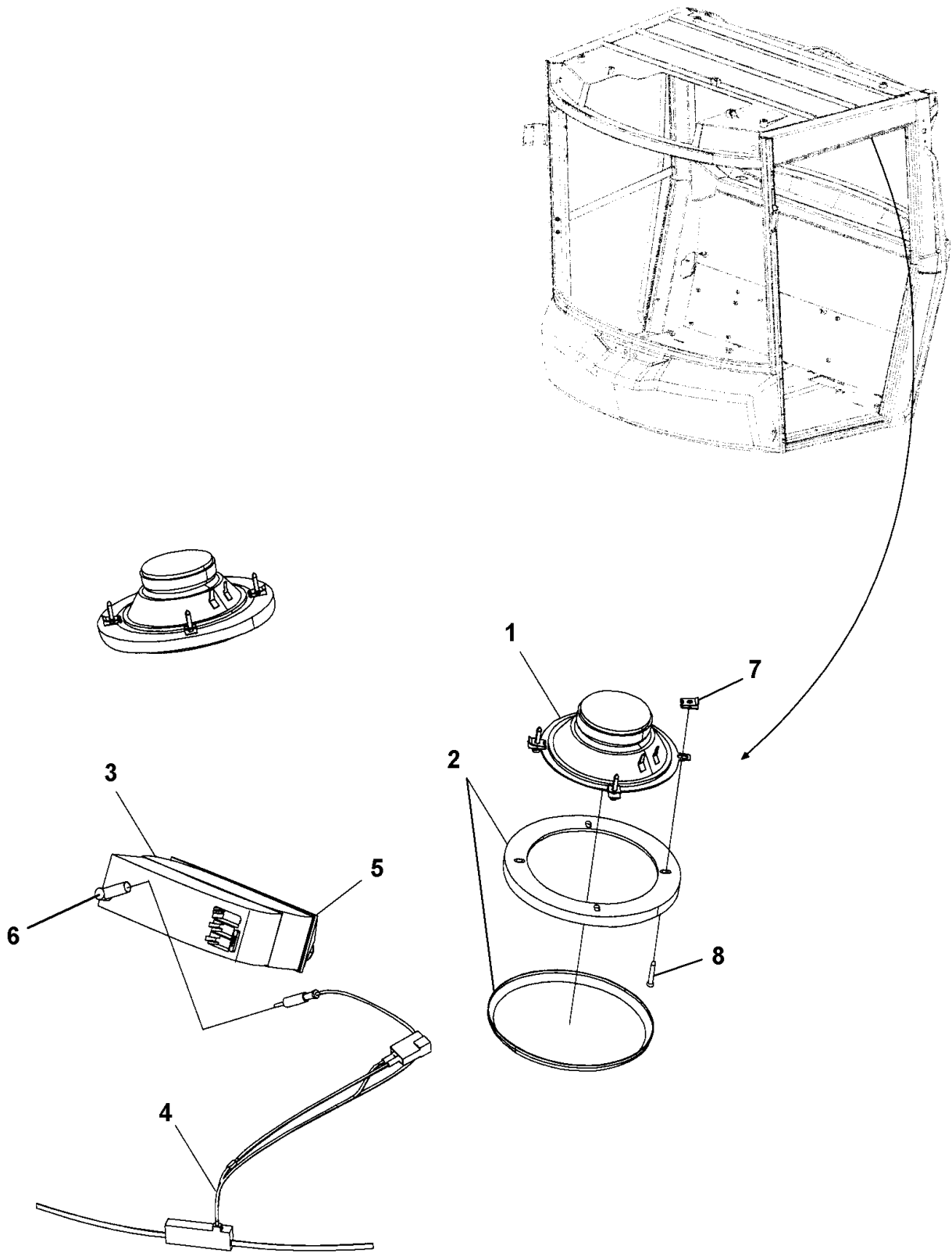
**4812112302 Cab, cpl Basic** Wiper switch, front





Item	Part No.	Name	Qty	L	SN INFO
1	4812115192	Switch	1		
2	4700921723	Plug	1		

**Car stereo module, option** Car stereo module, option

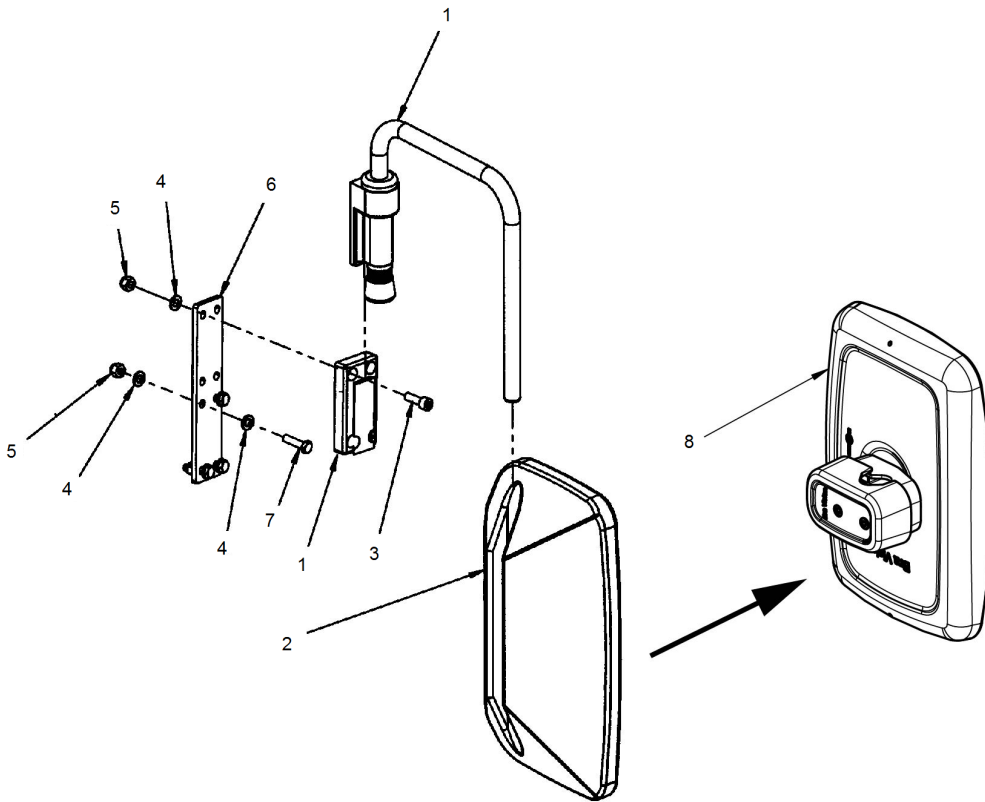


Refer to Parts Online for the most up to date information. The printed information might be outdated.

Wed Nov 21 11:45:56 UTC 2018

Item	Part No.	Name	Qty	L	SN INFO
1	4811000268	Loud speaker	2		
2	4811000269	Loud speaker cover	2		
3	4811000265	Car stereo	1		
4	4812114194	Antenna	1		
5	4812116986	Spacer frame	1		
6	4812119306	Antenna adapter	1		
7	4700791970	Speed nut	8		
8	4812119327	Tapping screw	8		

Rear view mirror Rear view mirror



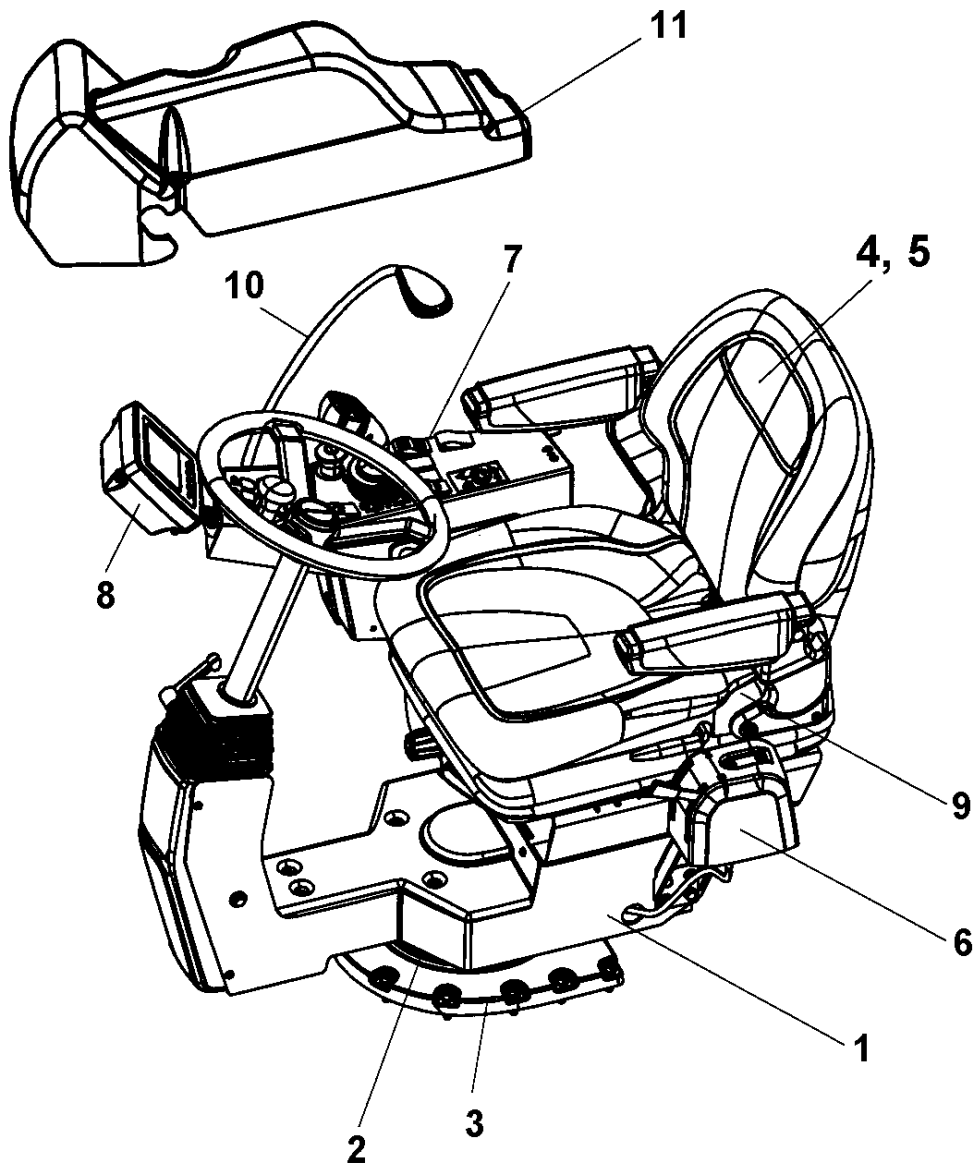
Item	Part No.	Name	Qty	L	SN INFO
1	4812110367	Bracket	1		
2	4700381943	Mirror	1		
2.1	4812161276	Mirror glass	1		
3	4700508019	Cylinder screw	4		
4	4700904229	Washer, 8.4x 6x1.5 mm 300HV	12		
5	4700586003	Lock nut M8	12		
6	4812117964	Bracket	1	A	
7	4700500022	Screw	4		
8	4812125407	Mirror	1		
8.1	-	Mirror glass	1		

Comments for Page: Rear view mirror

(L)OCAL REMARKS

A | en\_US | Not used on all models.

**Drivers seat** Drivers seat



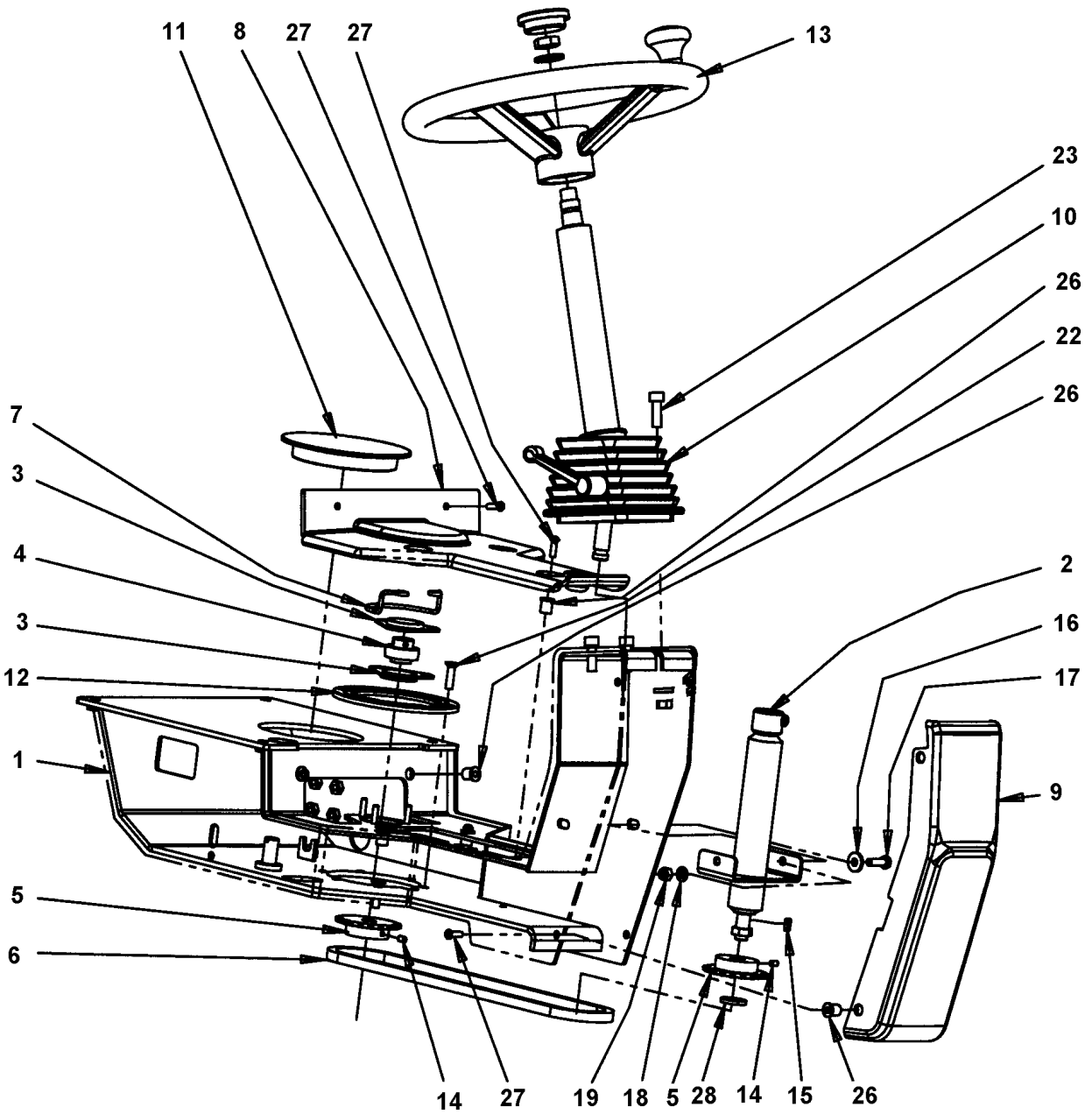
Item	Part No.	Name	Qty	L	SN INFO
1	-	Seat frame structure	1		
2	-	Seat frame adapter module, rotating	1		
2	-	Seat frame adapter module, fixed	1		
3	-	Floor cassette module	1		
4	-	Seat, fabric suspended	1		
5	-	Seat, galon suspended	1		
6	-	Control module	1		
7	-	Forward reverse control module	1		
8	-	Display unit	1		
9	-	Seat belt 2"	1		
9	-	Seat belt 3"	1	A	
9	-	Seat belt 2" with reminder	1	A	
9	-	Seat belt 3" with reminder	1	A	
10	-	Reading light	1		
11	-	Control panel cover	1		

Comments for Page: Drivers seat

(L)OCAL REMARKS

A | en\_US | Option.

**Drivers seat** Seat frame structure



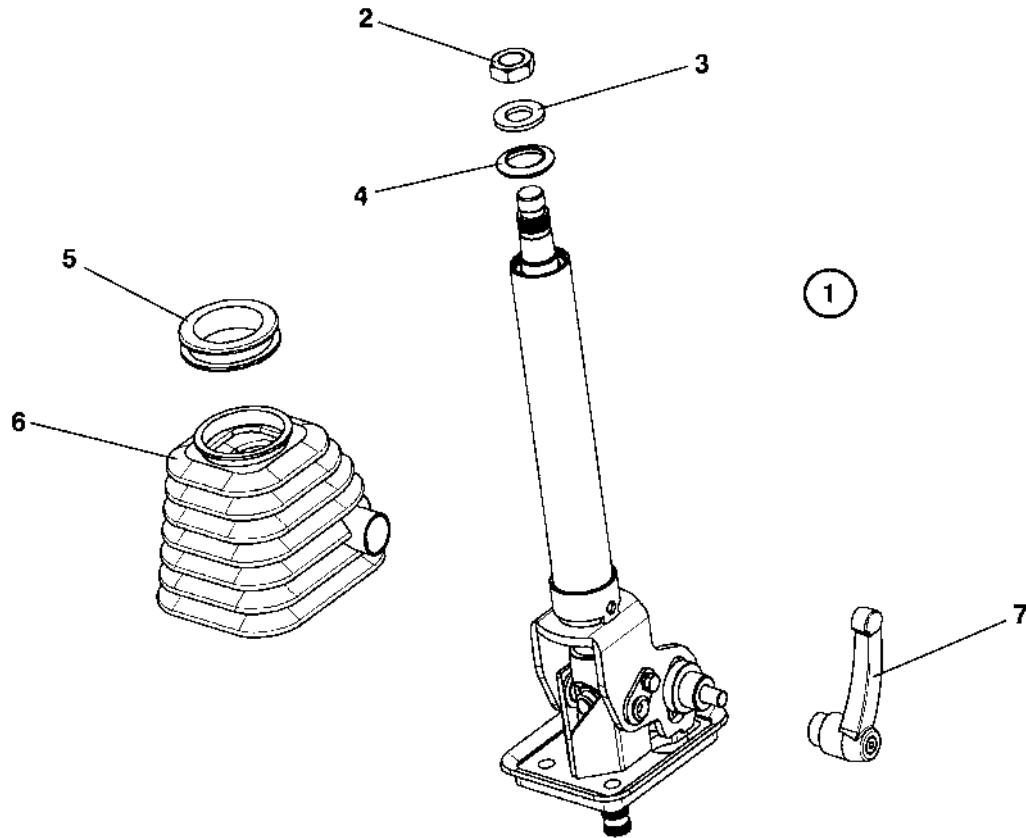
Refer to Parts Online for the most up to date information. The printed information might be outdated.

Wed Nov 21 11:45:57 UTC 2018



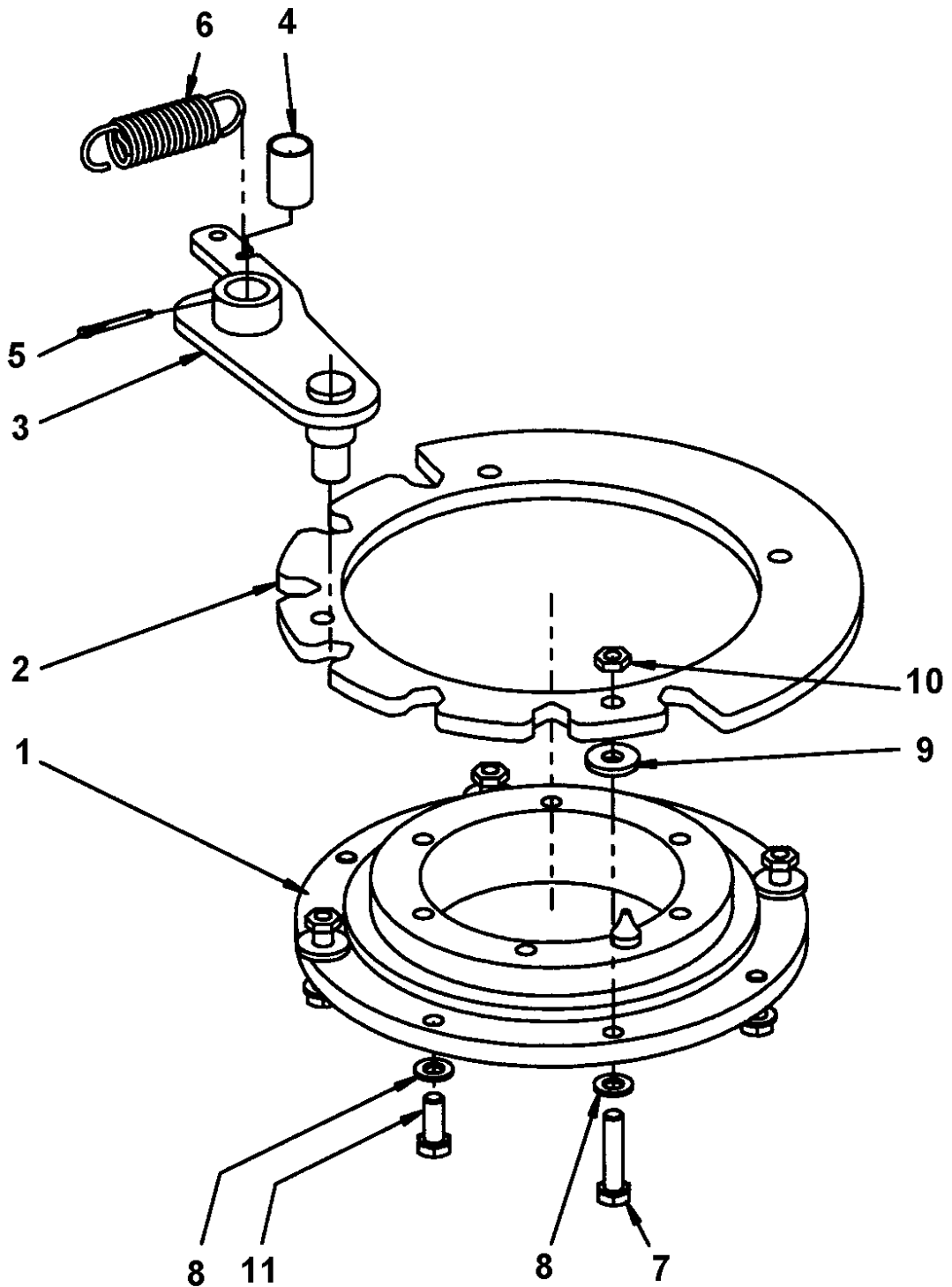
Item	Part No.	Name	Qty	L	SN INFO
1	4700395447	Seat frame	1		
2	4700359919	Shaft	1		
3	4700903917	Bearing outer	2		
4	4700903918	Bearing inner	1		
5	4700359916	Chain wheel	2		
6	4700379718	Chain and connecting link	1		
7	4700372672	Chain guard	1		
8	4700392839	Cover	1		
9	4700392840	Cover	1		
10	4700391163	Steering column	1		
11	4700359920	Plug	1		
12	4700372965	Lock ring	1		
13	4700372964	Steering wheel	1		
14	4700516040	Threaded pin	2		
15	4700350009	Flat key	1		
16	4700904640	Washer, 8.4x22x3 mm 300HV	2		
17	4700500021	Screw, M8x25 mm 8.8 A2K	2		
18	4700904229	Washer, 8.4x 6x1.5 mm 300HV	2		
19	4700586003	Lock nut M8	2		
22	4700902520	Screw	6		
23	4700508029	Cylinder screw	3		
26	4700792539	Rubber nut	10		
27	4700791524	Screw, M6 x 20 mm A2-70	10		
28	4700904214	Washer 15x30x4 300 HV	1		

**Drivers seat** 4700391163 Steering column



Item	Part No.	Name	Qty	L	SN INFO
1	4700391163	Steering column			
2	4700945632	Nut	1		
3	4700945633	Washer	1		
4	4700945634	Rubber cap	1		
5	4700945635	Bellows ring	1		
6	4700945636	Bellows	1		
7	4700945637	Locking handle	1		

**Drivers seat** Seat frame adapter module, rotating

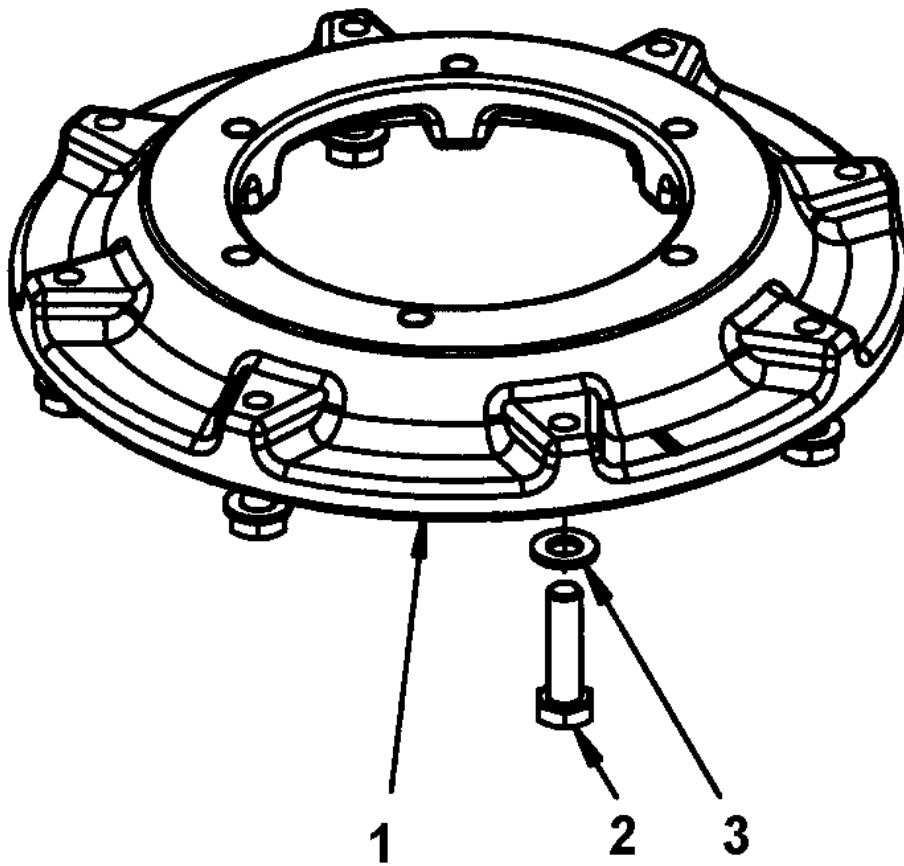


Refer to Parts Online for the most up to date information. The printed information might be outdated.

Wed Nov 21 11:45:57 UTC 2018

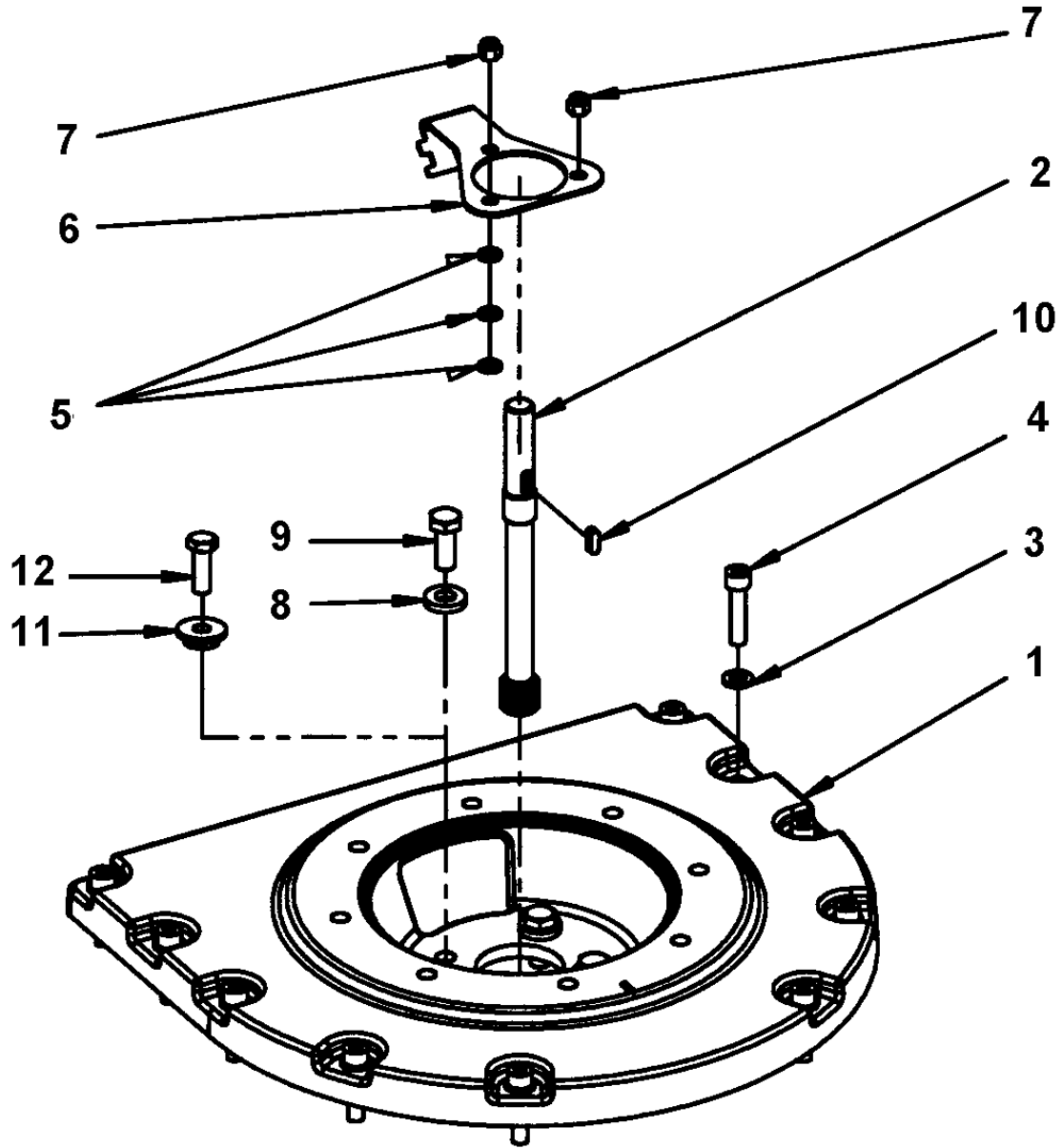
Item	Part No.	Name	Qty	L	SN INFO
1	4700359125	Ball bearing	1		
2	4700379728	Locking disc	1		
3	4812119788	Coupling link	1		
4	4700359819	Bushing	1		
5	4700630008	Pin	1		
6	4700359043	Spring	1		
7	4700792678	Screw	4		
8	4700904229	Washer, 8.4x 6x1.5 mm 300HV	8		
9	4700904640	Washer, 8.4x22x3 mm 300HV	4		
10	4700573008	Nut M8	4		
11	4700947679	Hexagon head screw	4		

**Drivers seat** Seat frame adapter module, fixed



Item	Part No.	Name	Qty	L	SN INFO
1	4812110891	Spacer	1		
2	4700500022	Screw	8		
3	4700904229	Washer, 8.4x 6x1.5 mm 300HV	8		

**Drivers seat** Floor cassette module



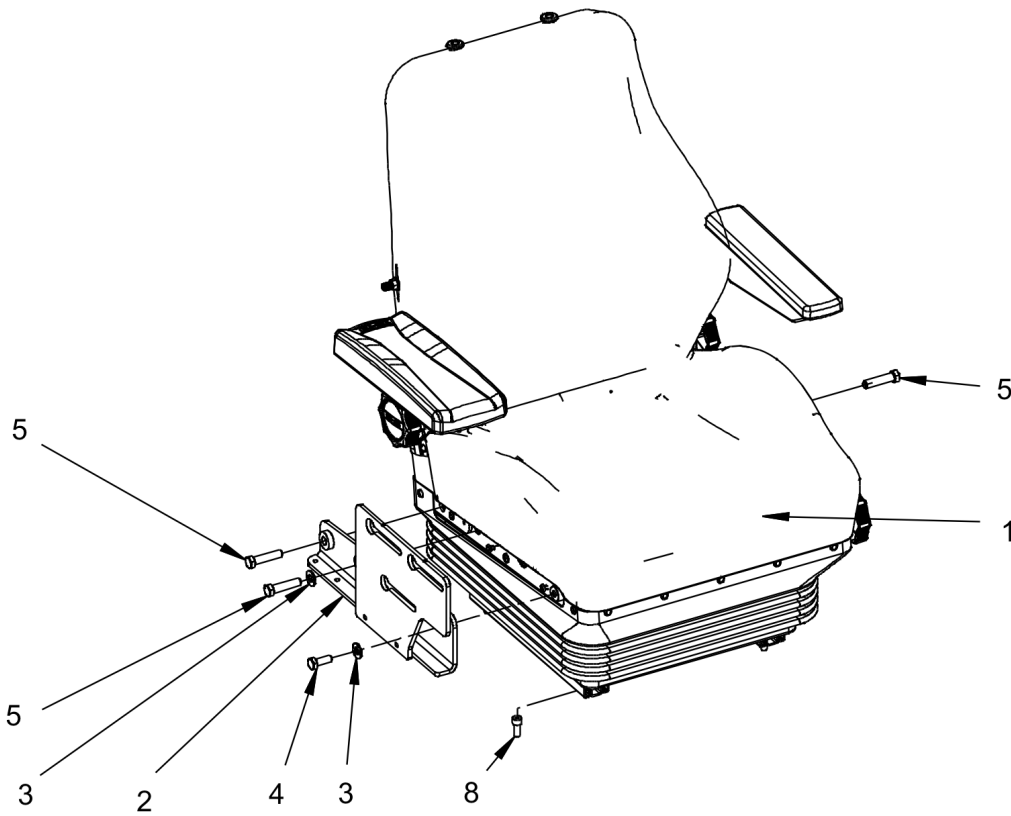
Refer to Parts Online for the most up to date information. The printed information might be outdated.

Wed Nov 21 11:45:57 UTC 2018



Item	Part No.	Name	Qty	L	SN INFO
1	4812111294	Adapter	1		
2	4812110885	Splined shaft	1		
3	4700904229	Washer, 8.4x 6x1.5 mm 300HV	10		
4	4700508027	Screw	10		
5	4700904228	Washer 6,4x12x1,5	3		
6	4812114172	Bracket	1		
7	4700586002	Lock nut M6 -8	3		
8	4700904557	Washer, 10.5x22x4 mm 300 HV	4		
9	4700500028	Hex Head screw	4		
10	4700350009	Flat key	1		
11	4812113478	Washer	4		
12	4700500029	Steel plain washer	4		

**Seats** Seat comfort, fabric suspended



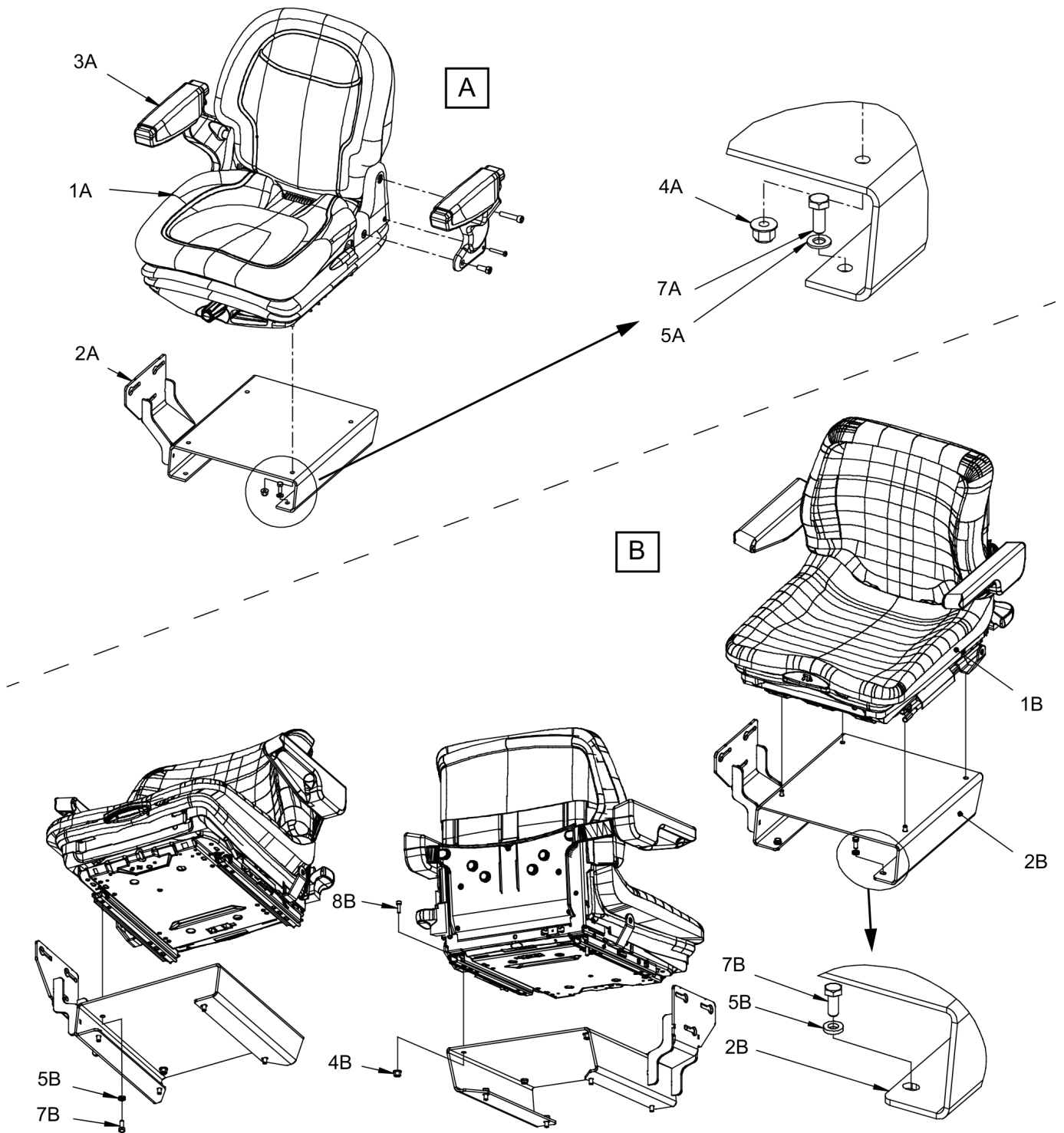
Item	Part No.	Name	Qty	L	SN INFO
1	4812116357	Seat, fabric suspended	1	A	
1	4700937892	Seat switch	1		
1	4700937620	Arm rest, right	1		
1	4812158367	Arm rest wide, right	1		
1	4700937621	Arm rest, left	1		
2	4812119295	Control bracket	1		
3	4700904230	Steel plain washer	2		
4	4700500028	Hex Head screw	1		
5	4700792527	Screw	3		
8	4700508092	Hex. socket screw	4		

Comments for Page: Seat comfort, fabric suspended

(L)OCAL REMARKS

A | en\_US | Without seat belt.

**Seats** Seat, galon suspended



Refer to Parts Online for the most up to date information. The printed information might be outdated.

Wed Nov 21 11:45:58 UTC 2018

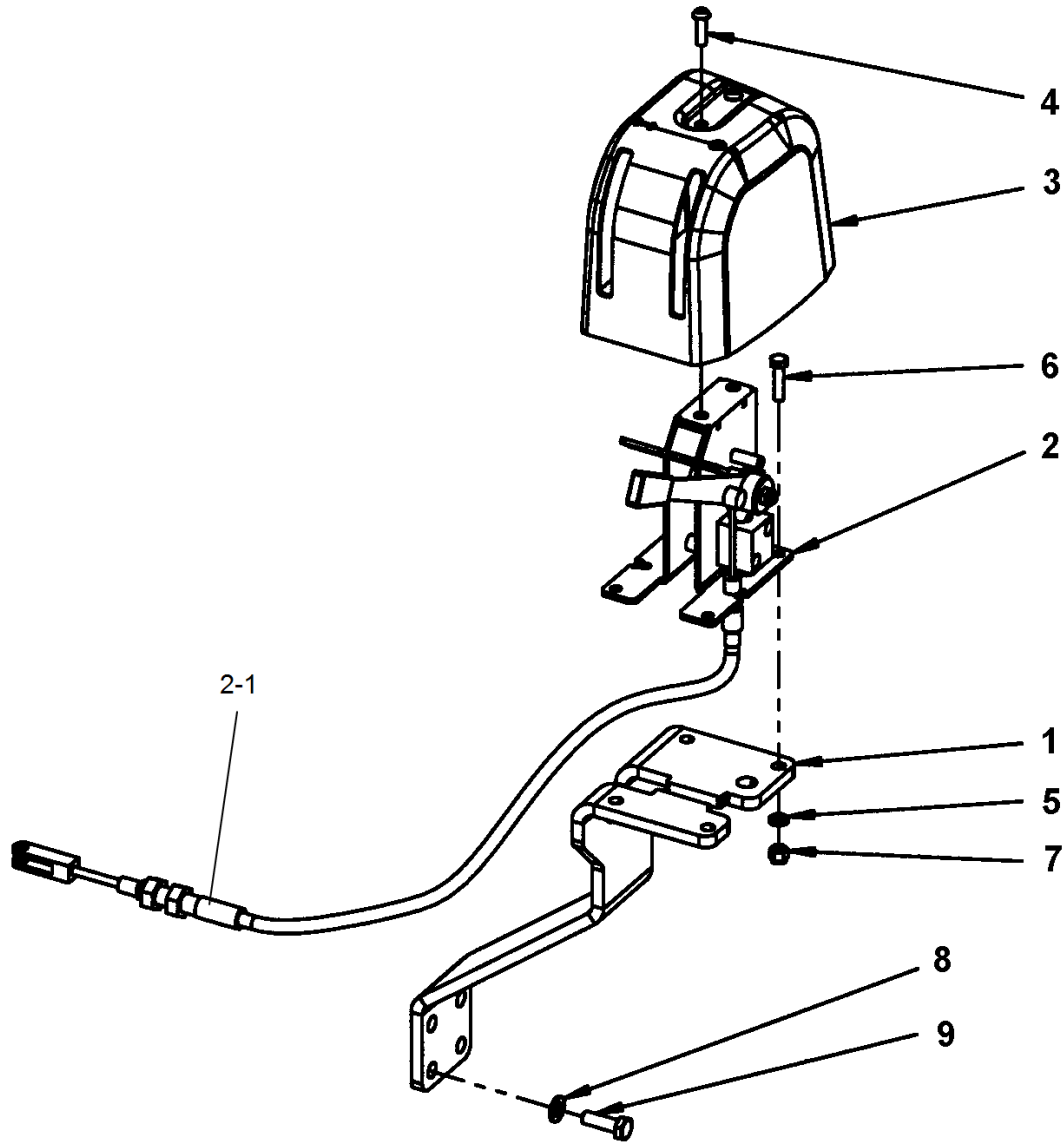
Item	Part No.	Name	Qty	L	SN INFO
1A	4700377518	Seat, galon suspended	1		
-	4700945622	Seat switch	1		
-	4700945660	Seat cushion	1		
-	4700945661	Adjuster kit, slide	1	A	
2A	4700390561	Seat frame	1		
3A	4700390963	Arm rest kit	1		
4A	4700902286	Lock nut, M8x1.25 mm A2K	4		
5A	4700904229	Washer, 8.4x 6x1.5 mm 300HV	4		
7A	4700500053	Screw, M8x20 mm 8.8 A2K	4		
1B	4700370234	Seat, galon suspended	1		
-	4700909535	Sliding rail with handle	1		
-	4700909536	Sliding rail	1		
-	4700936283	Seat switch	1		
-	4700372696	Arm rest, left	1		
-	4700372697	Arm rest, right	1		
2B	4812126698	Seat frame	1		
4B	4700902286	Lock nut, M8x1.25 mm A2K	2		
5B	4700904556	Steel plain washer 8,4x16x3,0	6		
7B	4700500053	Screw, M8x20 mm 8.8 A2K	6		
8B	4700508025	Screw, M6x20 mm 8.8 A2K	2		

Comments for Page: Seat, galon suspended

(L)OCAL REMARKS

A | en\_US | Left & right sliding rail

**Drivers seat** Control module



Item	Part No.	Name	Qty	L	SN INFO
1	4812118312	Bracket	1		
2	4812111216	Control, cpl	1		
2-1	4812121331	Cable	1		
3	4700392965	Control cover	1		
4	4700791524	Screw, M6 x 20 mm A2-70	2		
5	4700904228	Washer 6,4x12x1,5	4		
6	4700500075	Screw, M6-1,0x25 mm 8.8	4		
7	4700586002	Lock nut M6 -8	4		
8	4700904229	Washer, 8.4x 6x1.5 mm 300HV	4		
9	4700500021	Screw, M8x25 mm 8.8 A2K	4		

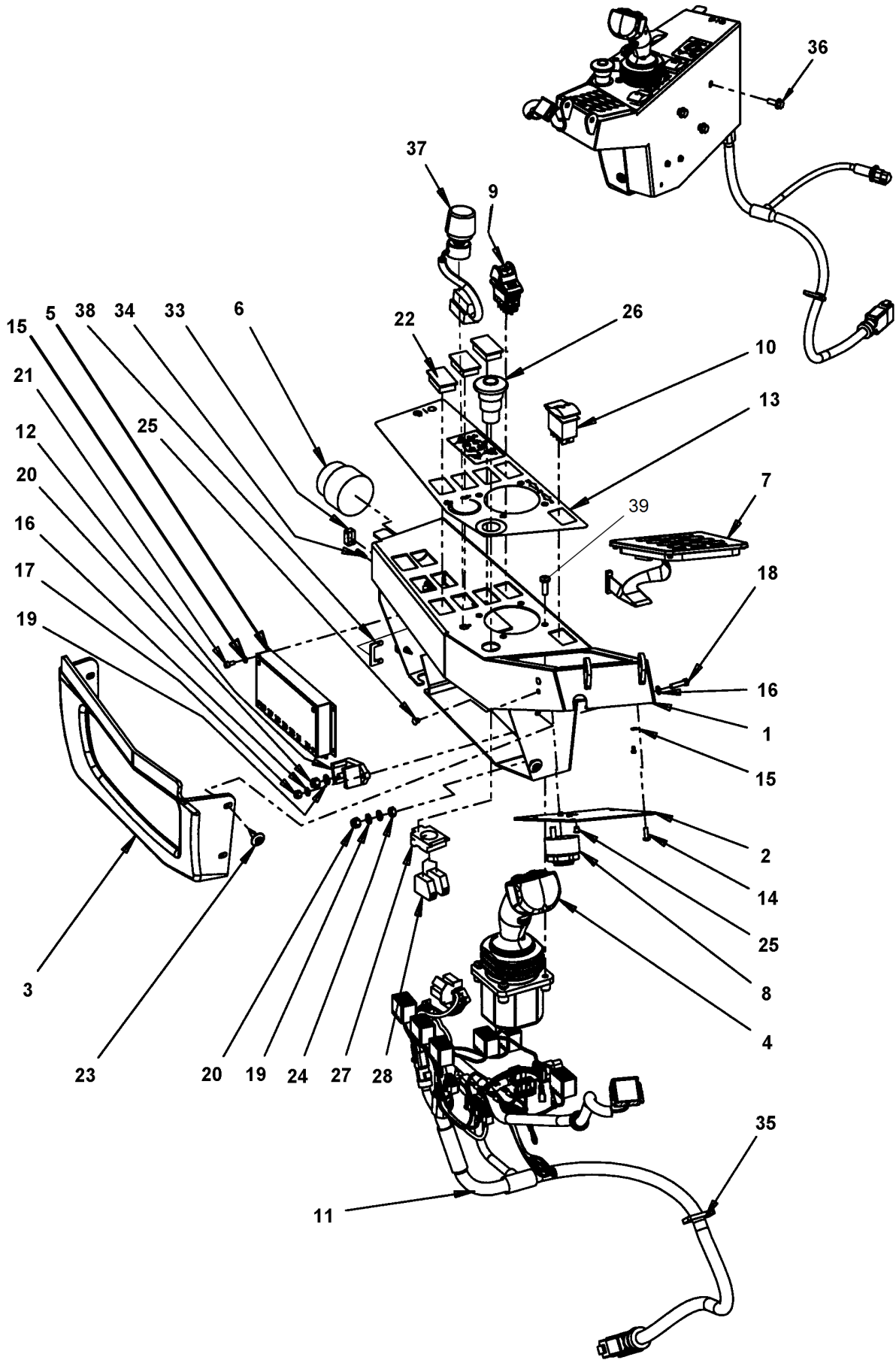




Item	Part No.	Name	Qty	L	SN INFO
1	4812110886	Control box	1		
2	4700391396	Cover	1		
3	4700396662	Cover	1		
4	4700391420	Control handle, 4 switches	1		To A019243, excl. 18998, 19157, 19159, 19241
4	4812126248	Control handle, 4 switches	1		From A019244, incl. 18998, 19157, 19159, 19241
5	4812113875	Control unit, I/O	1		
6	4812110901	Ignition switch	1		
6	4700940451	Ignition key	1		
7	4812114803	Membrane switch panel	1		
8	4700385599	Buzzer	1		
9	4812118697	Switch, parking brake	1		
10	4700792414	Switch, RPM	1		
10	4812117490	Switch, green ECO	1		
11	4812118754	Cable harness	1		
12	4700392930	Junction box	1		
13	4812111780	Decal	1		
14	4812119227	Thread rolling screw	4		
15	4700904698	Plain washer	8		
16	4700904281	Washer, 5,3x10x1 300HV	4		
17	4700586001	Lock nut	2		
18	4700500060	Screw M5-0,8x20 8.8	2		
19	4700904228	Washer 6,4x12x1,5	3		
20	4700586002	Lock nut M6 -8	2		
21	4700508017	Cylinder screw	4		
22	4700791588	Panel plug	3		
23	4700395785	Expansion rivet	4		
24	4700570004	Hexagon nut M6	1		
25	4700902804	Plug	5		
26	4700791739	Emergency stop	1		
27	4700791733	Fixing collar	1		
28	4700791723	Connector	2		
33	4812114214	Cover	1		
34	4812114213	Lock screw	2		
35	4700313041	Cable ties	N		
36	4700500505	Screw, M8x20 mm 8.8 A2K	3		
37	4700388737	Potentiometer	1		
37	4700939826	Knob	1		

Refer to Parts Online for the most up to date information. The printed information might be outdated.

Wed Nov 21 11:45:59 UTC 2018

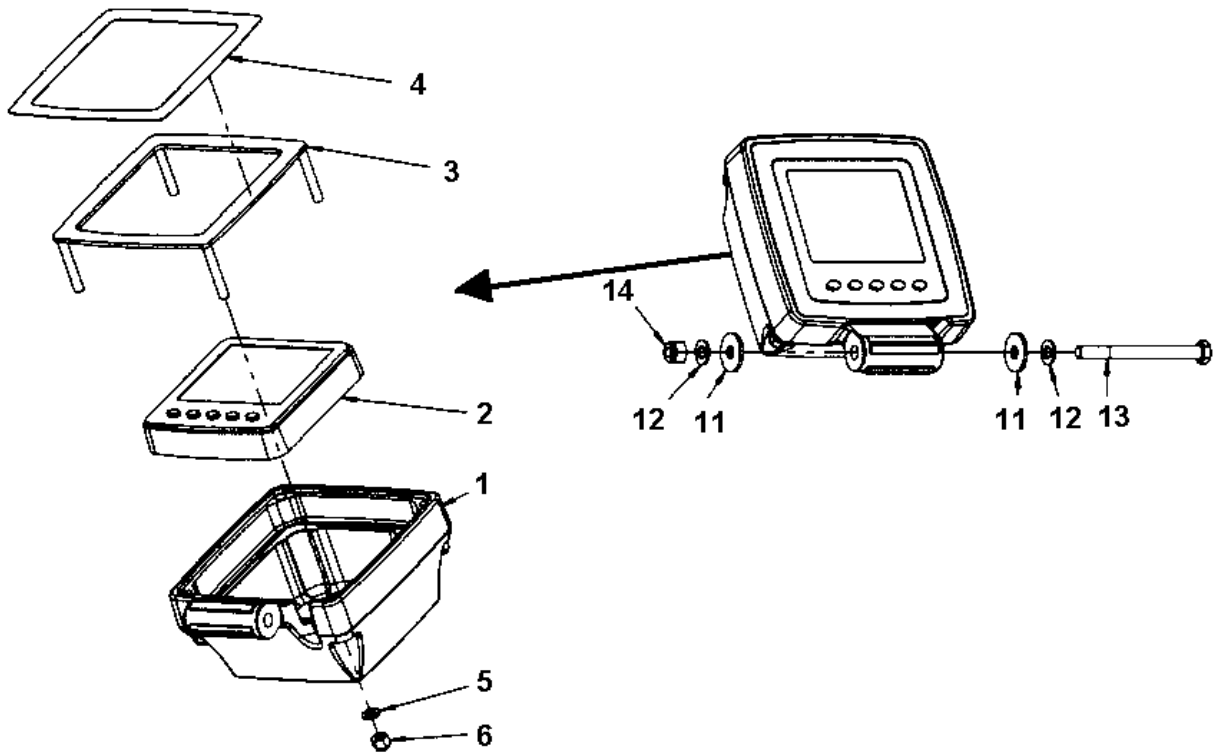


Refer to Parts Online for the most up to date information. The printed information might be outdated.

Wed Nov 21 11:46:00 UTC 2018

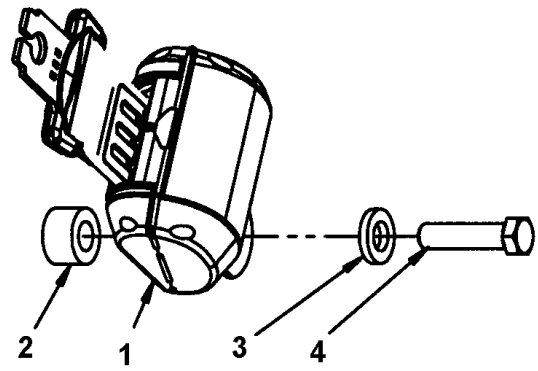
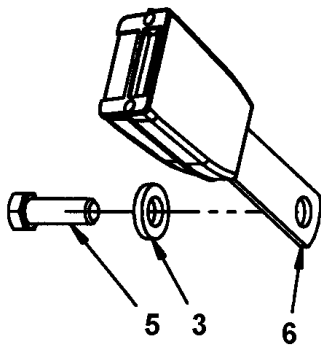
Item	Part No.	Name	Qty	L	SN INFO
38	4812119317	Holder	1		
39	4700904650	Button head socket screw, M6x12	4		

**Drivers seat** Display unit



Item	Part No.	Name	Qty	L	SN INFO
1	4700392717	Display holder	1		
2	4812113786	Display unit	1		
3	4700392719	Cover	1		
4	4700393094	Decal	1		
5	4700904228	Washer 6,4x12x1,5	4		
6	4700586002	Lock nut M6 -8	4		
11	4700903662	Washer	2		
12	4700606004	Plastic washer	2		
13	4700500115	Screw	1		
14	4700586003	Lock nut M8	1		

**Seat belt** Seat belt 2"



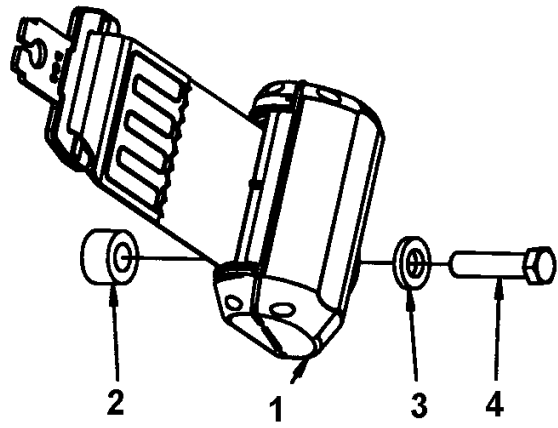
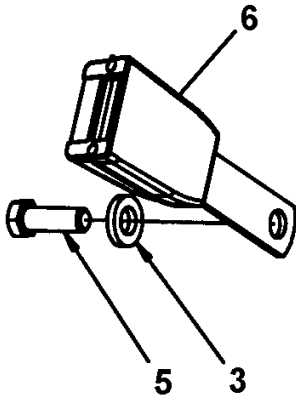
Item	Part No.	Name	Qty	L	SN INFO
1	4812117922	Seat belt 2"	1		
2	4700791572	Spacer washer	1		
3	4700904703	Plain washer 13x24x4 mm	4		
4	4700792527	Screw	1	A	
5	4700928347	Hexagon screw	2	A	
6	4812117924	Buckle	1		

Comments for Page: Seat belt 2"

(L)OCAL REMARKS

A | en\_US | Used with seat 4700377518.

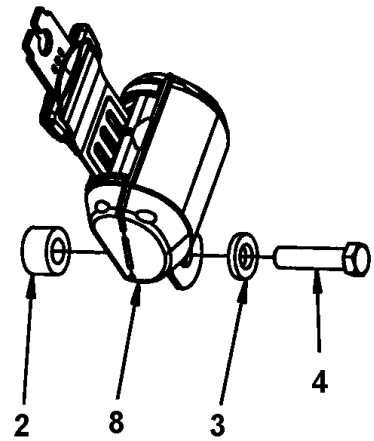
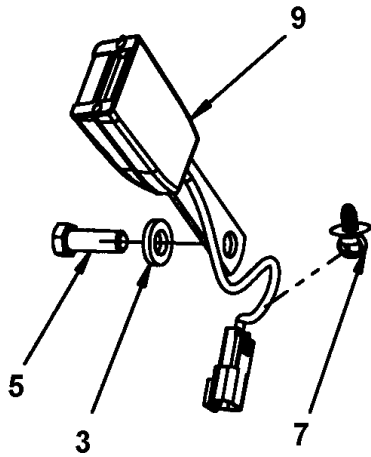
**Seat belt** Seat belt 3"





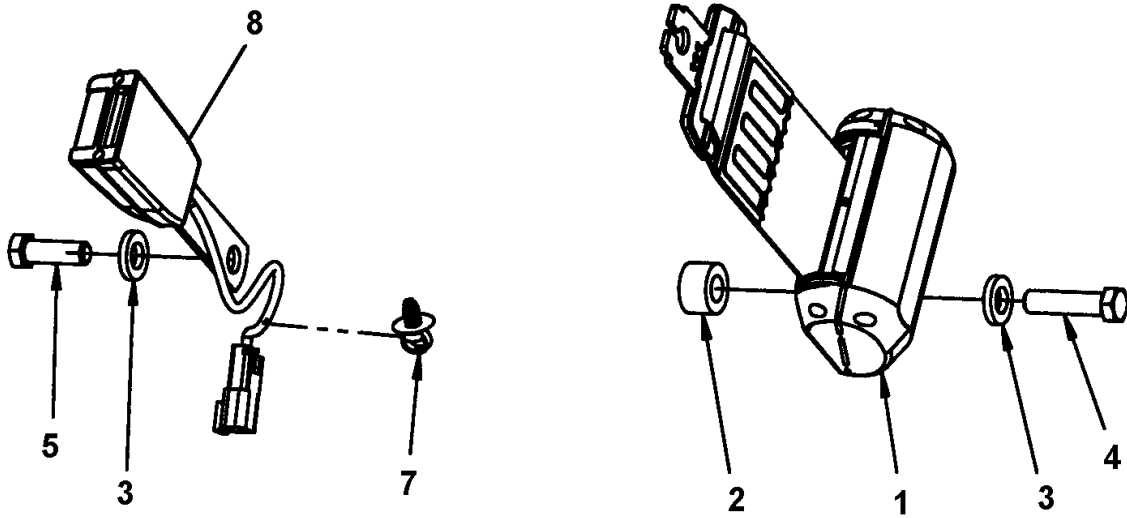
Item	Part No.	Name	Qty	L	SN INFO
1	4812118816	Seat belt 3"	1		
2	4700791572	Spacer washer	1		
3	4700904703	Plain washer 13x24x4 mm	4		
4	4700792527	Screw	1		
5	4700928347	Hexagon screw	2		
6	4812117924	Buckle	1		

**Seat belt** Seat belt 2" with reminder



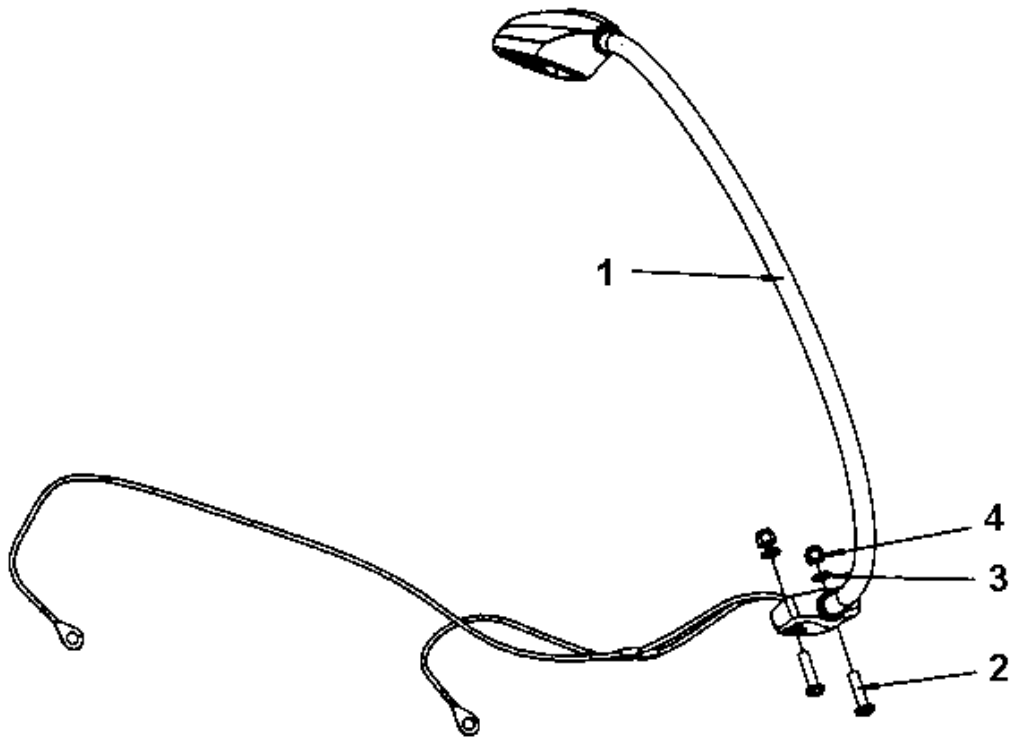
Item	Part No.	Name	Qty	L	SN INFO
2	4700791572	Spacer washer	1		
3	4700904703	Plain washer 13x24x4 mm	4		
4	4700792527	Screw	1		
5	4700928347	Hexagon screw	2		
7	4700792441	Cable tie with holder	1		
8	4812117922	Seat belt 2"	1		
9	4812117925	Buckle with reminder	1		

**Seat belt** Seat belt 3" with reminder



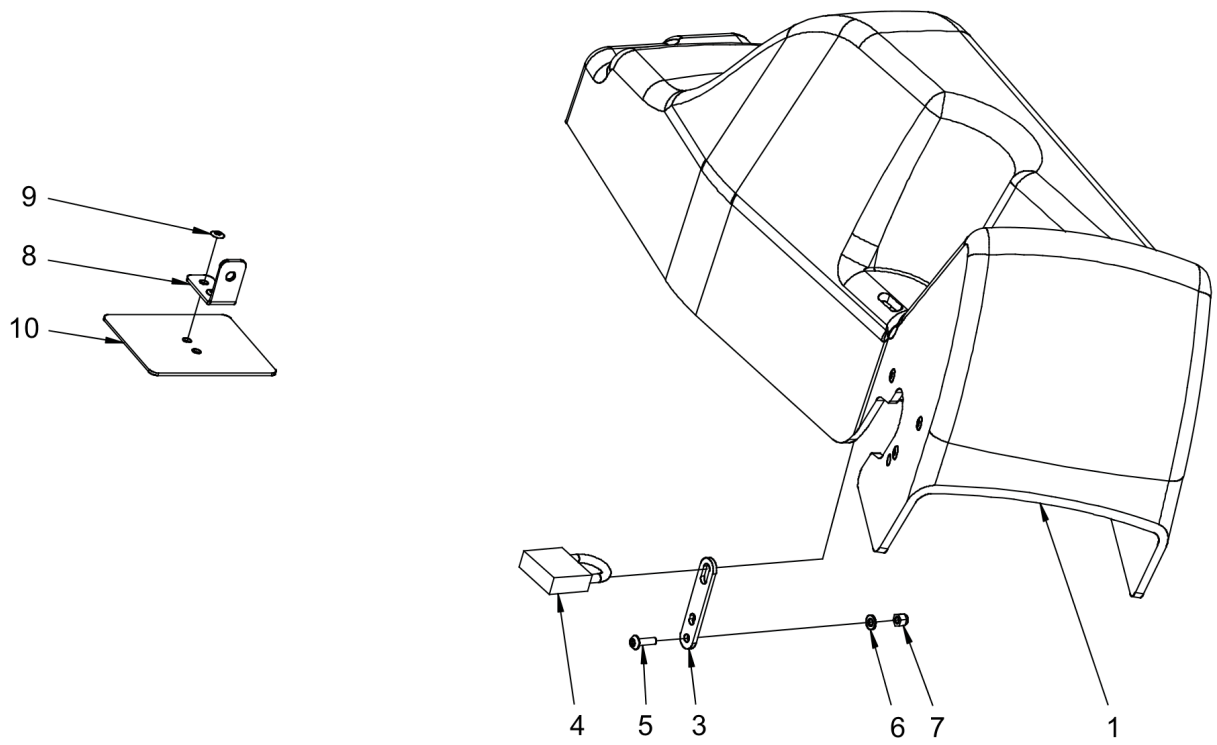
Item	Part No.	Name	Qty	L	SN INFO
1	4812118816	Seat belt 3"	1		
2	4700791572	Spacer washer	1		
3	4700904703	Plain washer 13x24x4 mm	4		
4	4700792527	Screw	1		
5	4700928347	Hexagon screw	2		
7	4700792441	Cable tie with holder	1		
8	4812117925	Buckle with reminder	1		

**Drivers seat** Reading light



Item	Part No.	Name	Qty	L	SN INFO
1	4700397604	Reading lamp	1		
2	4700791421	Machine screw	2		
3	4700904281	Washer, 5,3x10x1 300HV	2		
4	4700586001	Lock nut	2		

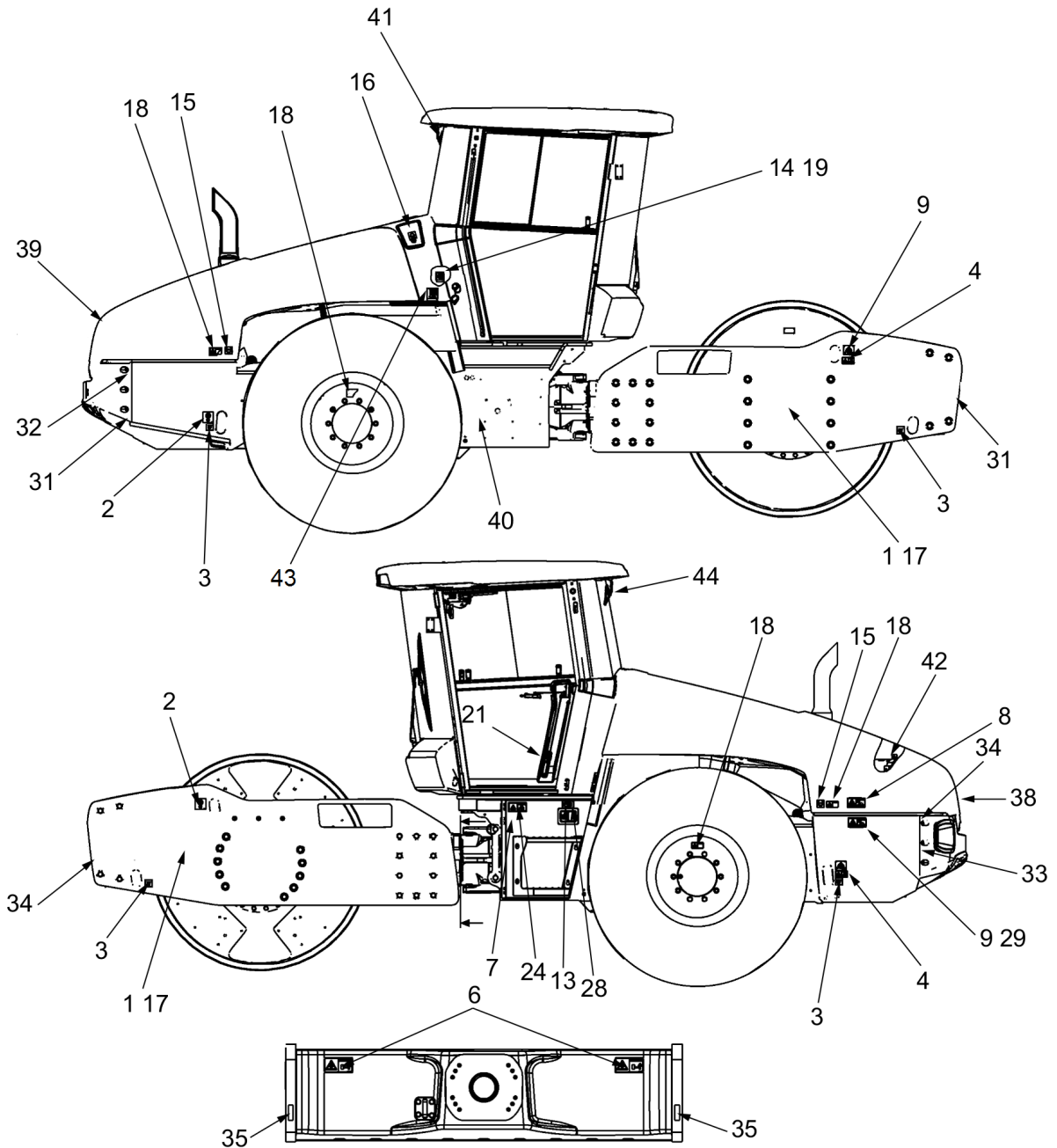
**Drivers seat** Control panel cover





Item	Part No.	Name	Qty	L	SN INFO
1	4812126260	Instrument panel cover	1		
3	4700387545	Latch	1		
4	4700358881	Pad lock	1		
5	4700904653	Screw M5x16 A2-70	2		
6	4700904281	Washer, 5,3x10x1 300HV	4		
7	4700586001	Lock nut	2		
8	4700396670	Bracket	1		
9	4700904619	Blind rivet	2		
10	4812126261	Support plate	1		

Decals Decals



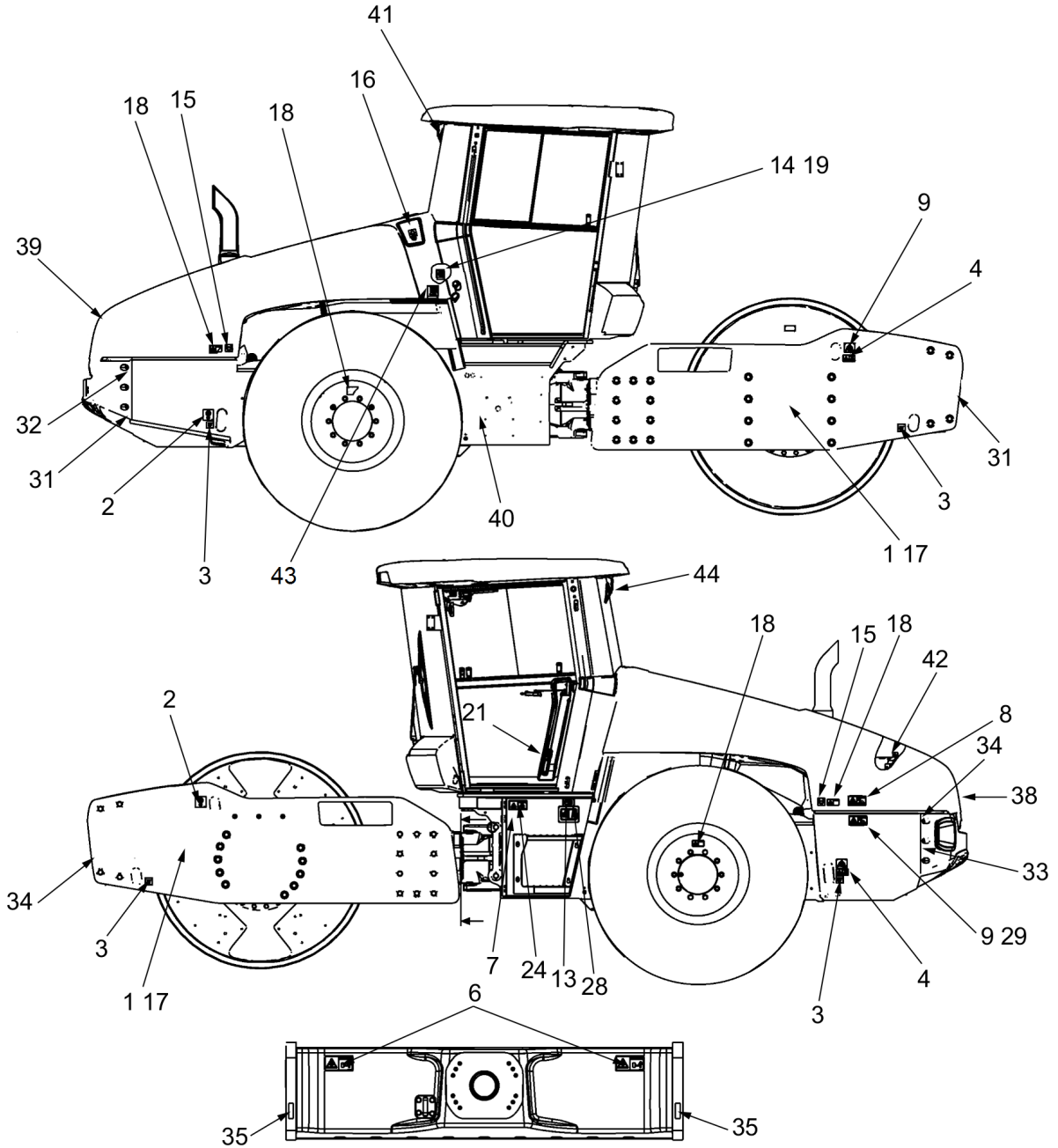
Refer to Parts Online for the most up to date information. The printed information might be outdated.

Wed Nov 21 11:46:01 UTC 2018

Item	Part No.	Name	Qty	L	SN INFO
1		Decal "COMPACTING ROCKS" Right	1		
<p>Comments for Part Num. 4812120100</p> <p>No longer available, update the machine on both sides with new model codes in Black. For part number see Parts list.</p> <p>If yellow colour is needed, available spray has p/n 4812007591</p> <p>Kits with plain Dynapac decals are also available, see separate page in Parts book.</p>					
1		Decal "COMPACTING ROCKS" Left	1		
<p>Comments for Part Num. 4812120101</p> <p>No longer available, update the machine on both sides with new model codes in Black. For part number see Parts list.</p> <p>If yellow colour is needed, available spray has p/n 4812007591</p> <p>Kits with plain Dynapac decals are also available, see separate page in Parts book.</p>					
2	4700588176	Decal "LIFT POINT"	2		
3	4700382751	Decal "SECURING POINT/TIE DOWN"	2		
4	4700908229	Safety decal	2		
6	4700903422	Safety decal "CRUSH AREA"	2		
7	4700903459	Decal "SAFETY"	1		
8	4700904895	Safety decal "Brake release"	1		
9	4700904870	Lifting data plate	2		
13	4700904835	Decal "BATTERY POWER"	1		
14	4700272373	Decal, hydraulic oil level	1		
15	4700385080	Decal "TYRE PRESSURE" 150-170kPA/21-24psi	2		
16	4700388449	Decal "ENGINE COOLANT FILL"	1		
17	4812120437	Decal "MODEL CODE" CA2500, Black	2		
18	4700903985	Decal "SAFETY"	4		
19	4700272372	Decal "HYDRAULIC OIL"	1		
19	4700792772	Decal "BIO HYDRAULIC OIL" PANOLIN	1		
20	4700991658	Decal "FUEL"	1	A	
20	4811000345	Decal "ULTRA LOW SULFUR FUEL ONLY"	1	B	
21	4700903425	Safety decal "READ SAFETY INSTRUCTIONS"	1		
23	-	Product identification plate	1		
24	4700791273	Decal "Sound power level" 103 dB	1		
24	4700791274	Decal "Sound power level" 104 dB	1		
28	4700393959	Decal "Battery voltage 24V"	1		
29	4700624005	Blind rivet 3,2x6,1	8		

Refer to Parts Online for the most up to date information. The printed information might be outdated.

Wed Nov 21 11:46:01 UTC 2018



Refer to Parts Online for the most up to date information. The printed information might be outdated.

Wed Nov 21 11:46:02 UTC 2018

Item	Part No.	Name	Qty	L	SN INFO
31	4700904390	Decal "Risk location"	2		
32	4700904389	Decal "Risk location"	1		
33	4700904391	Decal "Risk location"	2		
34	4700904388	Decal "Risk location"	1		
35	4700377742	Reflector, red	2		
38	4700903423	Safety label, Rotating engine components	1		
39	4700903424	Safety label, hot surfaces	1		
40	4811000443	Decal, Draining fuel	1		
41	4700904165	Safety decal "Toxic gases"	1		
42	4700791642	Decal "WARNING" Use of starting fluid prohib.	1		
43	4811000344	Decal, low sulfur	1	B	
44	4700903590	Decal emergency exit	1		

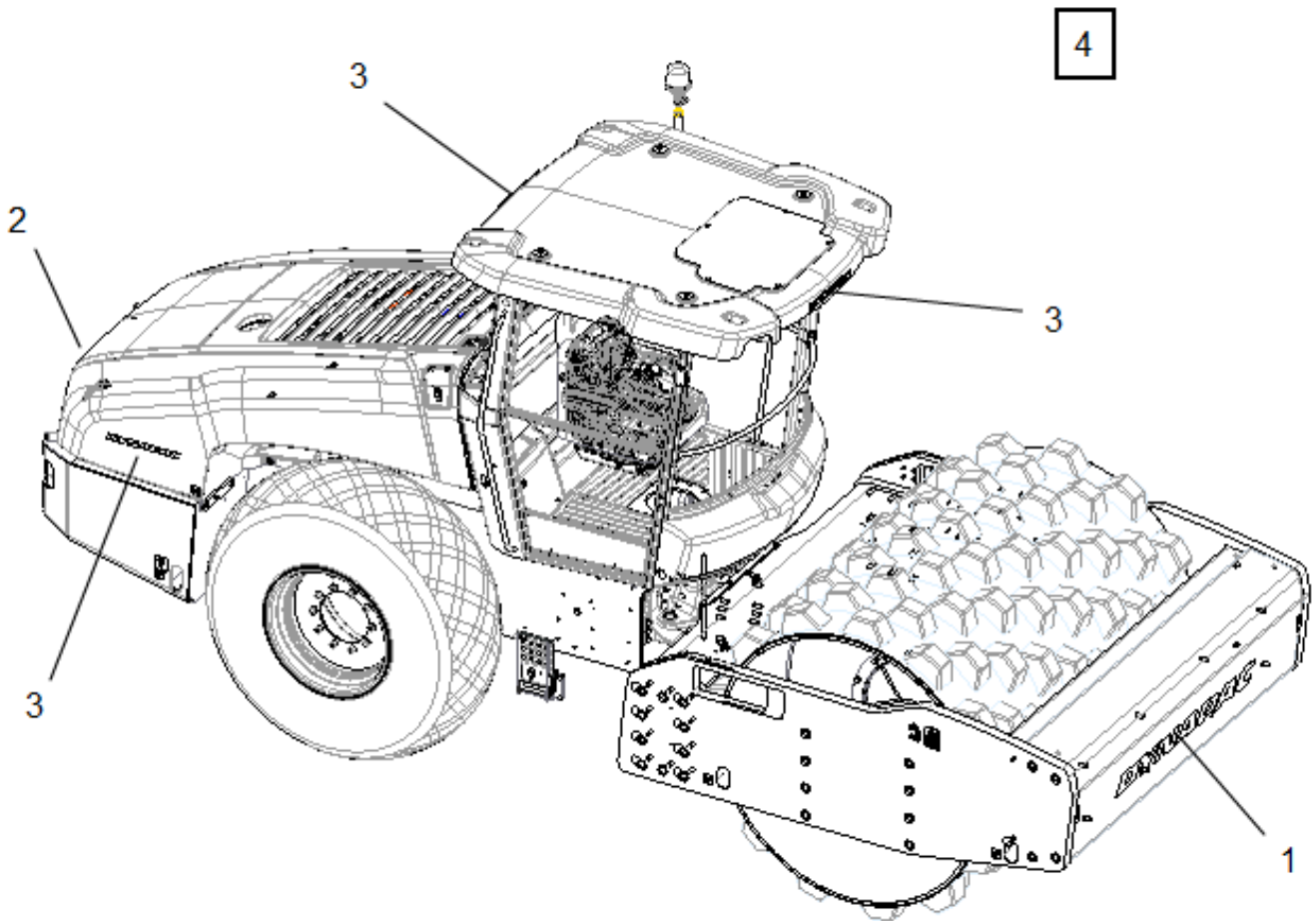
Comments for Page: Decals

(L)OCAL REMARKS

A | (IIIA/T3)

B | (IIIB/T4i)

**Decals** Plain Dynapac decals, kit

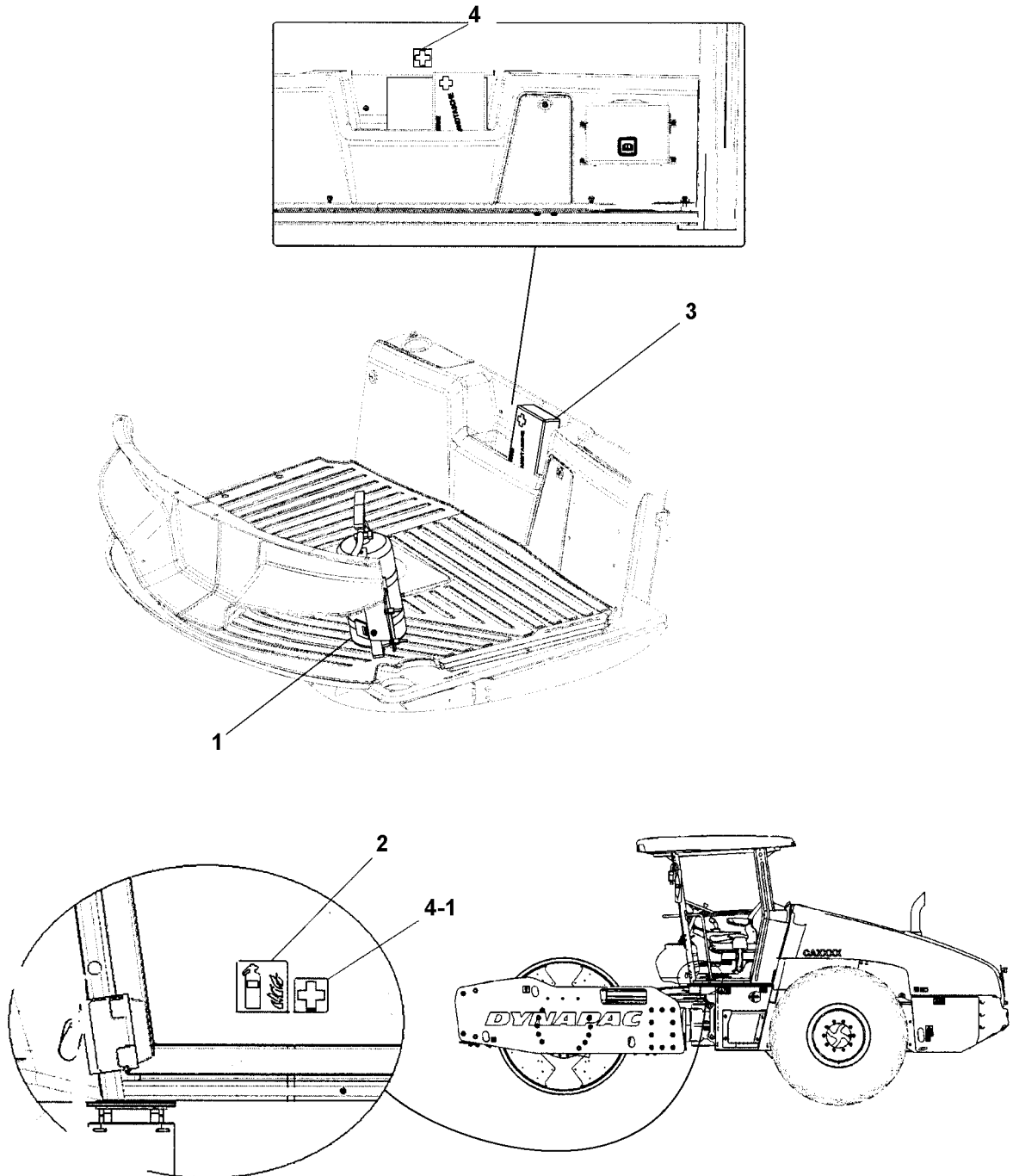


Refer to Parts Online for the most up to date information. The printed information might be outdated.

Wed Nov 21 11:46:02 UTC 2018

Item	Part No.	Name	Qty	L	SN INFO
0	4812127932	Plain Dynapac decals, kit			
1	4812127909	Decal "DYNAPAC", black 1350	1		
2	4700904096	Decal "DYNAPAC", white 420	1		
3	4812127820	Decal "DYNAPAC", black 420	4		
4	4812128222	Drawing for instruction			

Fire extinguisher/First Aid Cushion Fire extinguisher/First Aid Cushion



Refer to Parts Online for the most up to date information. The printed information might be outdated.

Wed Nov 21 11:46:02 UTC 2018



Item	Part No.	Name	Qty	L	SN INFO
1	-	Fire extinguisher	1		
2	4700792634	Decal fire extinguisher	1	A	
3	4700394395	First aid cushion	1		
4	4700902509	Decal	1	B	
4-1	4700902509	Decal	1	A	

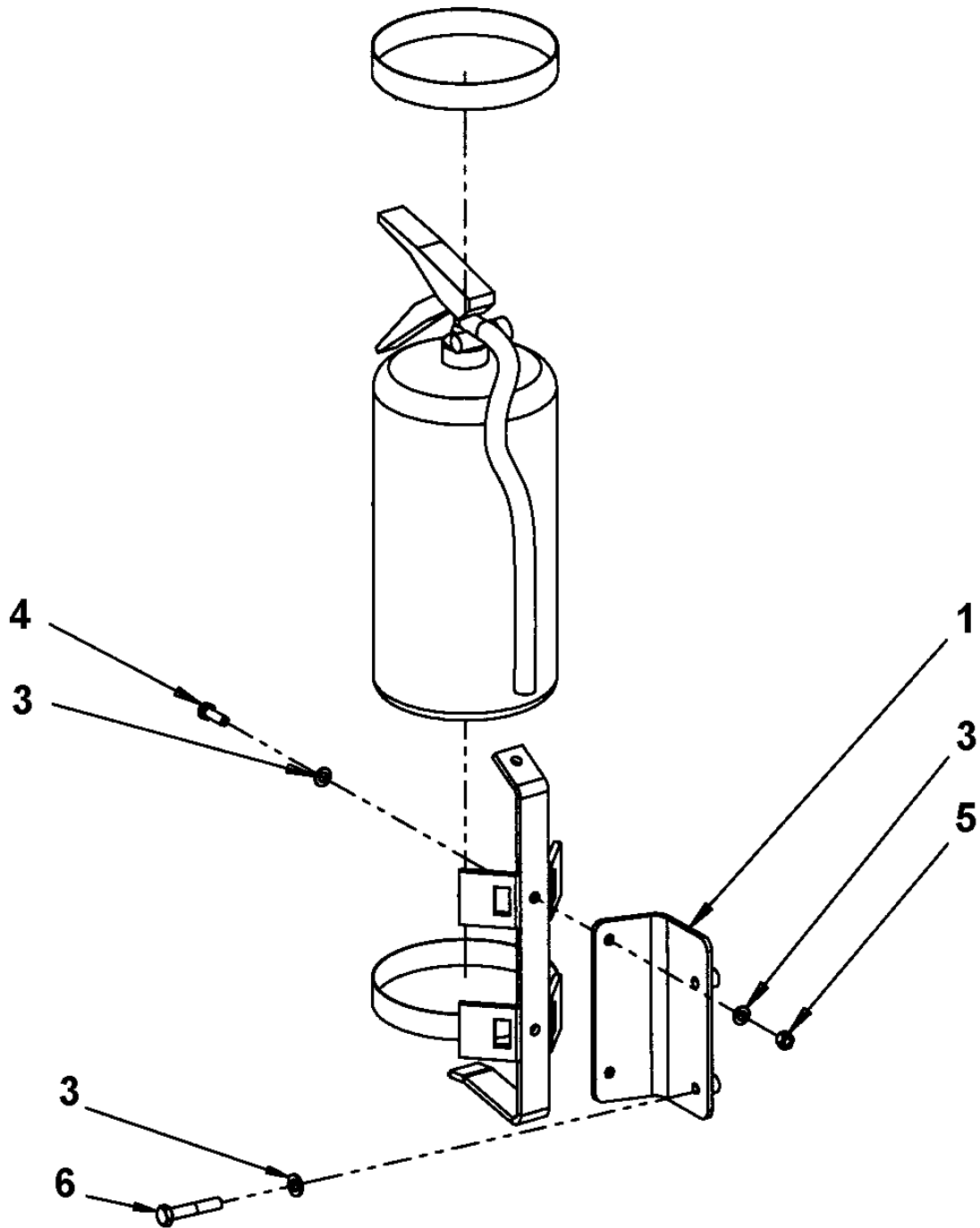
Comments for Page: Fire extinguisher/First Aid Cushion

(L)OCAL REMARKS

A | en\_US | Location on cab.

B | en\_US | Location on platform.

**Fire extinguisher/First Aid Cushion** Fire extinguisher

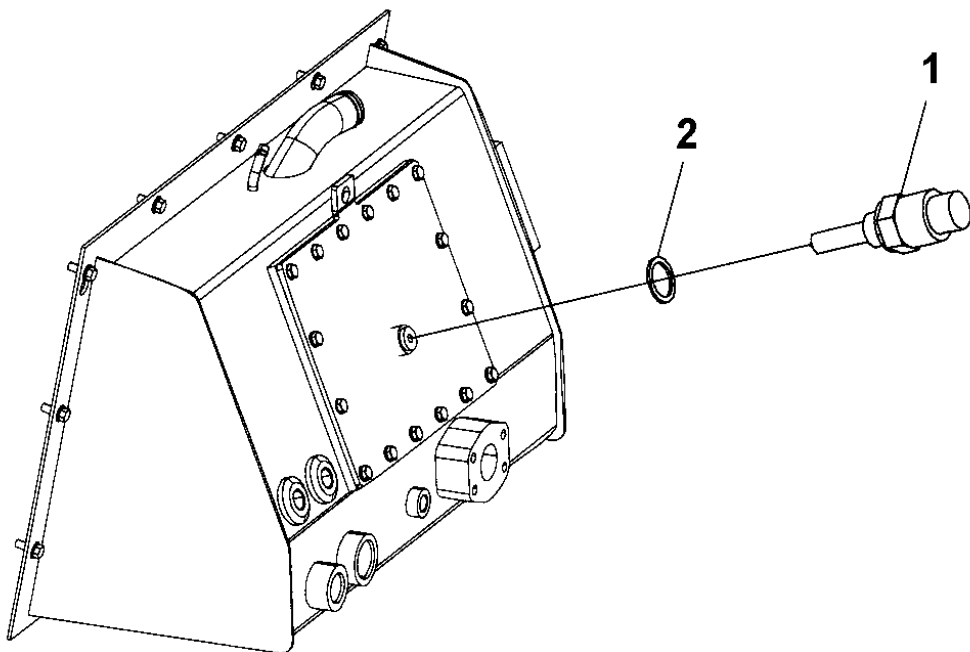


Refer to Parts Online for the most up to date information. The printed information might be outdated.

Wed Nov 21 11:46:03 UTC 2018

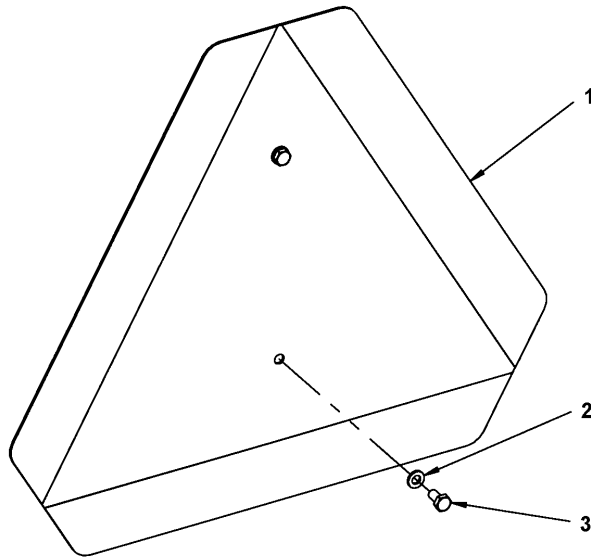
Item	Part No.	Name	Qty	L	SN INFO
1	4812114804	Bracket	1		
3	4700904229	Washer, 8.4x 6x1.5 mm 300HV	6		
4	4700500021	Screw, M8x25 mm 8.8 A2K	2		
5	4700570005	Hexagon nut	2		
6	4700500024	Screw M8x45	2		

**Level sensor module, option** Level sensor module, option



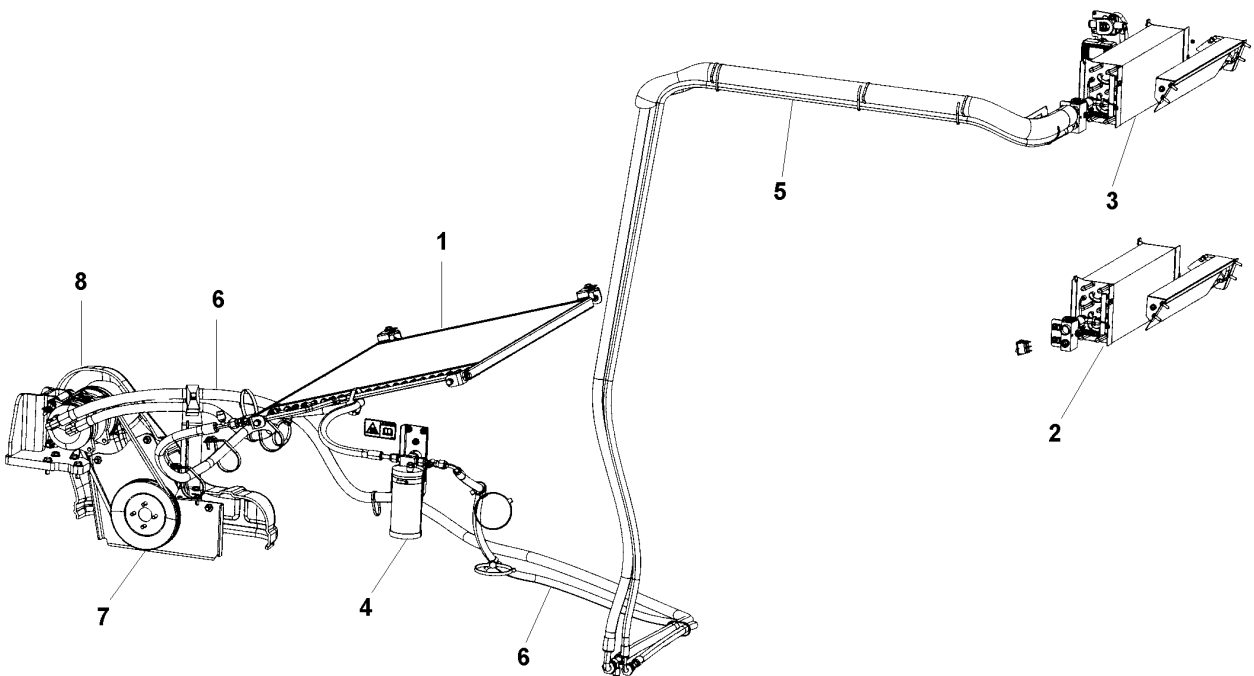
Item	Part No.	Name	Qty	L	SN INFO
1	4812112423	Level sensor	1		
2	4700330331	Washer 18,2x23,9x1,5	1		

**SMV-sign** SMV-sign



Item	Part No.	Name	Qty	L	SN INFO
1	4700476019	SMV-sign	1		
2	4700904228	Washer 6,4x12x1,5	2		
3	4700500012	Hex. screw	2		

**Air conditioning** Air conditioning



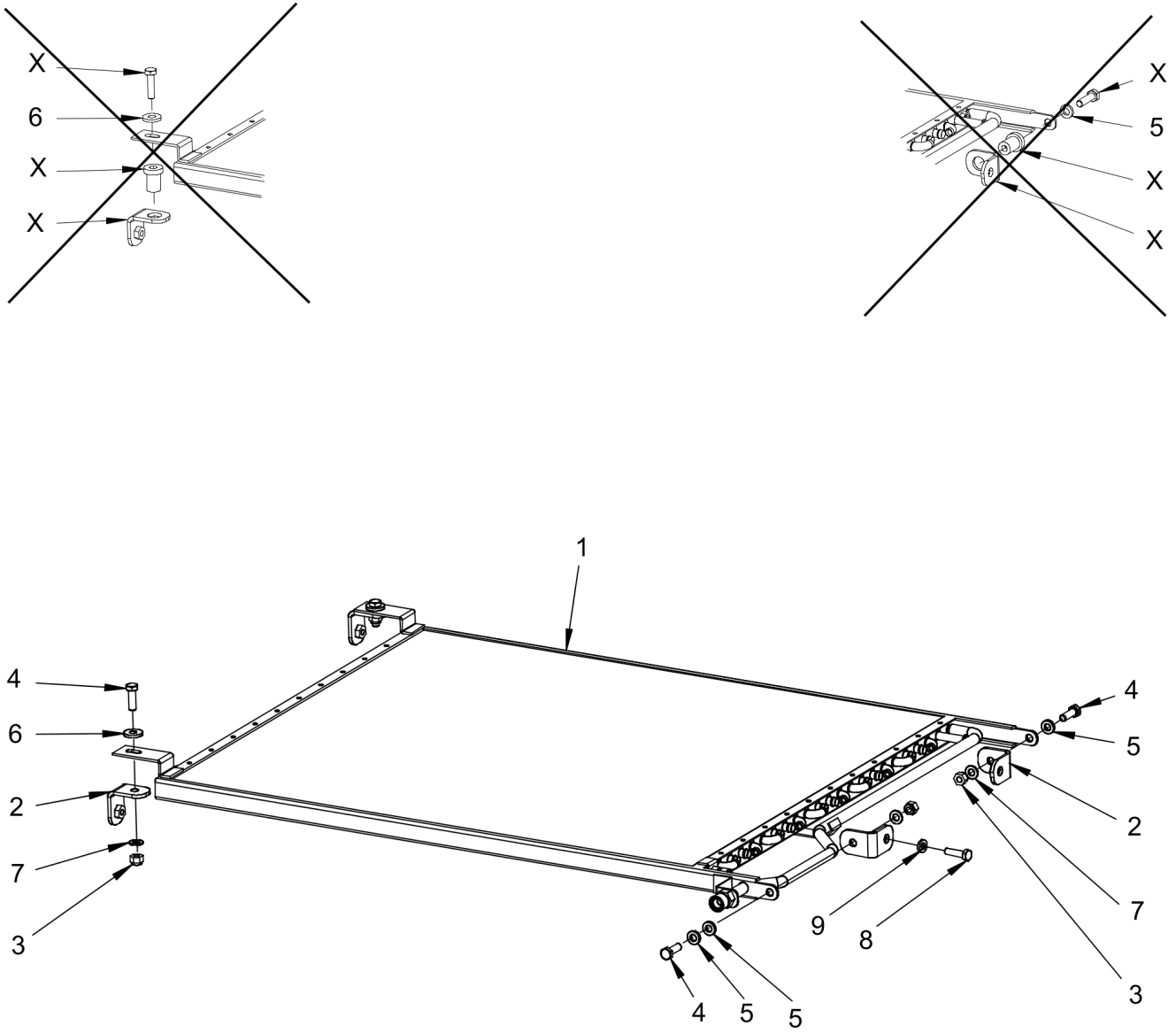
Refer to Parts Online for the most up to date information. The printed information might be outdated.

Wed Nov 21 11:46:03 UTC 2018



Item	Part No.	Name	Qty	L	SN INFO
1	-	Condensor assembly	1		
2	-	AC module	1		
3	-	ACC module	1		
4	-	Drying filter module	1		
5	-	Hose assy kit for AC	1		
6	-	Hose assy kit for AC	1		
7	-	Compressor module	1		
8	-	Belt guard module	1		

**Air conditioning** Condensor assembly

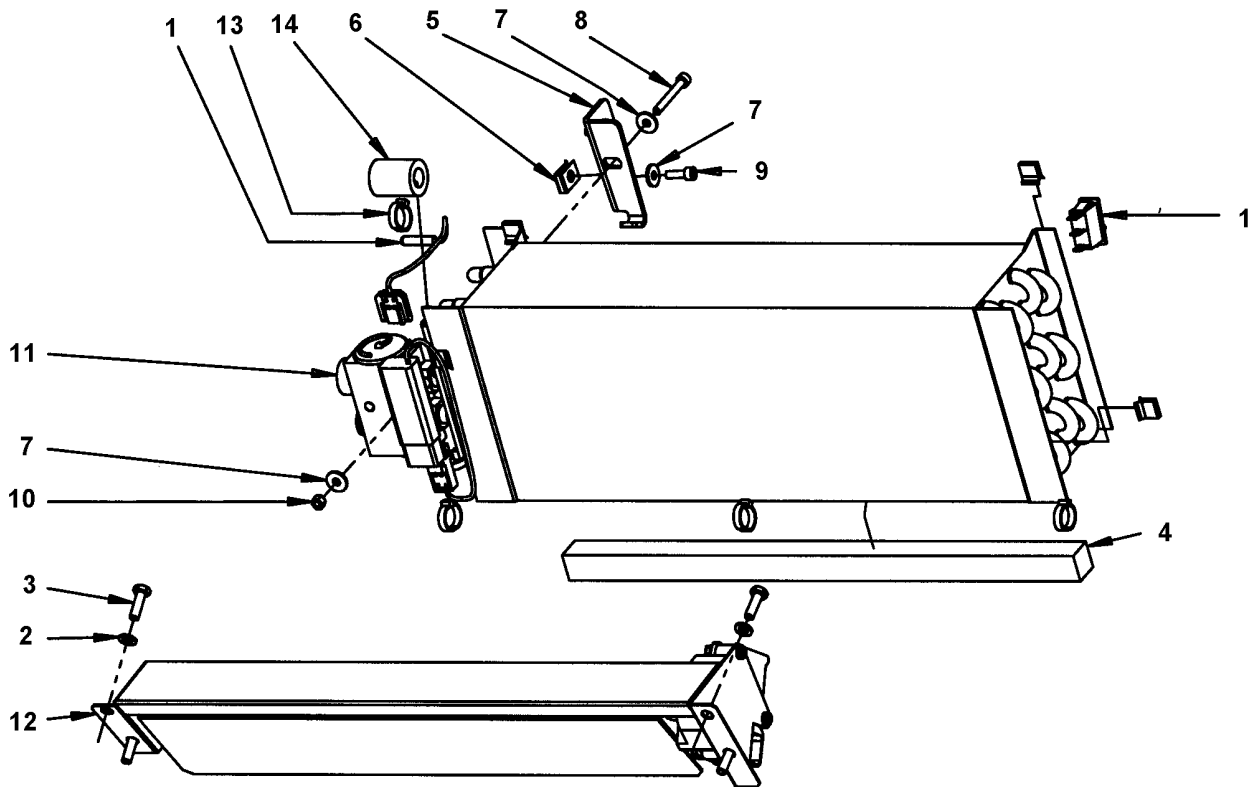


Refer to Parts Online for the most up to date information. The printed information might be outdated.

Wed Nov 21 11:46:03 UTC 2018

Item	Part No.	Name	Qty	L	SN INFO
1	4812113032	Condensor	1		
2	4812123800	Bracket	4		
3	4700586003	Lock nut M8	4		
4	4700500021	Screw, M8x25 mm 8.8 A2K	4		
5	4700904556	Steel plain washer 8,4x16x3,0	3		
6	4700904640	Washer, 8.4x22x3 mm 300HV	2		
7	4700904229	Washer, 8.4x 6x1.5 mm 300HV	4		
8	4700500022	Screw	4		
9	4700904556	Steel plain washer 8,4x16x3,0	4		
X	-	Not to be used			

**Air conditioning** AC module



Refer to Parts Online for the most up to date information. The printed information might be outdated.

Wed Nov 21 11:46:03 UTC 2018

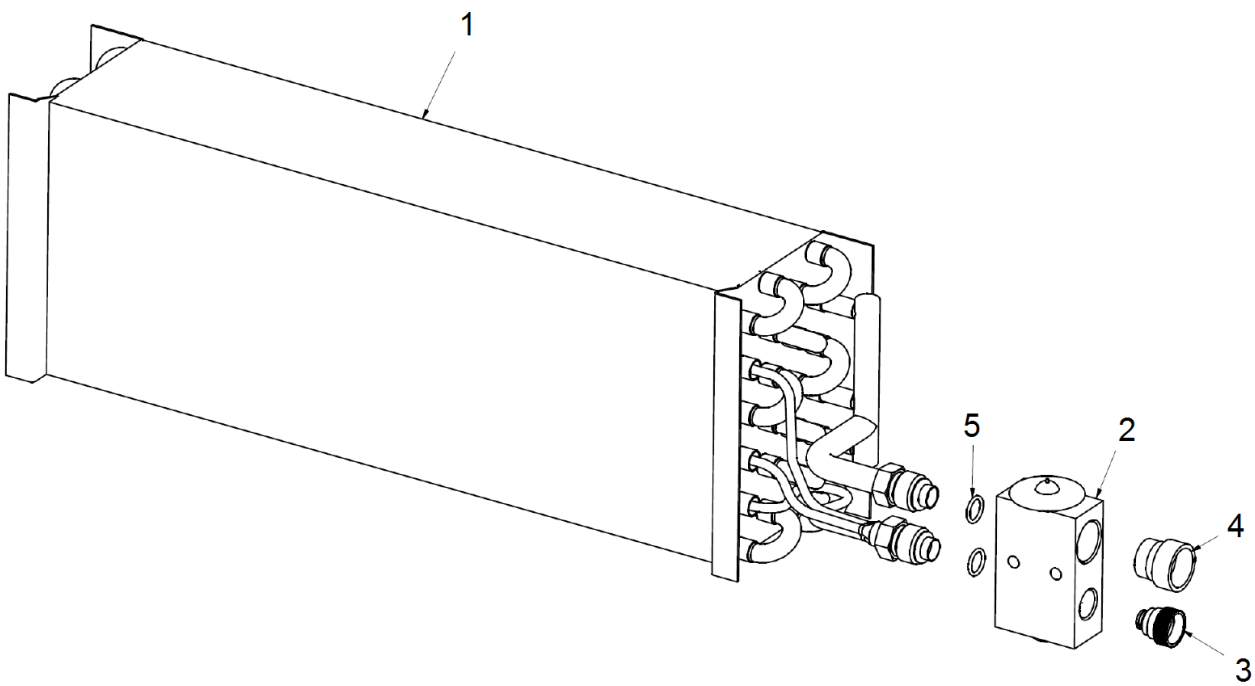
Item	Part No.	Name	Qty	L	SN INFO
1	4812113622	Ac kit	1		
1	4700950348	Switch, air condition	1		
1	4812158481	Switch, flapper	1		
1	4812158482	Thermostat	1		
2	4700904228	Washer 6,4x12x1,5	4		
3	4700500040	Screw, M6x20 mm 8.8 A2K	4		
4	4700792718	Foam rubber	1		
5	4812114311	Bracket	1		
6	4811000458	Speed nut	2		
7	4700601001	Washer	4		
8	4700508099	Screw	1		
9	4700926537	Screw	2		
10	4700570003	Hex. nut	1		
11	4812113623	Evaporator, cpl	1		
12	4812115013	Air intake	1		
13	4700313041	Cable ties	10		
14	4812117349	Cork tape	1XL	A	

Comments for Page: AC module

(L)OCAL REMARKS

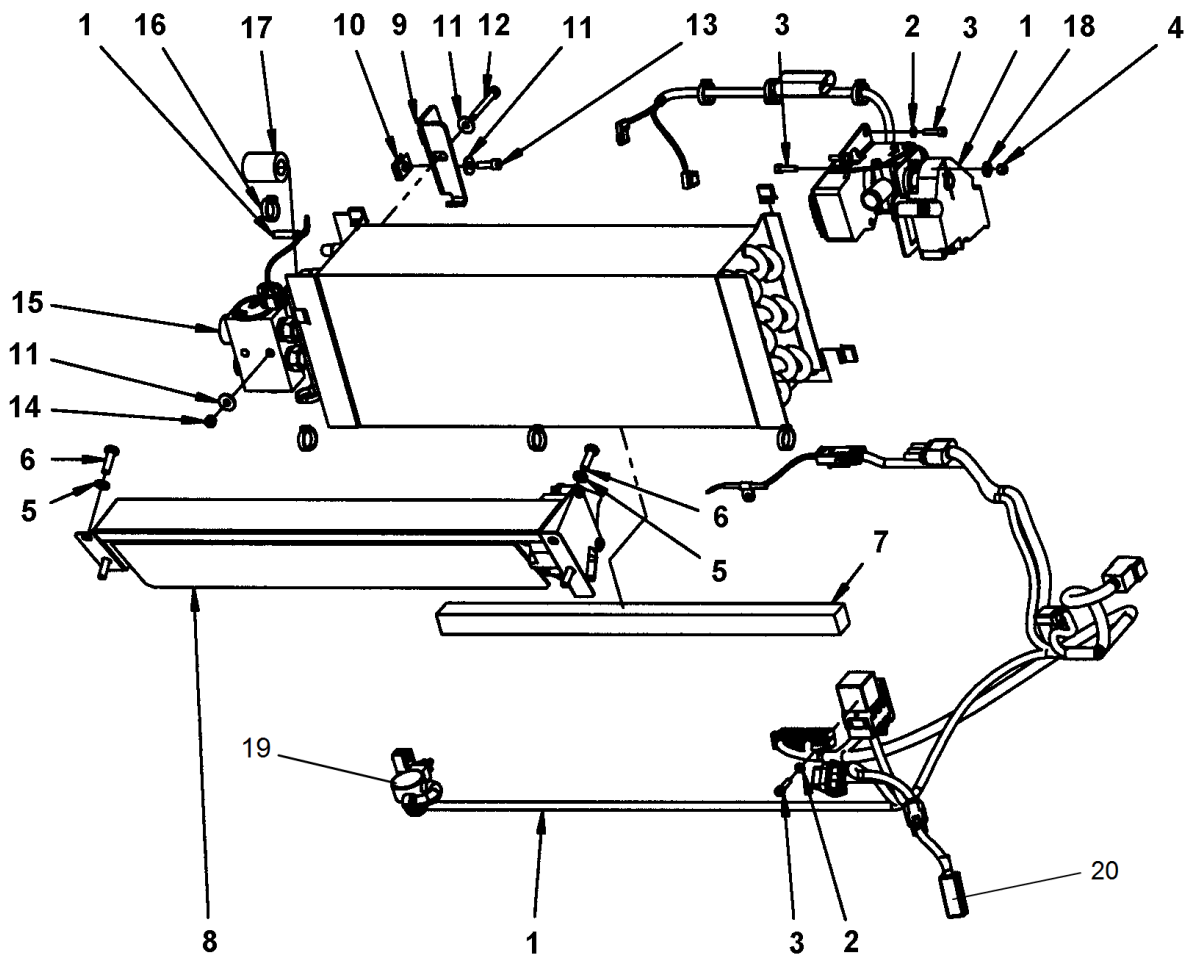
A | en\_US | L = 0.5m

**Air conditioning** 4812113623 Evaporator, cpl



Item	Part No.	Name	Qty	L	SN INFO
1	4812160598	Evaporator coil	1		
2	4700384176	Expansion valve	1		
3	-	Connector plug	1		
4	-	Connector plug	1		
5	4700384878	O-ring Size 8	2		

**Air conditioning ACC module**



Refer to Parts Online for the most up to date information. The printed information might be outdated.

Wed Nov 21 11:46:04 UTC 2018



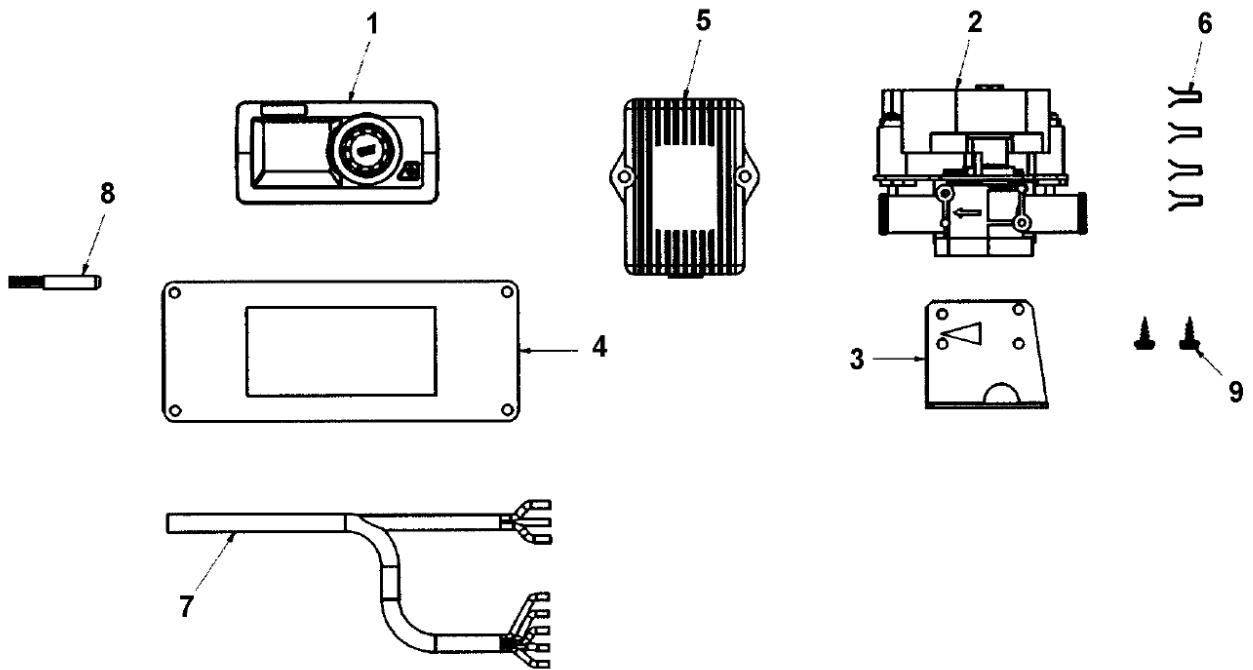
Item	Part No.	Name	Qty	L	SN INFO
1	4812113624	ACC kit	1		
2	4700904698	Plain washer	3		
3	4700508022	Hexagon socket head cap screw	4		
4	4700923976	Lock nut	1		
5	4700904228	Washer 6,4x12x1,5	4		
6	4700500040	Screw, M6x20 mm 8.8 A2K	4		
7	4700792718	Foam rubber	1		
8	4812115013	Air intake	1		
9	4812114311	Bracket	1		
10	4811000458	Speed nut	2		
11	4700601001	Washer	4		
12	4700508099	Screw	1		
13	4700926537	Screw	2		
14	4700570003	Hex. nut	1		
15	4812113623	Evaporator, cpl	1		
16	4700313041	Cable ties	10		
17	4812117349	Cork tape	1XL	A	
18	4700904299	Washer	1		
19	4700938624	Sensor, inner temp	1		
20	4812161298	Sensor, outer temp	1		

Comments for Page: ACC module

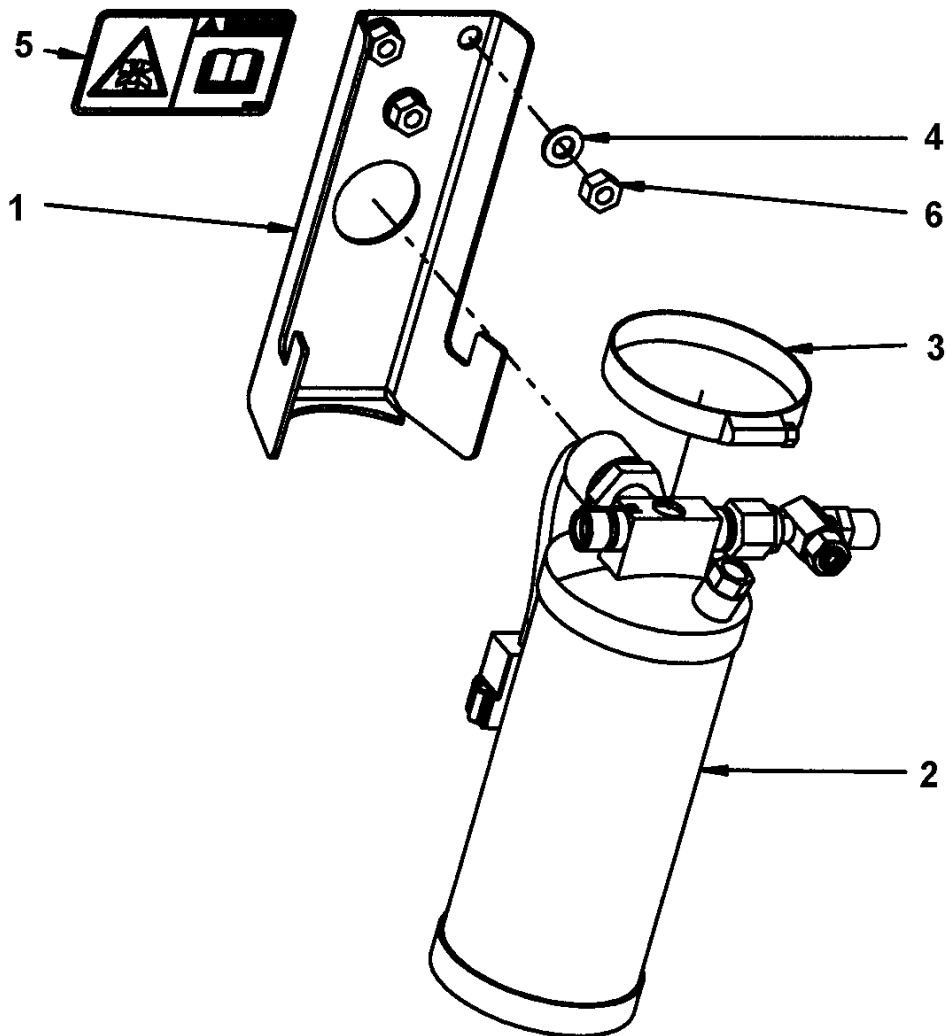
(L)OCAL REMARKS

A | en\_US | L = 0.5m

**Air conditioning** 4812113624 ACC kit



Item	Part No.	Name	Qty	L	SN INFO
1	4812158289	Micro ECC	1		
1	4812160767	Knob	1		
2	4700383425	Electronic valve	1		
3	-	Bracket	1		
4	-	Panel	1		
5	4812158290	Blower control	1		
6	-	Clip	4		
7	4812158291	Cable harness	1		
8	4812158292	Deicing sensor	1		
9	-	Screw	2		

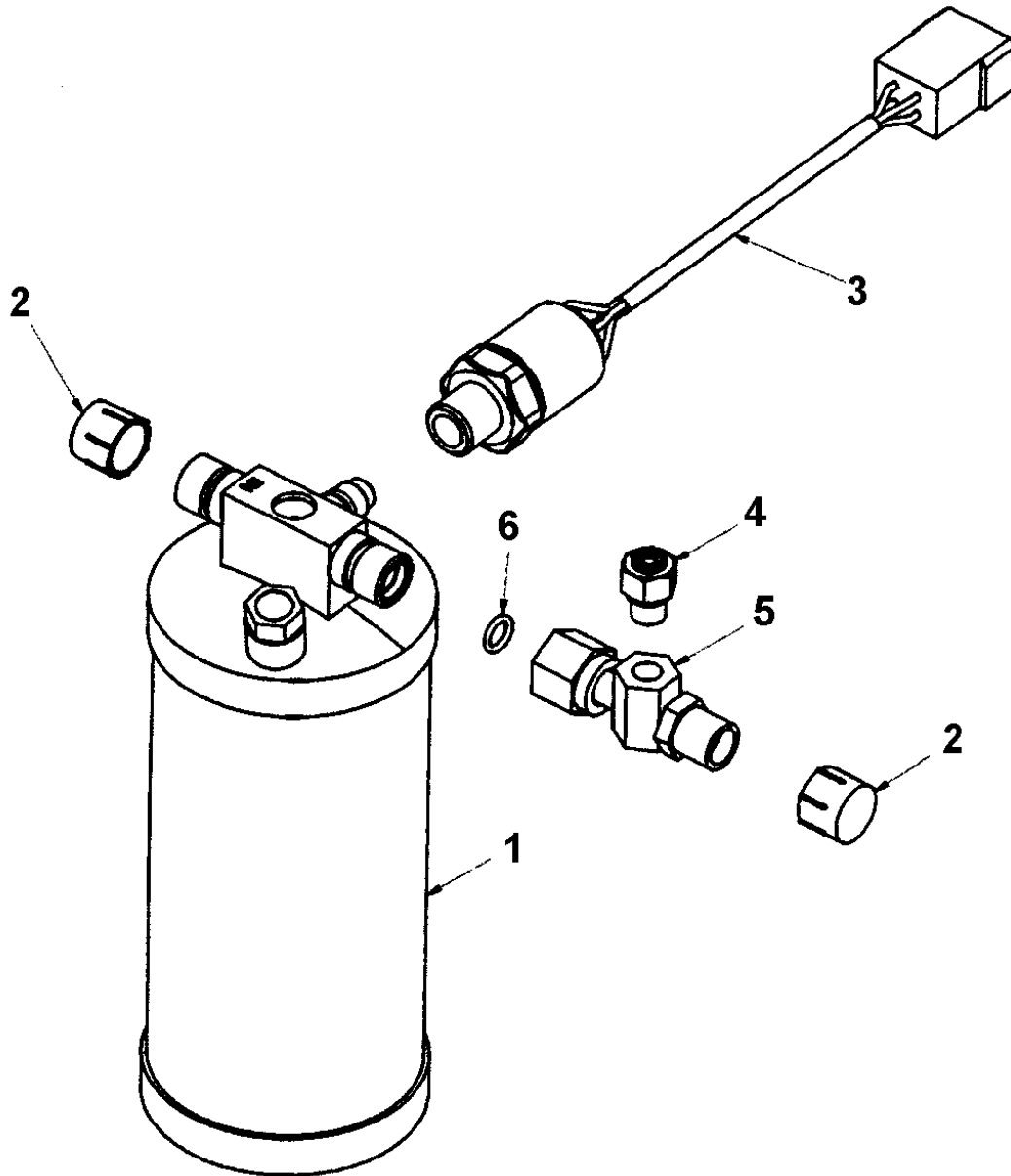
**Air conditioning** Drying filter module

Refer to Parts Online for the most up to date information. The printed information might be outdated.

Wed Nov 21 11:46:04 UTC 2018

Item	Part No.	Name	Qty	L	SN INFO
1	4812111311	Bracket	1		
2	4812114257	Drying filter assy	1		
3	4700313022	Hose clamp	1		
4	4700904229	Washer, 8.4x 6x1.5 mm 300HV	3		
5	4700904165	Safety decal "Toxic gases"	1		
6	4700570005	Hexagon nut	3		

**Air conditioning** 4812114257 Drying filter assy

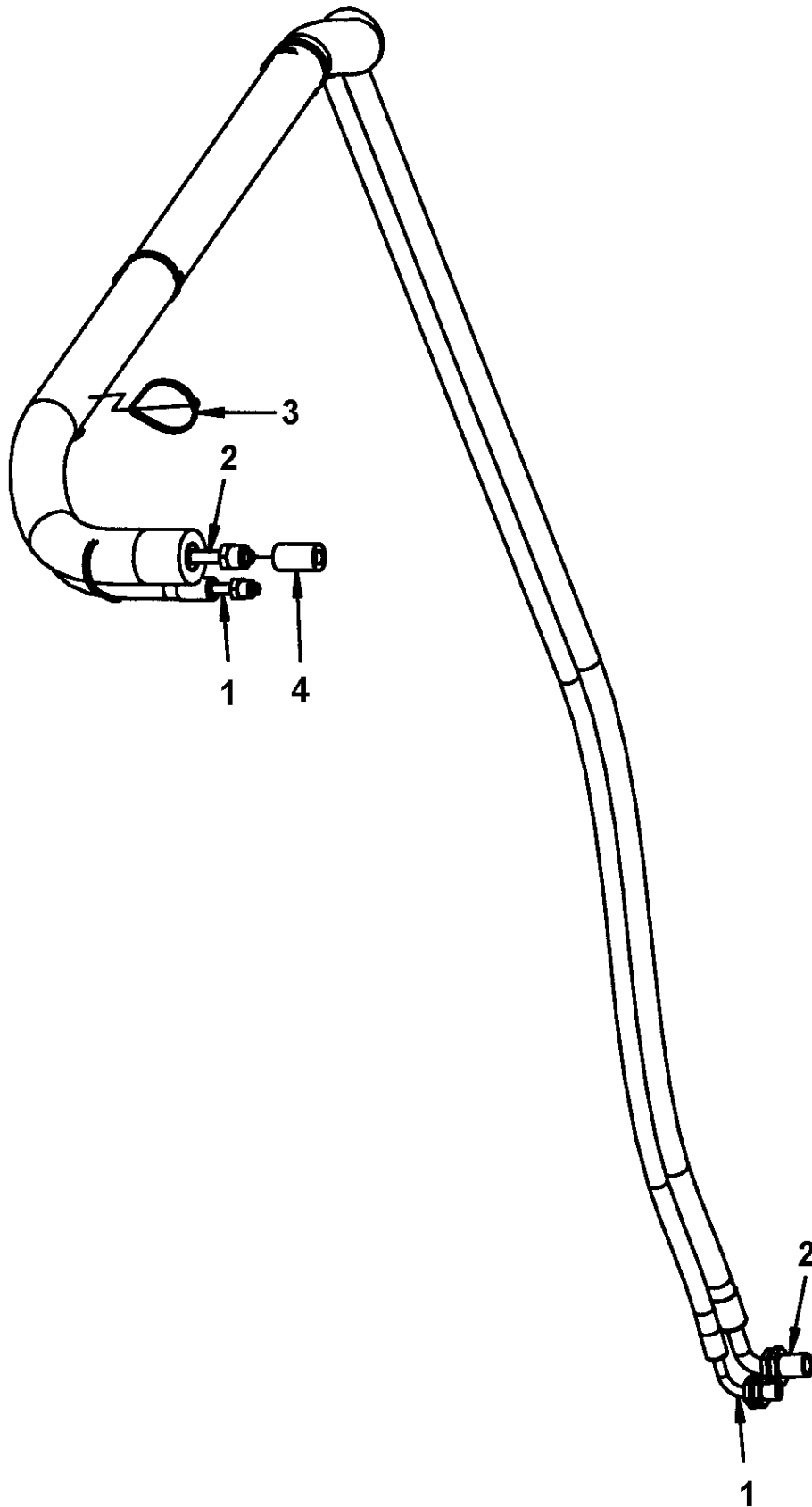


Refer to Parts Online for the most up to date information. The printed information might be outdated.

Wed Nov 21 11:46:04 UTC 2018

Item	Part No.	Name	Qty	L	SN INFO
1	4812113083	Drying filter	1		
2	-	Plastic cap	2		
3	4812113245	Pressure switch	1		
4	4812114245	Pressure relief valve	1		
5	4812114246	Adapter	1		
6	-	O-ring	1		

**Air conditioning** Hose assy kit for AC



Refer to Parts Online for the most up to date information. The printed information might be outdated.

Wed Nov 21 11:46:04 UTC 2018



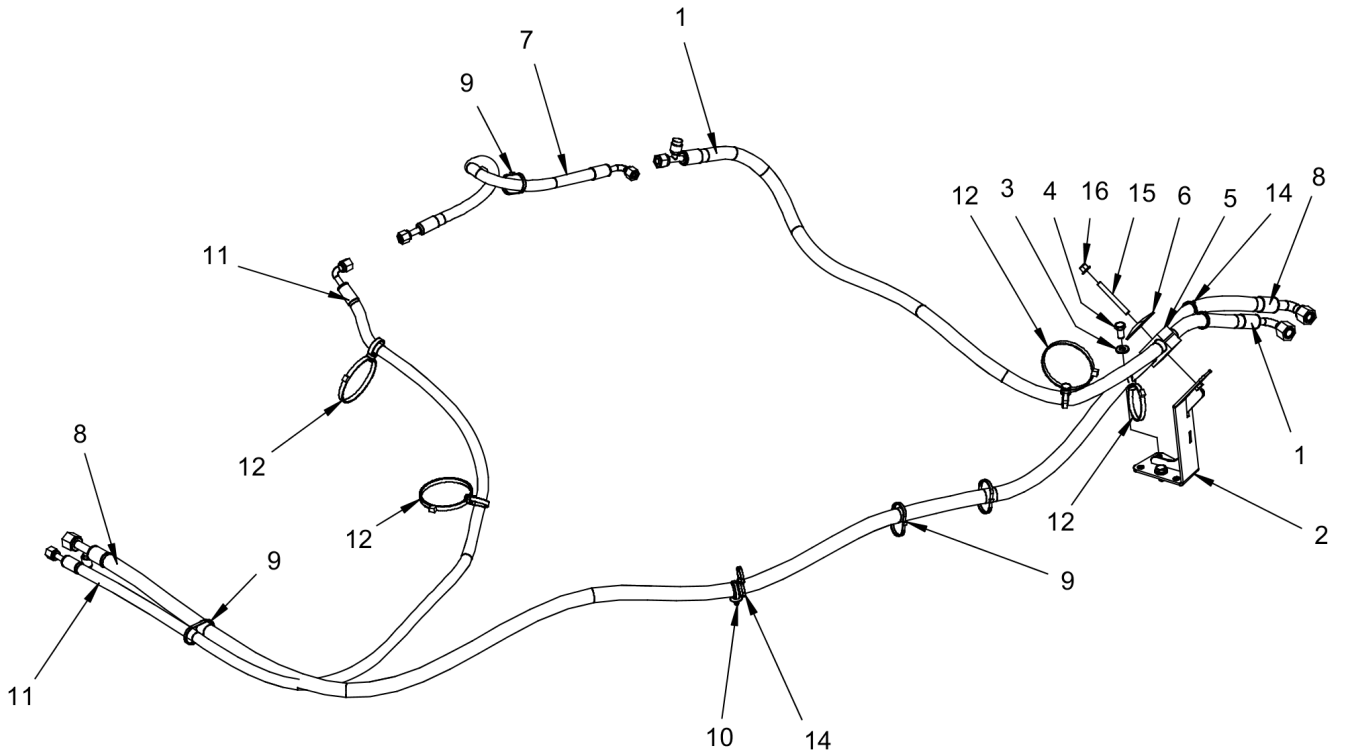
Item	Part No.	Name	Qty	L	SN INFO
1	4812114931	Refrigerant hose	1		
2	4812114932	Refrigerant hose	1		
3	4700792609	Cable ties	7		
4	4812117349	Cork tape	1XL	A	

Comments for Page: Hose assy kit for AC

(L)OCAL REMARKS

A | en\_US | L = 0.2m

**Air conditioning** Hose assy kit for AC

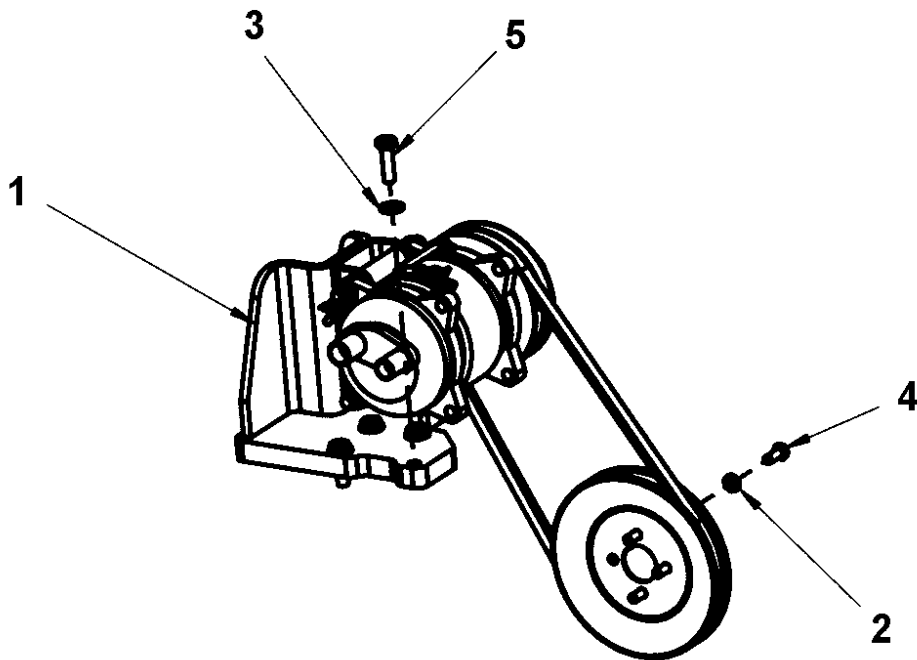


Refer to Parts Online for the most up to date information. The printed information might be outdated.

Wed Nov 21 11:46:05 UTC 2018

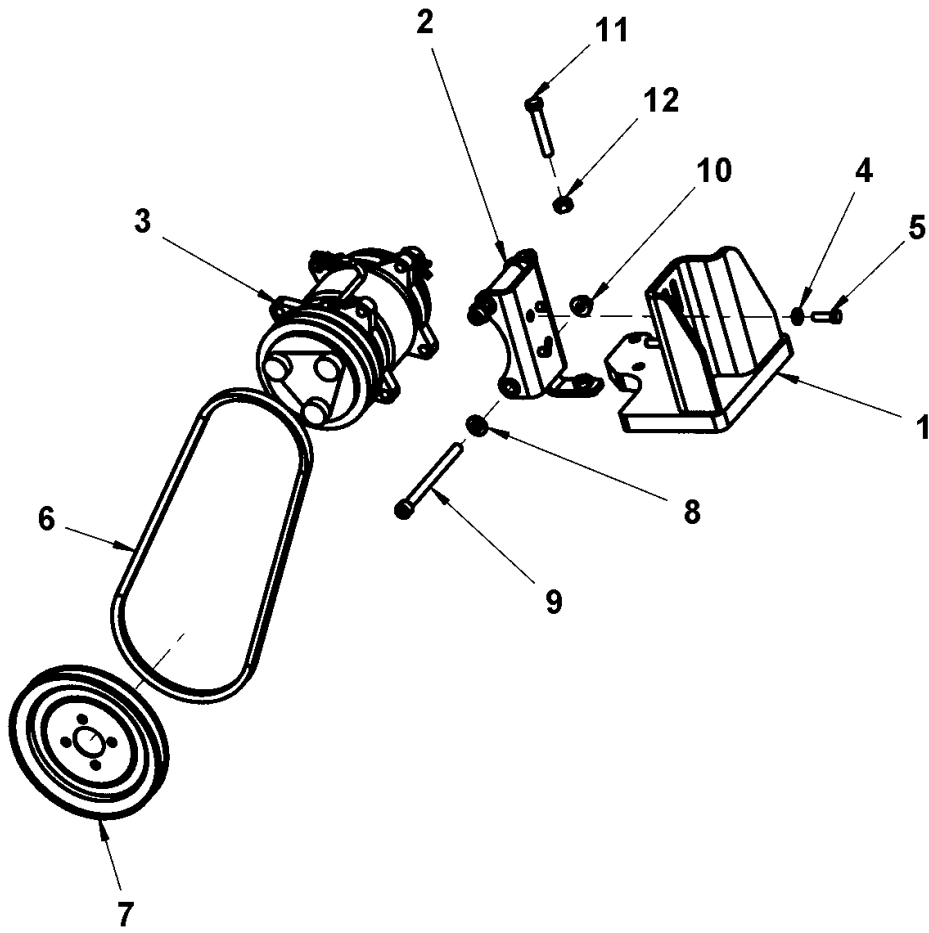
Item	Part No.	Name	Qty	L	SN INFO
1	4812119489	Refrigerant hose	1		
2	4812119093	Bracket	1		
3	4700904230	Steel plain washer	2		
4	4700500048	Screw, M10x20 mm 8.8 A3K	2		
5	4700287295	Clamp	1		
6	4700904872	Cover plate	1		
7	4812113492	Refrigerant hose	1		
8	4812119490	Refrigerant hose	1		
9	4700313041	Cable ties	N		
10	4700792441	Cable tie with holder	1		
11	4812113491	Refrigerant hose	1		
12	4812117248	Cable tie with holder	4		
14	4700792686	Cable tie with holder	2		
15	4700791805	Stud	1		
16	4700902286	Lock nut, M8x1.25 mm A2K	1		

**Air conditioning** Compressor module



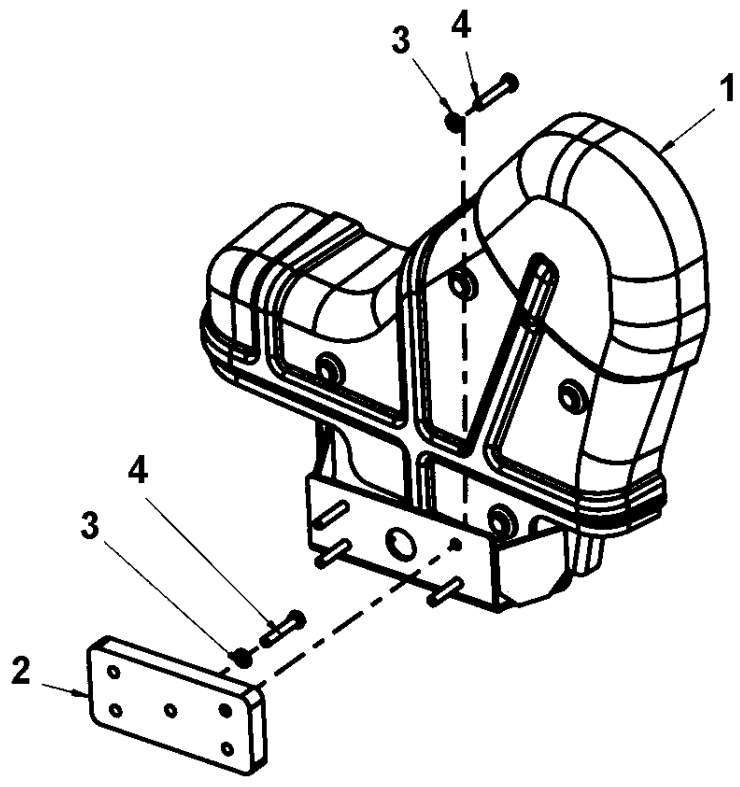
Item	Part No.	Name	Qty	L	SN INFO
1	-	Compressor assembly	1		
2	4700904229	Washer, 8.4x 6x1.5 mm 300HV	4		
3	4700904230	Steel plain washer	4		
4	4700500053	Screw, M8x20 mm 8.8 A2K	4		
5	4700500030	Hexagon head screw	4		

**Air conditioning** Compressor assembly



Item	Part No.	Name	Qty	L	SN INFO
1	4812117367	Bracket	1		
2	4812117368	Bracket	1		
3	4700396036	Compressor	1		
4	4700904556	Steel plain washer 8,4x16x3,0	2		
5	4700500021	Screw, M8x25 mm 8.8 A2K	2		
6	4700281327	Belt	1		
7	4700395192	V-belt pulley	1		
8	4700904230	Steel plain washer	2		
9	4700792797	Hexagon socket head cap screw m	2		
10	4700570103	Nut, M10 x 1.5 mm GEOMET®	2		
11	4700791082	Screw	1		
12	4700570006	Hexagon nut	1		

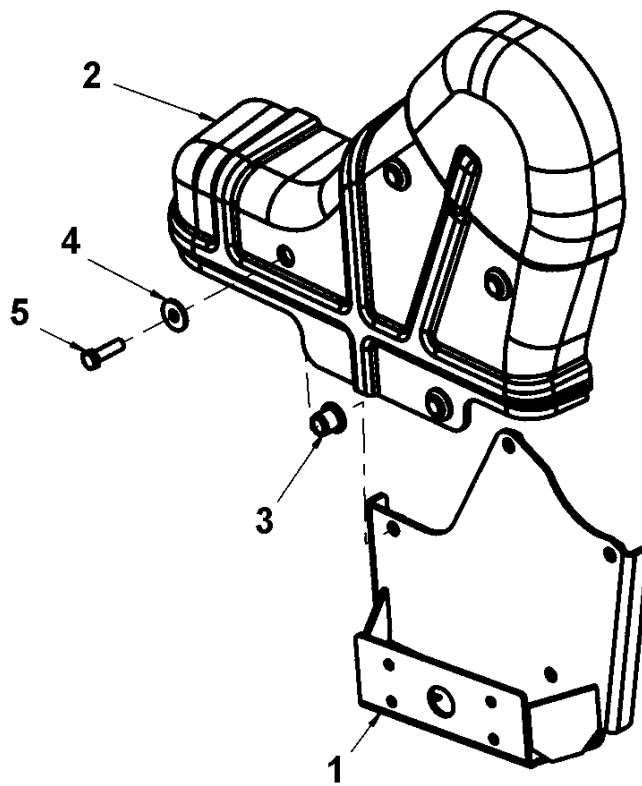
**Air conditioning** Belt guard module





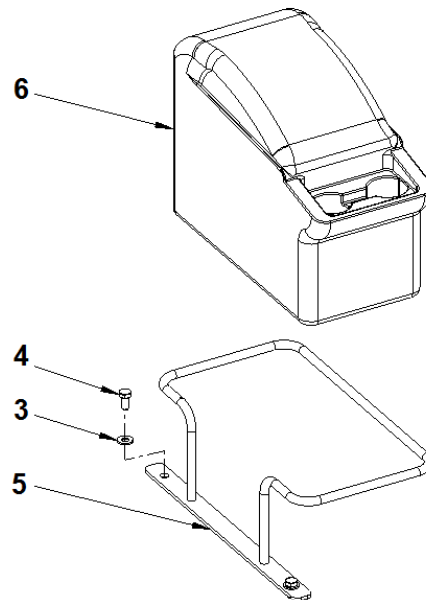
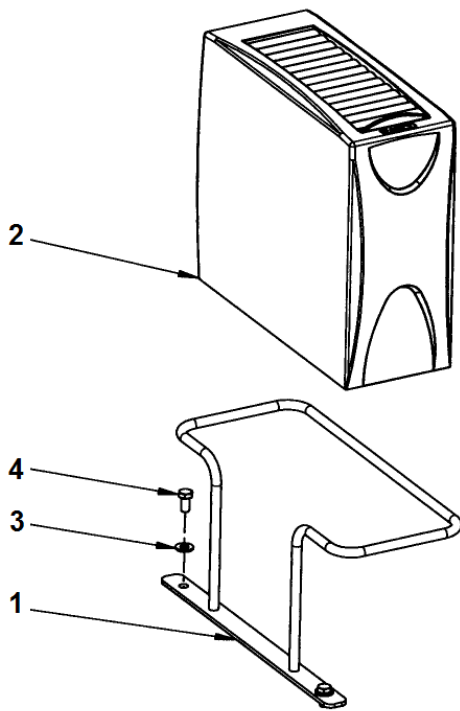
Item	Part No.	Name	Qty	L	SN INFO
1	-	Belt guard assy	1		
2	4812117097	Spacer	1		
3	4700904229	Washer, 8.4x 6x1.5 mm 300HV	5		
4	4700500024	Screw M8x45	5		

**Air conditioning** Belt guard assy



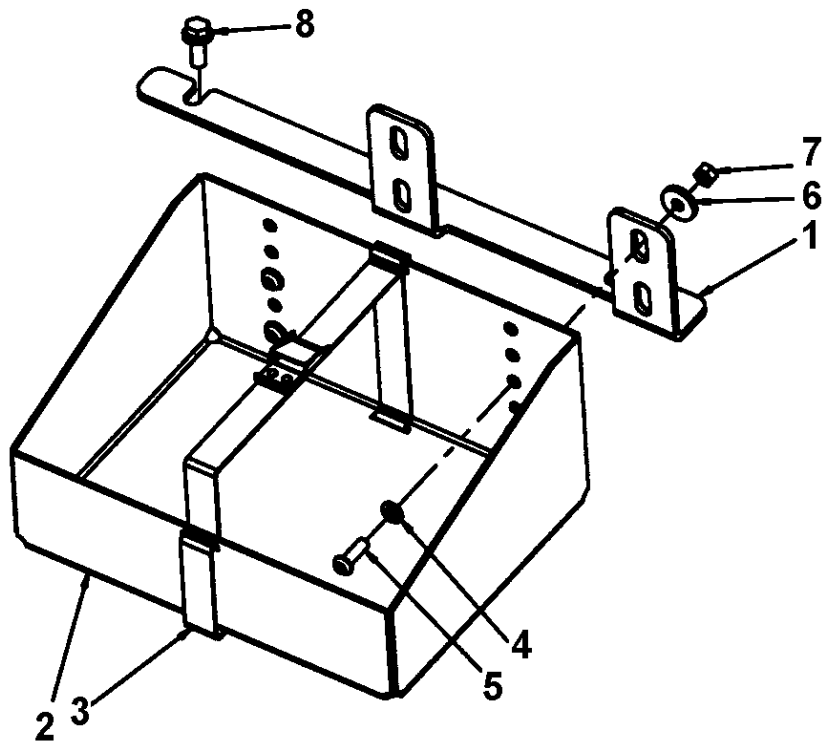
Item	Part No.	Name	Qty	L	SN INFO
1	4812117099	Bracket	1		
2	4812117098	Belt guard	1		
3	4812118203	Shock absorber	4		
4	4700928441	Washer, 21 x 45 mm	4		
5	4700500030	Hexagon head screw	4		

**Cooling box module** Cooling box module



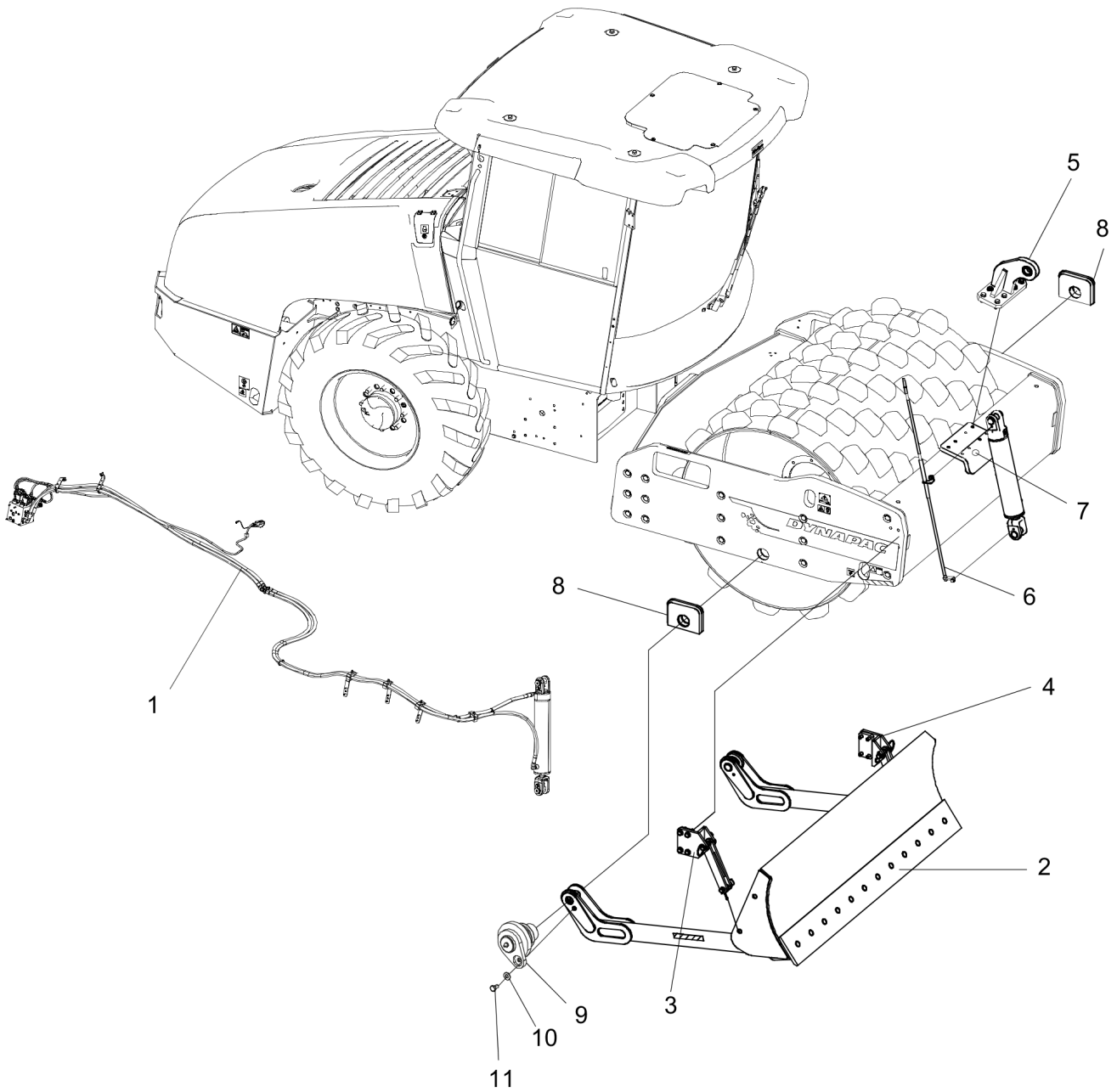
Item	Part No.	Name	Qty	L	SN INFO
1	4812114742	Holder	1		
2	4812118842	Cooling box	1		
2	4812160053	Cable 12V	1		
3	4700904230	Steel plain washer	2		
4	4700500048	Screw, M10x20 mm 8.8 A3K	2		
5	4812126463	Holder	1		
6	4812126487	Cooling box	1		

**Lunch box** Lunch box



Item	Part No.	Name	Qty	L	SN INFO
1	4812118893	Bracket	1		
2	4700377913	Box	1		
3	4700287643	Metal strapping	1		
4	4700904229	Washer, 8.4x 6x1.5 mm 300HV	4		
5	4700904654	Screw, M8 x 25 mm A2-70	4		
6	4700904734	Washer, 8.4x26x4 mm 300 HV	4		
7	4700570005	Hexagon nut	4		
8	4700500509	Screw, M10x25, 8.8	2		

**Strike off blade kit** Strike off blade kit



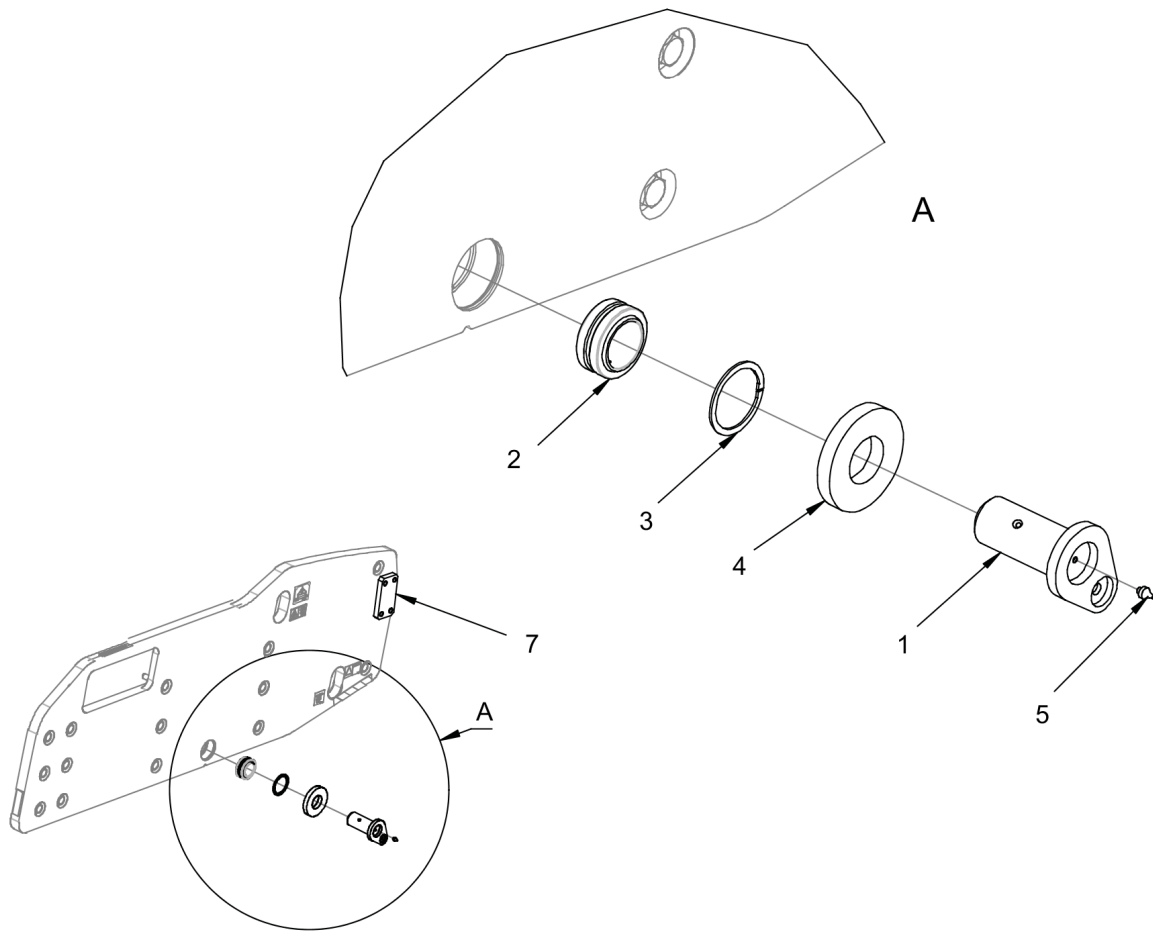
Refer to Parts Online for the most up to date information. The printed information might be outdated.

Wed Nov 21 11:46:06 UTC 2018



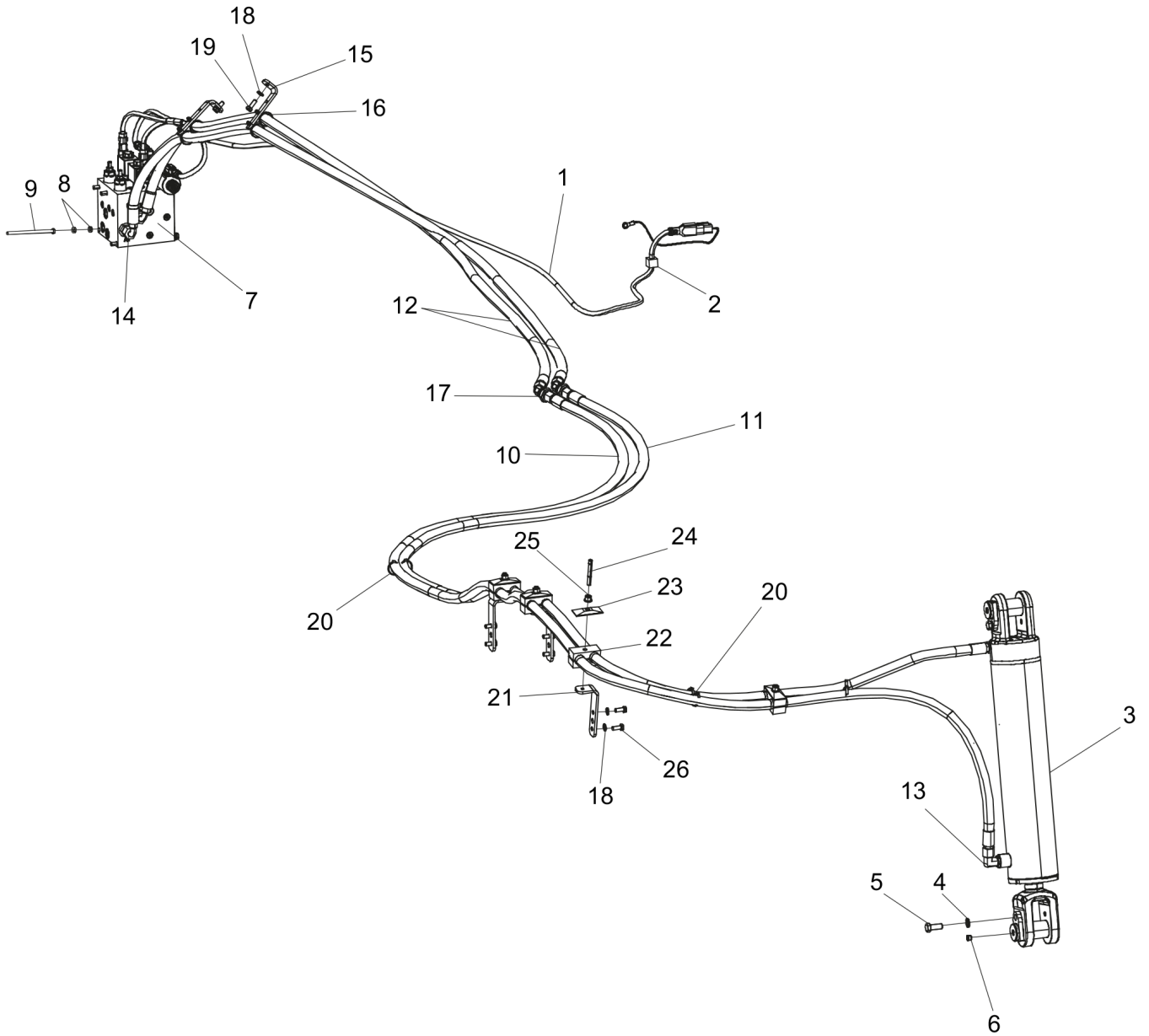
Item	Part No.	Name	Qty	L	SN INFO
0	4812141829	Strike off blade kit, cpl	1		
1	-	Hydraulics and electrical	1		
2	-	Strike off blade, module	1		
3	-	Locking device, module	1		
4	-	Locking device, module	1		
5	-	Bracket module	1		
6	-	Indicator	1		
7	4812117574	Sheet metal part	1		
8	4812121666	Bearing plate	2		
9		Bearing mount	1		
10	4700904230	Steel plain washer	2		
11	4700500043	Screw M10x16	2		

**Strike off blade kit** Bearing mount



Item	Part No.	Name	Qty	L	SN INFO
1	4812117643	Locking pin	2		
2	4700902062	Bushing	2		
3	4700151044	Retaining ring	2		
4	4812111940	Spacer	2		
5	4700926214	Grease fitting	2		
7	4812113996	Plate	2		

**Strike off blade kit** Hydraulic and Electrical, Strike off blade kit

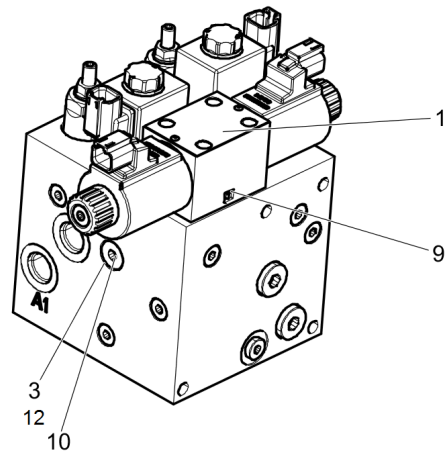
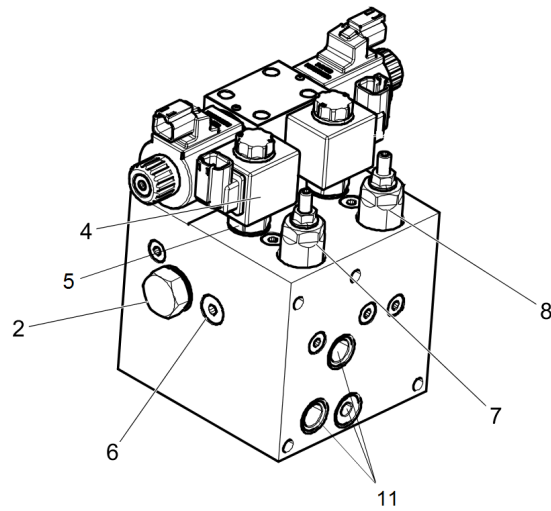


Refer to Parts Online for the most up to date information. The printed information might be outdated.

Wed Nov 21 11:46:06 UTC 2018

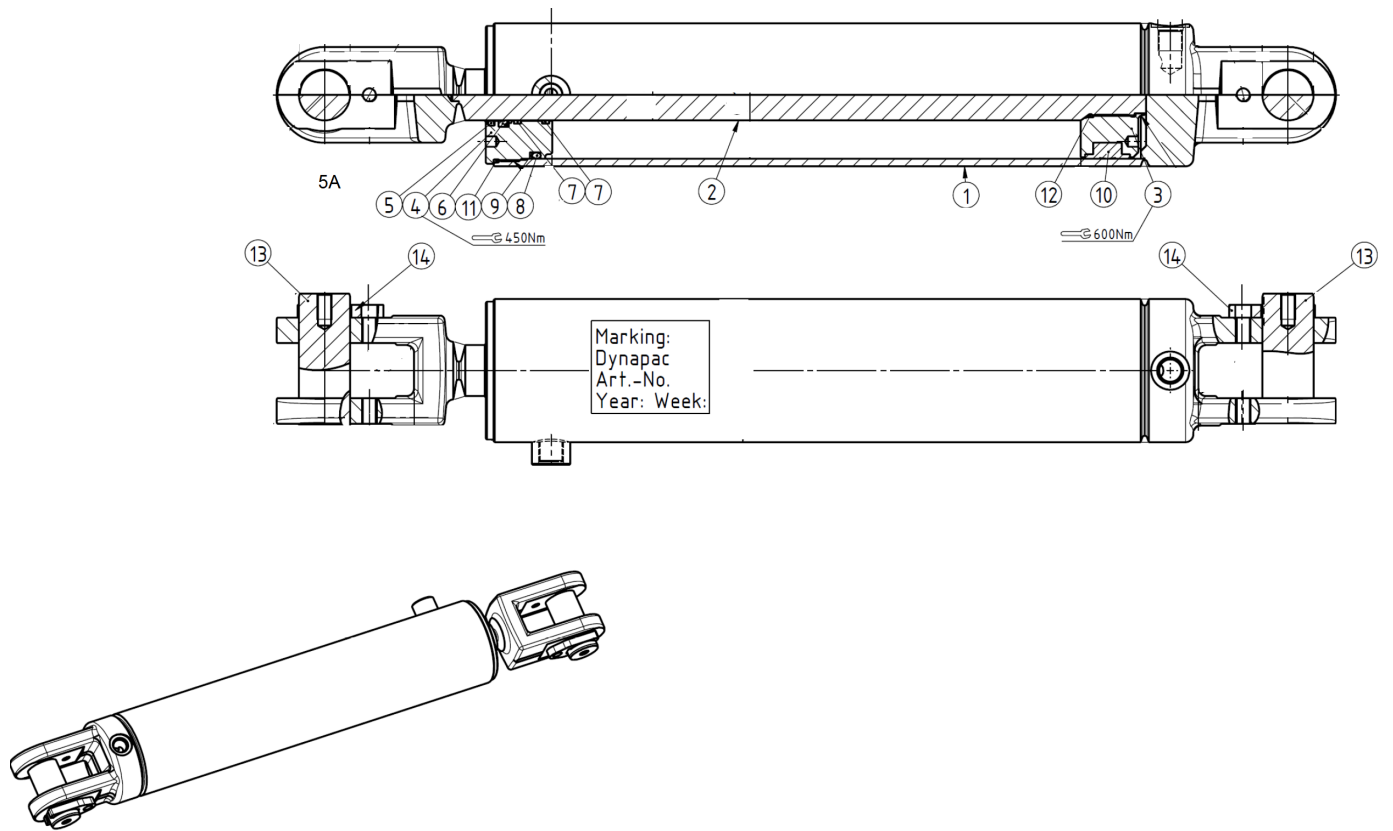
Item	Part No.	Name	Qty	L	SN INFO
1	4812111838	Cable harness	1		
2	4812112068	Cable entry insert	1		
3	4812121948	Hydraulic cylinder	1		
4	4700900994	Lock washer	2		
5	4700500046	Hex. head screw M12x030H	2		
6	4700792083	Plug	2		
7	4812113498	Hydraulic valve, Strike-off blade	1		
8	4700904556	Steel plain washer 8,4x16x3,0	8		
9	4700792359	Screw M8x160 8.8	4		
10	4812121706	Hydraulic hose	1		
11	4812121990	Hydraulic hose	1		
12	4812115085	Hydraulic hose	2		
13	4700791841	Elbow 90 orfs	2		
14	4700791799	Straight connector orfs	2		
15	4812112530	Bracket	2		
16	4700792441	Cable tie with holder	4		
17	4811000260	Bulkhead elbow 45 ORFS	2		
18	4700904229	Washer, 8.4x 6x1.5 mm 300HV	8		
19	4700500020	Hex. screw	2		
20	4700792686	Cable tie with holder	3		
21	4812112362	Bracket	3		
22	4700903456	Pipe clamp	4		
23	4700904872	Cover plate	4		
24	4700792500	Stud	4		
25	4700902286	Lock nut, M8x1.25 mm A2K	4		
26	4700500053	Screw, M8x20 mm 8.8 A2K	6		

**Strike off blade kit** 4812113498 Hydraulic valve, Strike-off blade



Item	Part No.	Name	Qty	L	SN INFO
1	4812157752	Directional valve 4/3	1		
1.1	4812162558	Coil	2		
2	4812157753	Pressure compensator	1		
3	4812162556	Check valve	1		
4	4812157771	Coil	2		
5	4812157775	Floating valve	2		
6	4812157681	Shuttle valve	1		
7	4812157754	Pressure relief valve	1		
8	4812157755	Pressure relief valve	1		
9	4812157756	Restrictor	1		
10	4812157757	Perforated screw	1		
11	4812160265	O-ring	3		
12	4812162557	Fitting tool	1		

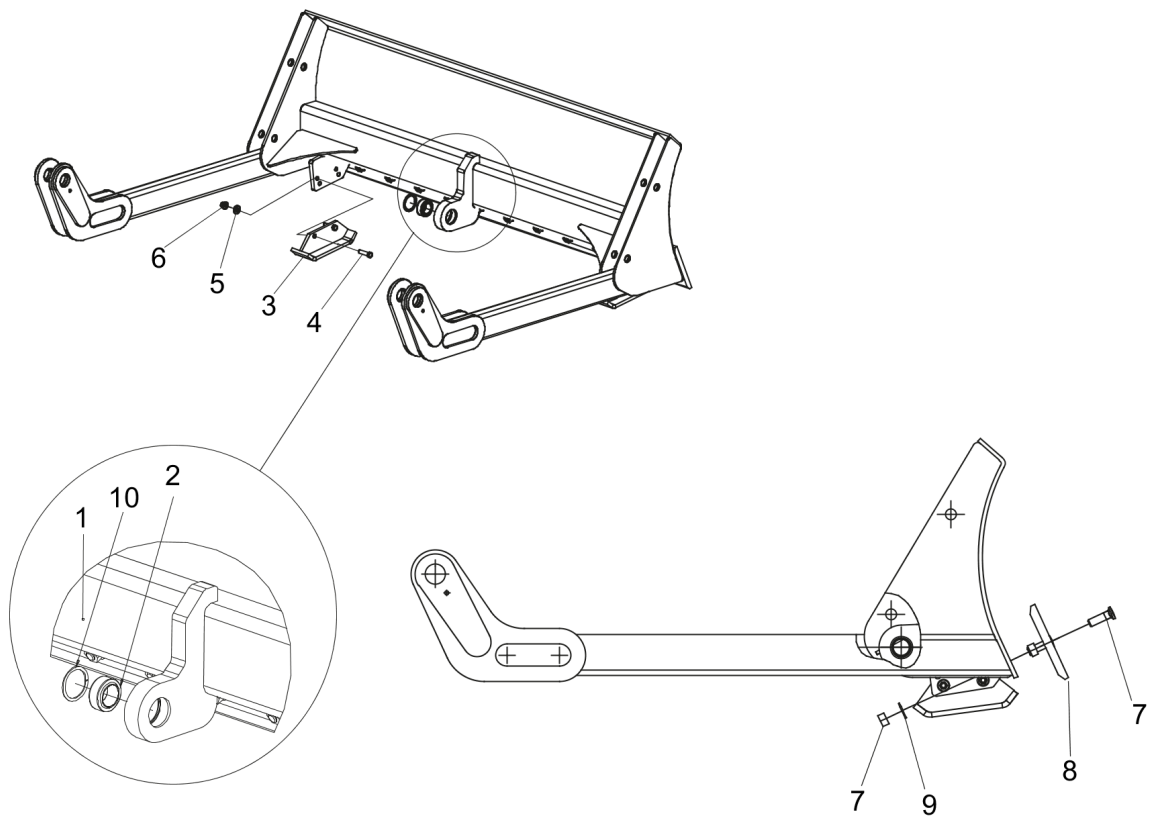
**Strike off blade kit 4812121948 Hydraulic cylinder**





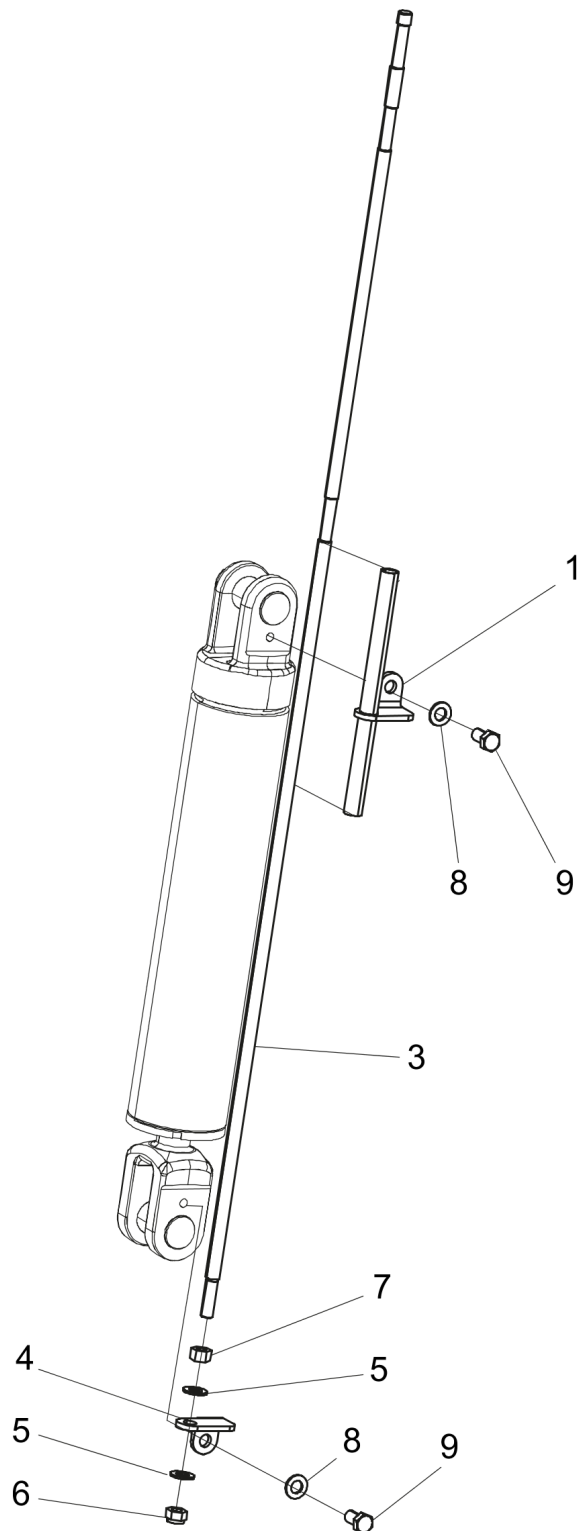
Item	Part No.	Name	Qty	L	SN INFO
0	4812121948	Hydraulic cylinder	1		
1	--	Guide block	1		
2	--	Guide block	1		
3	--	Guide block	1		
4	--	Guide block	1		
5A	4700950417	Seal kit	1		
5		Scraper	1		
6		Rod seal	1		
7	---	O-ring	2		
8	4812157565	O-ring	1		
9	---	O-ring	1		
10	4812157566	Piston seal	1		
11	4812157567	O-ring	1		
12	---	O-ring	1		
13	4812161153	Pin	2		
14	4812157572	Locking bracket	2		

**Strike off blade kit** Strike-off blade, mount



Item	Part No.	Name	Qty	L	SN INFO
1	4812117411	Strike-off blade	1		
2	4700792611	Radial spherical plain bearing	1		
3	4700346217	Shoe	2		
4	4700500195	Screw	4		
5	4700904213	Steel Plain Washer	4		
6	4700902288	Nut M12	4		
7	4700801251	Screw with nut	12		
8	4812117420	Wear plate	1		
9	4700904260	Washer	12		
10	4700151021	Snap ring	1		

**Strike off blade kit** Indicator, module

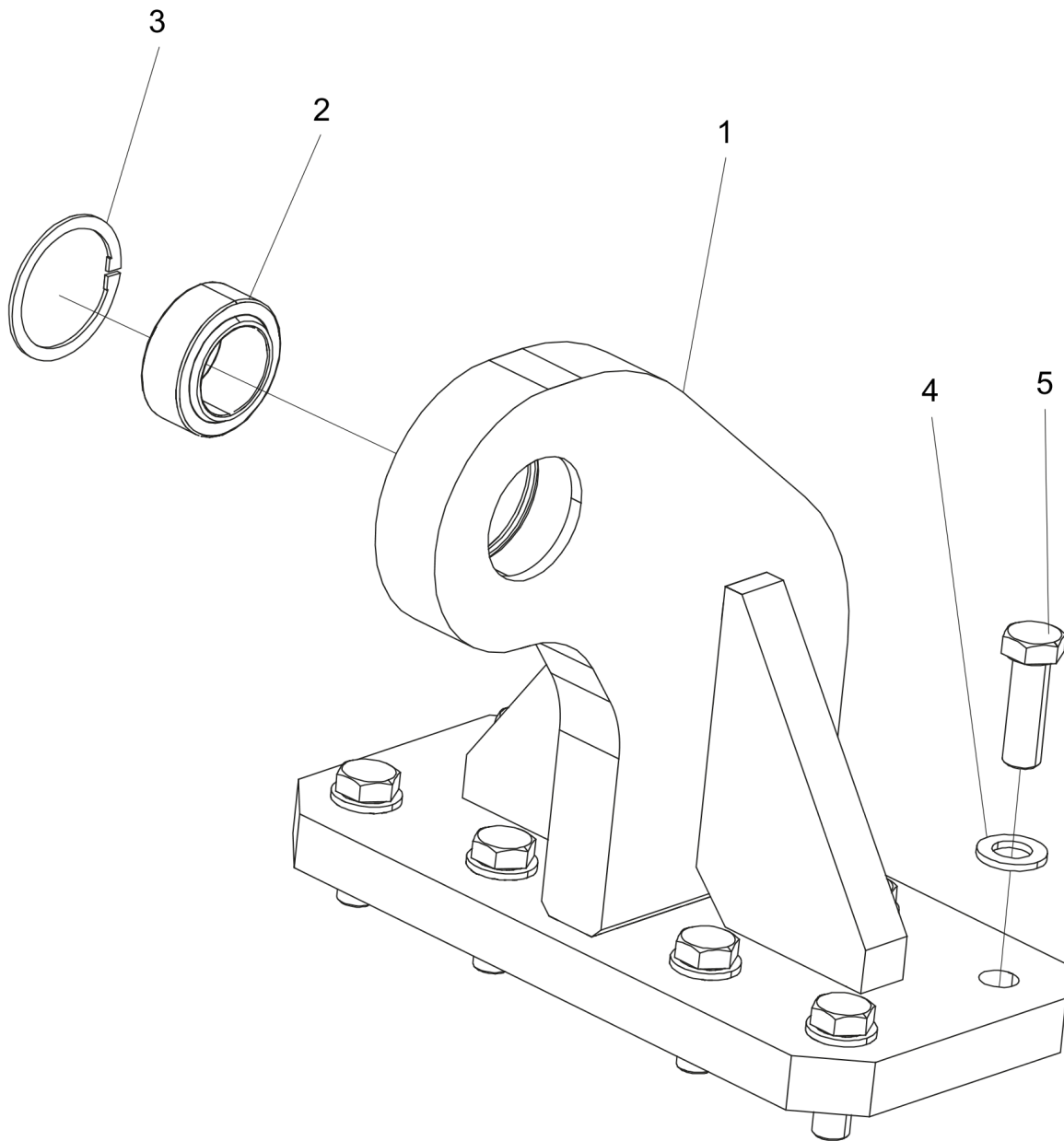


Refer to Parts Online for the most up to date information. The printed information might be outdated.

Wed Nov 21 11:46:08 UTC 2018

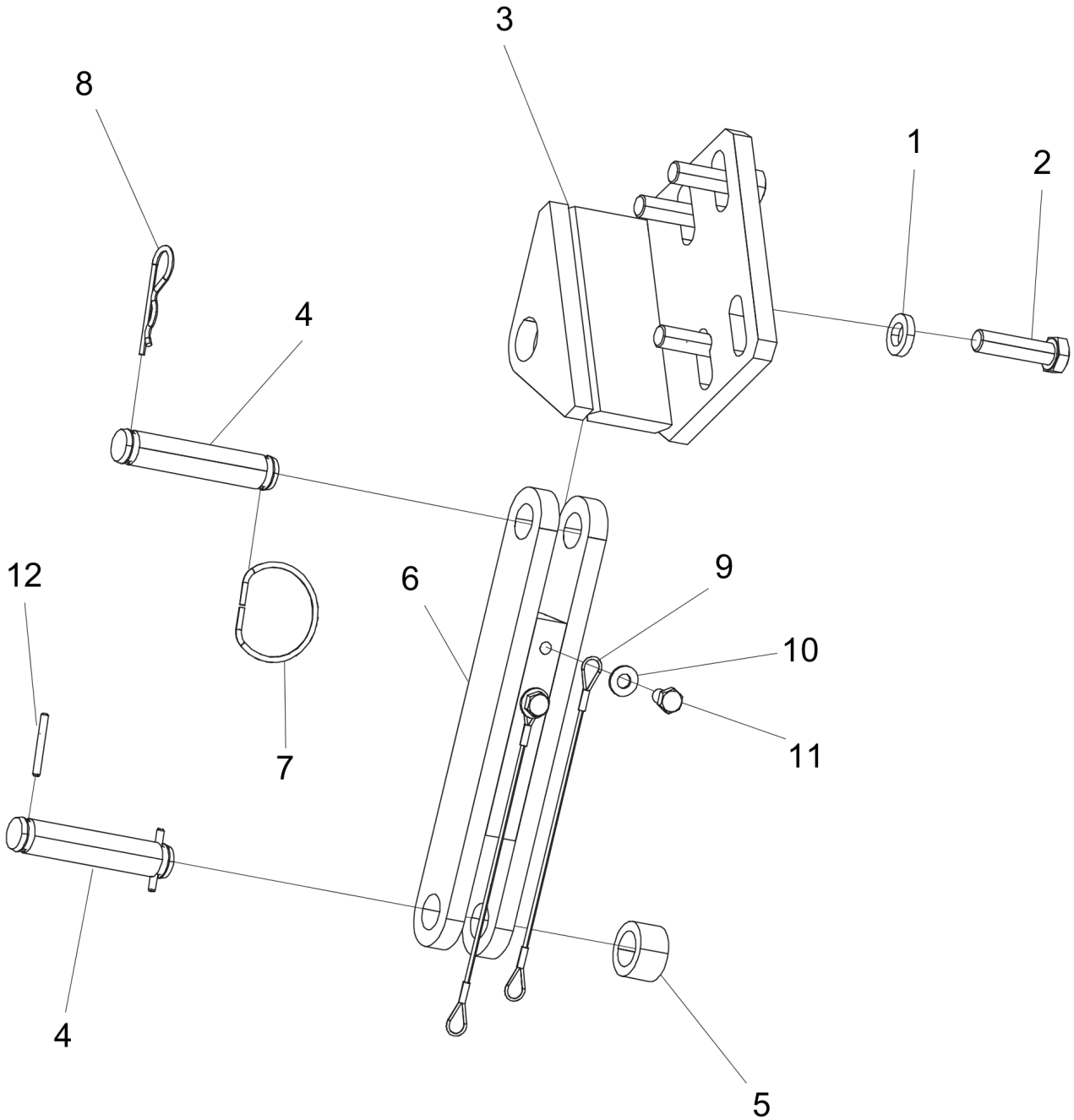
Item	Part No.	Name	Qty	L	SN INFO
1	4812113935	Bracket	1		
3	4812113936	Indicator	1		
4	4812113934	Bracket	1		
5	4700904231	Washer, 13x24x2 mm 300 HV	2		
6	4700791963	Lock nut M12	1		
7	4700570007	Nut	1		
8	4700904231	Washer, 13x24x2 mm 300 HV	2		
9	4700500036	Screw	2		

**Strike off blade kit** Bracket, module



Item	Part No.	Name	Qty	L	SN INFO
1	4812117417	Bracket	1		
2	4700792611	Radial spherical plain bearing	1		
3	4700151021	Snap ring	1		
4	4700904232	Steel plain washer	8		
5	4700947697	Screw	8		

**Strike off blade kit** Locking device, module



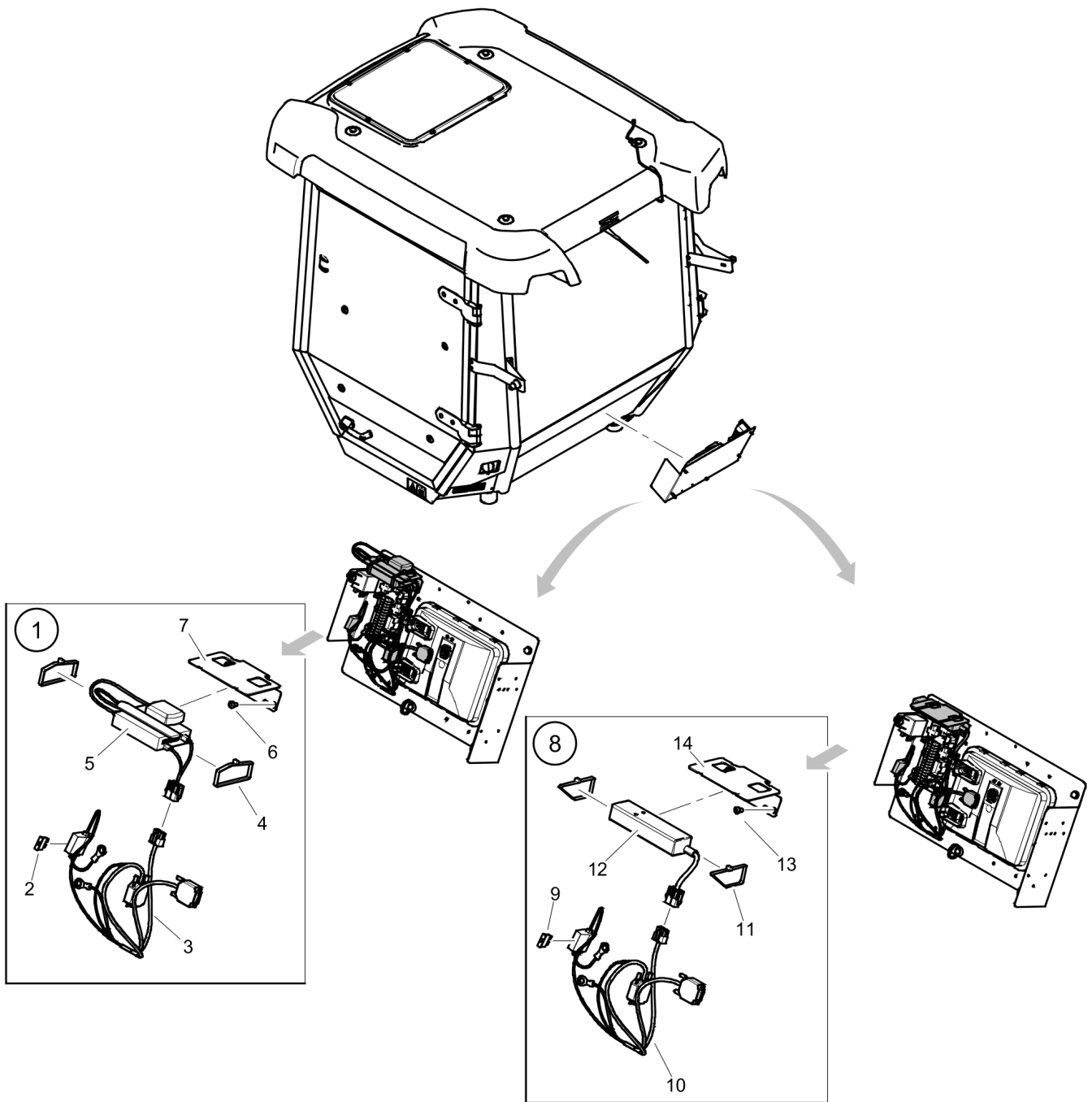
Refer to Parts Online for the most up to date information. The printed information might be outdated.

Wed Nov 21 11:46:08 UTC 2018



Item	Part No.	Name	Qty	L	SN INFO
1	4700904558	Washer, 17x30x6 mm 300 HV	4		
2	4812117740	Hex head screw M16x90	4		
3	4812121886	Bracket	1		
4	4812111946	Pin	2		
5	4812111937	Spacer sleeve	1		
6	4812117587	Safety link	1		
7	4700357488	Spring	1		
8	4700635061	Pin	1		
9	4700381619	Wire	2		
10	4700904260	Washer	2		
11	4700500043	Screw M10x16	2		
12	4700629076	Spring pin	2		

**Optional equipment** Dyn@Link module

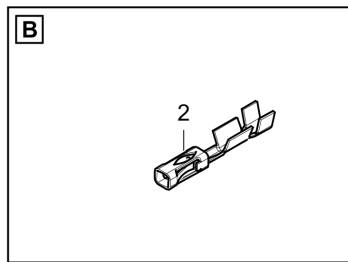
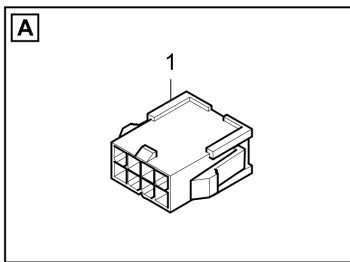
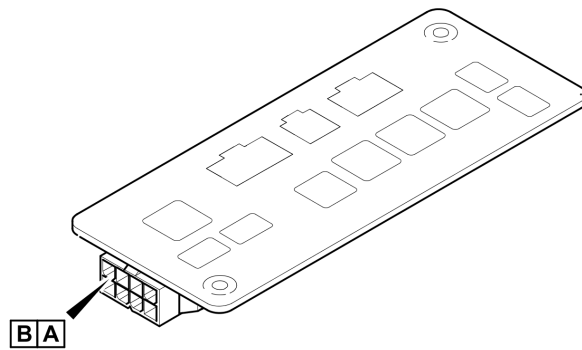


Refer to Parts Online for the most up to date information. The printed information might be outdated.

Wed Nov 21 11:46:09 UTC 2018

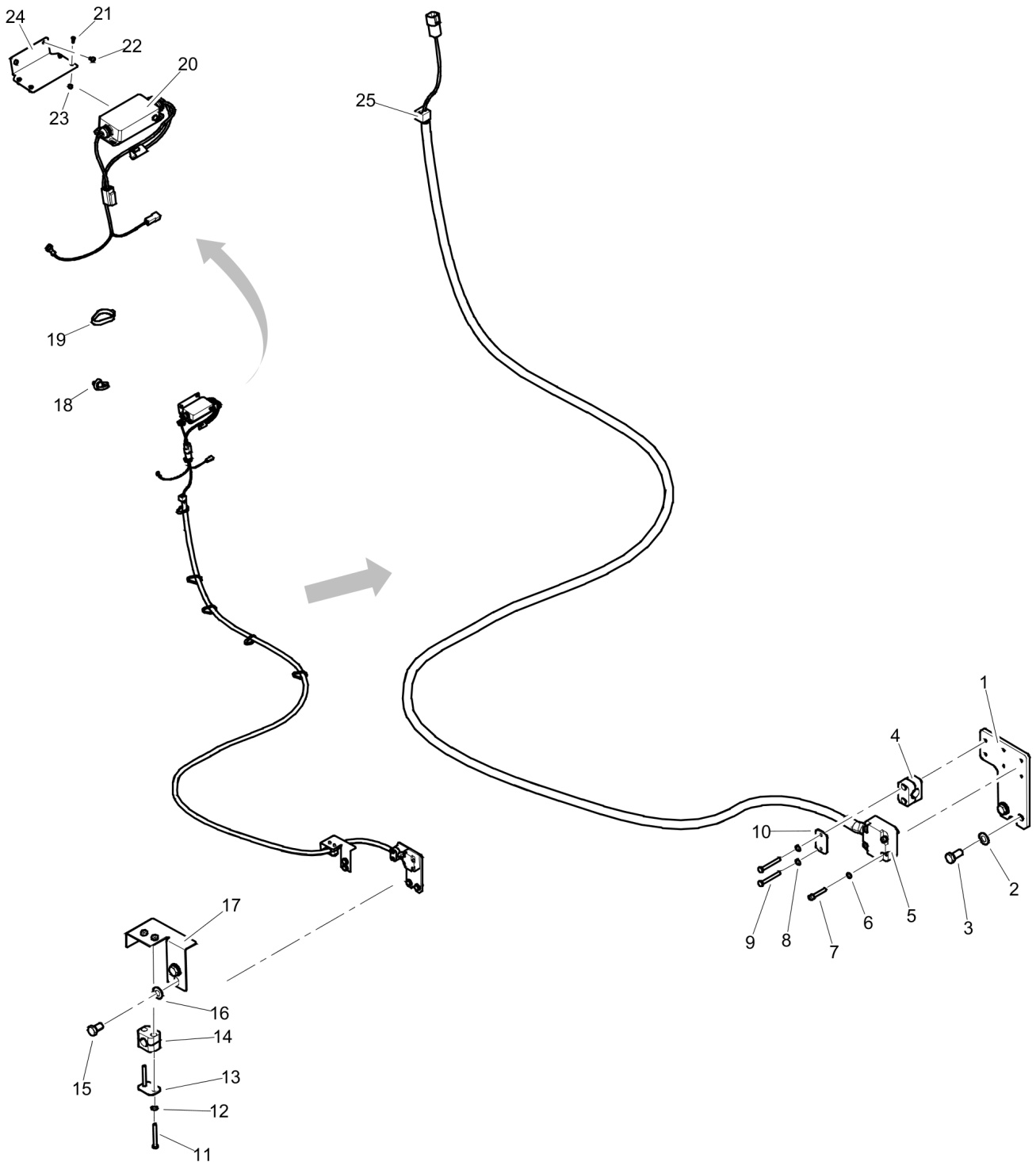
Item	Part No.	Name	Qty	L	SN INFO
1		FleetLink Advanced			
2	4700901225	Fuse 5A Tan	1		
3	4812124256	Wiring harness	1		
4	4700792609	Cable ties	2		
5	4812013040	GPS module, V2	1		
6	4700792210	Screw torx	2		
7	4812124199	Bracket	1		
8		FleetLink			
9	4700901225	Fuse 5A Tan	1		
10	4812124256	Wiring harness	1		
11	4700792609	Cable ties	2		
12	4812013038	GPS module	1		
13	4700792210	Screw torx	2		
14	4812124199	Bracket	1		

**Optional equipment** 4812013038 GPS module



Item	Part No.	Name	Qty	L	SN INFO
1	4812013160	Socket shell	1		
2	4812013161	Male contact	3		

**Optional equipment** Compaction meter (DCM)

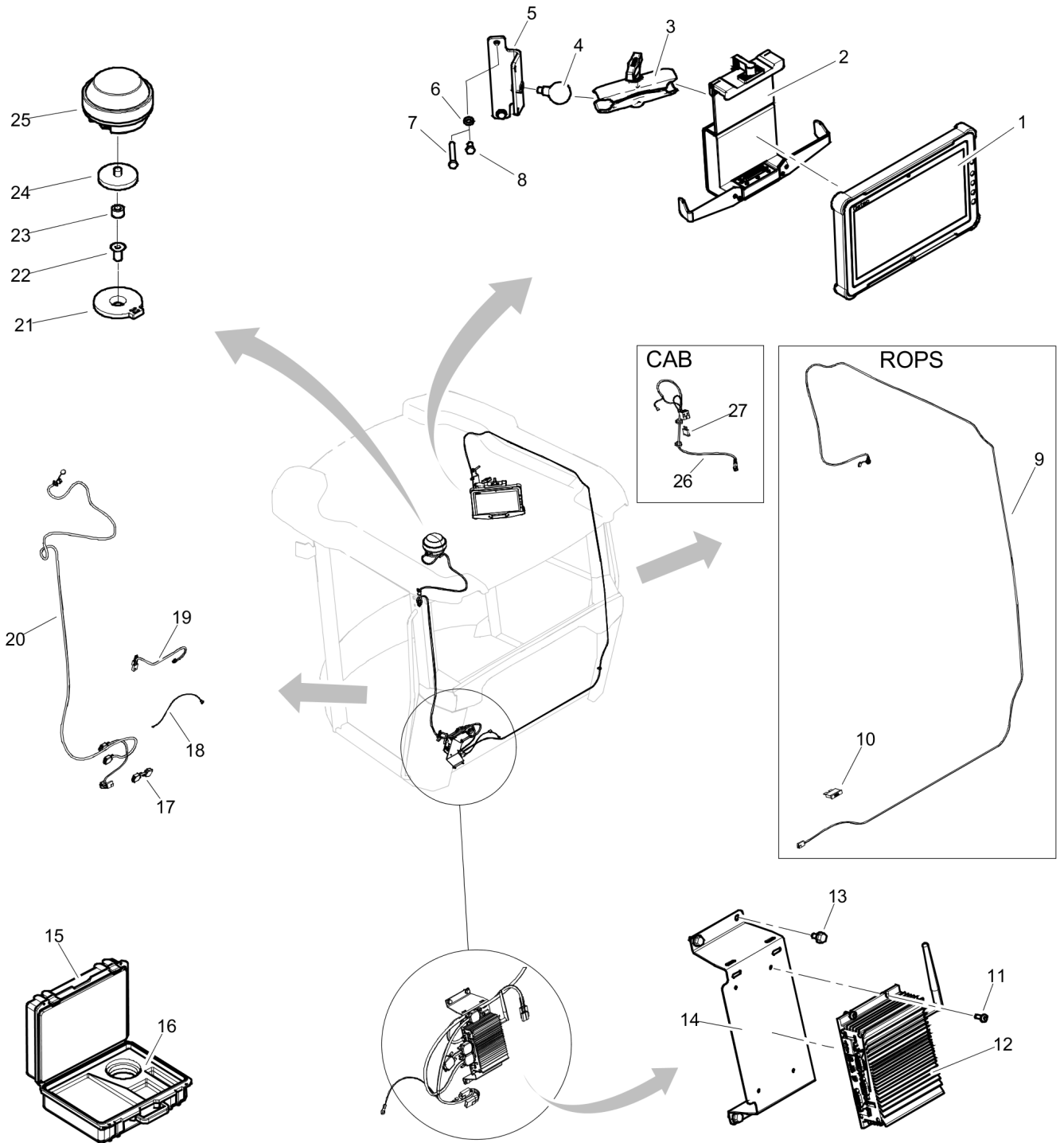


Refer to Parts Online for the most up to date information. The printed information might be outdated.

Wed Nov 21 11:46:09 UTC 2018

Item	Part No.	Name	Qty	L	SN INFO
1	4812123038	Plate	1		
2	4700904231	Washer, 13x24x2 mm 300 HV	2		
3	4700500051	Hex. screw	2		
4	4700923876	Clamp	1		
5	4812122777	DCM unit	1		
6	4700606003	Washer	4		
7	4812123171	Hexagon socket head cap screw	4		
8	4700904228	Washer 6,4x12x1,5	2		
9	4700500079	Screw M6-1x50 8,8	2		
10	4700923859	Cover plate	1		
11	4700500079	Screw M6-1x50 8,8	2		
12	4700904228	Washer 6,4x12x1,5	2		
13	4700791454	Cover plate	1		
14	4700791453	Pipe clamp block	1		
15	4700500035	Hexagon screw, M12x20H	2		
16	4700904231	Washer, 13x24x2 mm 300 HV	2		
17	4812116181	Bracket	1		
18	4700792441	Cable tie with holder	1		
19	4700313102	Cable ties	1		
20	4812122778	Power supply	1		
21	4700928200	Hexagon socket countersunk screw	4		
22	4700792210	Screw torx	2		
23	4700923976	Lock nut	4		
24	4812122780	Bracket	1		
25	4812116367	Cable entry frame and inserts	1		

Optional equipment Dyn@lyzer



Refer to Parts Online for the most up to date information. The printed information might be outdated.

Wed Nov 21 11:46:10 UTC 2018



Item	Part No.	Name	Qty	L	SN INFO
1	4812123488	Computer	1		
2	4812123489	Holder	1		
3	4812123728	Arm	1		
4	4812123727	Ball joint	1		
5	4812123747	Bracket	1		
6	4700904229	Washer, 8.4x 6x1.5 mm 300HV	2		
7	4700500026	Screw M8-1,25x60 mm 8.8	2		
8	4700500019	Hexagon screw	2		
9	4812123524	Wiring harness	1		
10	4700901226	Fuse 7.5A Brown	1		
11	4700792154	Tapping screw ST	4		
12	4812123490	Gateway	1		
13	4700541702	Screw M6x12	4		
14	4812123471	Bracket	1		
15	4812124090	Carrying case	1		
16	4812124091	Rubber insert	1		
17	4812123523	Wiring harness	1		
18	4812123681	Ground cable	1		
19	4812123533	Wiring harness	1		
20	4812123525	Wiring harness	1		
21	4812121818	Bracket	1		
22	4700513016	Hexagon socket countersunk screw M16	1		
23	4812123534	Thread insert	1		
24	4812113160	Bracket	1		
25	4812123491	Antenna	1		
26	4812123699	Wiring harness	1		
27	4700901226	Fuse 7.5A Brown	1		

Appendix B:Parts Index	4700313041	276, 278, 290, 294, 300, 350, 356, 404, 440, 444, 454
0248998073	4700313068	276
0291112842	4700313094	122
0570702503	4700313102	124, 124, 490
0686901038	4700330170	118
4700116041	4700330171	118
4700150008	4700330331	88, 120, 180, 432
4700151021	4700330383	88
4700151023	4700334197	88
4700151044	4700340863	78
4700160080	4700343318	76, 82
4700160105	4700343744	80, 82, 84
4700160132	4700343748	178
4700160157	4700346217	478
4700160191	4700349682	66
4700160296	4700349715	78
4700160372	4700350009	388, 396
4700162004	4700355608	40, 248
4700162008	4700355797	284
4700162017	4700355889	48
4700162027	4700357138	10, 178
4700167023	4700357488	484
4700202028	4700358254	330
4700202057	4700358881	18, 18, 48, 420
4700205027	4700359043	392
4700205112	4700359125	392
4700230384	4700359819	392
4700230515	4700359916	388
4700230516	4700359919	388
4700232039	4700359920	388
4700232041	4700359989	94, 122
4700232118	4700359998	318, 334
4700232160	4700370234	400
4700233304	4700372174	348
4700246069	4700372587	88
4700272372	4700372658	48
4700272373	4700372672	388
4700281327	4700372696	400
4700287294	4700372697	400
4700287295	4700372964	388
4700287643	4700372965	388
4700313001	4700374059	178
4700313002	4700374606	334
4700313004	4700374799	58
4700313006	4700377507	354
4700313008	4700377508	354
4700313009	4700377518	400
4700313010	4700377742	22, 424
4700313022	4700377743	22
4700313023	4700377744	40
4700313033	4700377913	466

4700378712	106	4700393525	318, 334
4700379480	88	4700393959	422
4700379718	388	4700394275	290
4700379728	392	4700394276	290
4700380018	80, 82, 84	4700394318	230
4700380436	110	4700394395	428
4700381413	124	4700394536	48
4700381619	484	4700394542	292
4700381943	384	4700394645	126
4700382383	62	4700394679	108
4700382751	422	4700394686	6, 8, 10, 108
4700383024	102	4700394687	10, 108
4700383425	446	4700395022	108
4700383705	330	4700395108	88
4700384114	66	4700395192	458
4700384121	66	4700395352	276
4700384176	442	4700395447	388
4700384584	330	4700395785	114, 404
4700384878	442	4700395816	88, 362
4700385080	422	4700395841	354
4700385599	404	4700395843	354
4700387545	420	4700395888	292
4700388449	422	4700396036	458
4700388737	404	4700396042	314
4700389215	316	4700396043	314
4700389784	176	4700396044	314
4700389857	40	4700396047	314, 314
4700390365	42	4700396048	314
4700390561	400	4700396119	298
4700390860	258	4700396536	298
4700390896	12, 80, 82, 84	4700396635	248
4700390926	178	4700396662	404
4700390963	400	4700396670	420
4700391031	24	4700396839	42
4700391163	388, 390	4700397604	418
4700391299	102, 102, 102, 102	4700475064	46
4700391303	88	4700476019	434
4700391396	404	4700500003	314
4700391420	404	4700500004	324, 362, 376
4700391962	88	4700500006	288
4700392321	304	4700500009	114
4700392450	278	4700500010	286
4700392451	278	4700500012	272, 348, 352, 372, 434
4700392717	408	4700500013	22, 178, 258, 262, 264, 266, 316, 344
4700392719	408	4700500015	258
4700392810	106	4700500019	178, 250, 254, 256, 290, 492
4700392839	388	4700500020	472
4700392840	388	4700500021	88, 106, 110, 112, 122, 122, 236, 240, 276, 300, 388, 402, 430, 438, 458
4700392930	404	4700500022	60, 88, 144, 146, 178, 312, 384, 394, 438
4700392965	402	4700500024	96, 430, 460
4700393094	408		

4700500026	290, 492	4700508053	88, 144
4700500027	240, 270	4700508063	178
4700500028	22, 22, 24, 28, 44, 144, 182, 396, 398	4700508080	186, 200
4700500029	88, 94, 110, 246, 252, 396	4700508092	398
4700500030	58, 88, 98, 122, 456, 462	4700508099	440, 444
4700500031	40, 56, 64, 118, 120	4700513012	40, 114
4700500035	308, 490	4700513016	492
4700500036	480	4700513017	42
4700500037	102, 122, 200	4700513027	310
4700500040	250, 254, 292, 440, 444	4700516040	388
4700500042	176	4700532032	90
4700500043	156, 468, 484	4700541702	290, 492
4700500046	216, 222, 472	4700570002	256
4700500047	112	4700570003	262, 440, 444
4700500048	104, 214, 302, 454, 464	4700570004	404
4700500051	66, 490	4700570005	40, 60, 122, 246, 252, 256, 300, 340, 430, 448, 466
4700500053	66, 88, 102, 106, 178, 236, 400, 400, 456, 472	4700570006	270, 458
4700500056	94, 318, 334	4700570007	60, 480
4700500060	404	4700570008	290
4700500075	52, 250, 254, 402	4700570101	246, 252
4700500078	176	4700570103	458
4700500079	308, 314, 348, 490, 490	4700573008	392
4700500082	66, 80, 82, 84, 94	4700586001	286, 404, 418, 420
4700500090	216	4700586002	54, 250, 254, 314, 316, 396, 402, 404, 408
4700500091	156	4700586003	60, 248, 250, 254, 300, 384, 388, 408, 438
4700500093	186	4700586018	36, 56, 306
4700500102	32, 34	4700586021	94
4700500107	94	4700588176	422
4700500115	408	4700601001	286, 288, 324, 362, 376, 440, 444
4700500119	26	4700601003	322, 322, 344, 346
4700500133	76	4700603001	110
4700500161	22, 36, 156	4700606003	308, 490
4700500163	80, 82, 84	4700606004	408
4700500189	304	4700615050	60
4700500194	146	4700615061	56
4700500195	478	4700624005	422
4700500284	22	4700624018	48
4700500502	54	4700629064	22
4700500503	124	4700629076	484
4700500505	104, 104, 108, 178, 404	4700630003	54
4700500509	56, 466	4700630008	392
4700502053	78	4700635061	484
4700508017	404	4700747282	118
4700508019	250, 254, 384	4700791082	458
4700508022	444	4700791120	180
4700508023	256	4700791156	80, 82, 84
4700508025	110, 400	4700791171	372
4700508027	396	4700791172	326
4700508028	42	4700791182	340, 340, 344
4700508029	88, 388	4700791185	358
4700508048	216	4700791212	214

4700791230	216	4700792309	250, 254, 258, 358
4700791231	184, 240	4700792310	250, 254
4700791273	422	4700792322	100
4700791274	422	4700792335	186
4700791396	22	4700792336	144, 184, 186, 200
4700791405	178	4700792338	178
4700791409	240	4700792339	184, 214, 240
4700791421	418	4700792354	284
4700791450	246, 252	4700792359	472
4700791453	308, 490	4700792392	294
4700791454	308, 490	4700792394	24, 28
4700791460	102	4700792397	300
4700791475	348	4700792398	280
4700791518	246, 252	4700792410	304
4700791524	388, 402	4700792414	404
4700791535	144	4700792422	276
4700791572	410, 412, 414, 416	4700792441	118, 246, 250, 252, 254, 256, 258, 276, 280, 308, 314, 350, 356, 414, 416, 454, 472, 490
4700791588	404	4700792442	104
4700791642	108, 424	4700792465	162, 170, 174
4700791666	40, 348	4700792499	88
4700791700	200	4700792500	220, 472
4700791723	404	4700792505	358
4700791733	404	4700792515	24
4700791739	404	4700792516	28
4700791743	240	4700792519	276
4700791799	220, 472	4700792520	276
4700791805	454	4700792527	398, 410, 412, 414, 416
4700791807	182, 220	4700792536	330
4700791828	156	4700792537	280
4700791831	186	4700792539	388
4700791838	156	4700792589	330
4700791840	156	4700792601	46
4700791841	472	4700792602	256
4700791843	184, 240	4700792609	278, 452, 486, 486
4700791860	144	4700792611	478, 482
4700791956	40	4700792634	428
4700791963	480	4700792649	200
4700791966	358	4700792660	290
4700791970	382	4700792667	300
4700792035	284	4700792678	392
4700792068	178	4700792686	88, 454, 472
4700792083	24, 222, 472	4700792715	356
4700792103	328	4700792718	440, 444
4700792119	54, 100, 352	4700792761	298
4700792154	492	4700792762	298
4700792186	314	4700792763	298
4700792210	260, 294, 308, 486, 486, 490	4700792772	422
4700792261	126	4700792776	268
4700792264	178	4700792795	298
4700792276	178	4700792797	458
4700792295	124, 178		

4700792809	178	4700903633	334
4700792823	200	4700903640	250
4700801251	478	4700903641	18, 250
4700813791	108	4700903662	408
4700900430	146	4700903670	348
4700900775	80, 82, 84	4700903703	104, 104
4700900776	12, 80, 80, 82, 82, 84, 84	4700903714	124
4700900994	222, 472	4700903741	20, 256, 258
4700901145	318, 334	4700903795	76
4700901157	186, 200	4700903906	162, 170, 174
4700901224	20	4700903917	388
4700901225	20, 256, 258, 486, 486	4700903918	388
4700901226	20, 256, 276, 492, 492	4700903923	52
4700901227	20, 256, 258, 260, 276, 290, 358	4700903985	126, 422
4700901228	20, 358	4700904004	144, 186, 200
4700901229	20	4700904005	162, 170, 174, 216
4700901230	20	4700904037	20, 246, 252, 274
4700901385	150	4700904038	20
4700901386	150	4700904039	20, 246, 252
4700901744	208	4700904040	20
4700901832	90	4700904041	20
4700901987	134, 142	4700904042	20
4700902041	48	4700904096	426
4700902062	470	4700904108	60
4700902166	22	4700904165	424, 448
4700902282	318	4700904206	114, 372
4700902284	288	4700904213	478
4700902285	42, 52	4700904214	28, 388
4700902286	90, 104, 144, 182, 220, 304, 400, 400, 454, 472	4700904228	22, 40, 76, 178, 250, 254, 258, 262, 264, 266, 272, 292, 308, 314, 316, 340, 344, 352, 356, 372, 396, 402, 404, 408, 434, 440, 444, 490, 490
4700902288	478	4700904229	88, 96, 106, 108, 112, 144, 146, 178, 236, 246, 248, 250, 252, 254, 256, 276, 290, 300, 304, 312, 348, 348, 384, 388, 392, 394, 396, 400, 402, 430, 438, 448, 456, 460, 466, 472, 492
4700902379	328	4700904230	22, 36, 44, 56, 58, 64, 88, 104, 110, 120, 144, 156, 176, 182, 214, 240, 246, 252, 270, 302, 306, 398, 454, 456, 458, 464, 468
4700902509	428, 428	4700904231	24, 28, 60, 66, 66, 76, 102, 102, 122, 146, 216, 308, 480, 480, 490, 490
4700902520	388	4700904232	66, 80, 82, 84, 482
4700902620	204	4700904233	22, 26, 126, 318, 334
4700902641	208	4700904260	66, 478, 484
4700902783	194, 208	4700904280	126
4700902804	404	4700904281	114, 256, 262, 286, 314, 404, 418, 420
4700902866	18, 18, 52, 54	4700904292	88
4700902919	28	4700904294	20
4700903290	22, 318, 334	4700904299	444
4700903386	312	4700904311	264
4700903422	422	4700904312	258
4700903423	102, 424	4700904346	178, 316
4700903424	424	4700904388	424
4700903425	330, 422	4700904389	424
4700903431	238		
4700903456	182, 220, 472		
4700903459	422		
4700903586	40, 108		
4700903590	360, 424		
4700903615	48		

4700904390	424	4700923384	162, 170, 174
4700904391	424	4700923405	200
4700904496	200	4700923859	308, 490
4700904504	262, 358	4700923876	308, 490
4700904556	66, 102, 106, 110, 122, 122, 180, 250, 254, 400, 438, 438, 458, 472	4700923976	52, 310, 312, 444, 490
4700904557	40, 58, 94, 118, 144, 156, 246, 252, 326, 396	4700925208	22, 22, 26
4700904558	24, 32, 34, 94, 186, 484	4700925519	102
4700904563	344	4700925802	118
4700904567	24, 28	4700926214	470
4700904570	268	4700926215	40
4700904575	108	4700926537	256, 440, 444
4700904584	88	4700926781	134, 142
4700904619	420	4700927233	46
4700904623	220	4700927278	194, 194, 208, 208
4700904637	88, 186, 200, 216	4700927410	318, 334
4700904638	162, 170, 174, 178	4700927411	22
4700904640	60, 102, 112, 122, 236, 240, 304, 388, 392, 438	4700928200	490
4700904650	406	4700928347	410, 412, 414, 416
4700904653	288, 420	4700928381	352, 352
4700904654	466	4700928441	98, 462
4700904698	52, 256, 258, 264, 310, 312, 404, 444	4700928467	258
4700904703	60, 162, 170, 174, 200, 410, 412, 414, 416	4700928784	282
4700904734	466	4700929185	122
4700904735	282	4700929226	144, 186, 200
4700904774	146, 216	4700929447	14, 76, 82
4700904835	422	4700929455	284
4700904870	422	4700929587	328, 348
4700904872	182, 220, 454, 472	4700929648	128, 136
4700904895	422	4700936020	134, 142
4700904911	266	4700936283	400
4700904985	118, 118, 124, 124, 178	4700936313	188, 202
4700904986	118	4700936898	214
4700904988	120	4700937182	190
4700908229	422	4700937185	190
4700908370	192	4700937186	190
4700908399	108	4700937189	190
4700908505	322, 360	4700937240	208
4700908506	360	4700937258	148
4700908507	360	4700937264	154
4700908561	344	4700937265	148
4700908564	344	4700937620	398
4700909129	328	4700937621	398
4700909535	400	4700937892	398
4700909536	400	4700938003	192
4700909609	132, 132, 140, 140	4700938622	354
4700910162	240	4700938624	444
4700921050	104	4700938984	132, 140
4700921080	278	4700939009	134, 142
4700921723	42, 380	4700939013	134, 142
4700923008	104, 176, 178	4700939014	134, 142
		4700939068	6, 8, 10, 92

4700939070	92	4812002474	198
4700939350	132, 134, 140, 142	4812013038	486
4700939693	348	4812013040	486
4700939826	404	4812013160	488
4700940451	18, 404	4812013161	488
4700940674	202	4812030096	78
4700940675	188	4812036305	168
4700945622	400	4812043666	164
4700945632	390	4812104465	72
4700945633	390	4812104466	72
4700945634	390	4812110366	26
4700945635	390	4812110367	384
4700945636	390	4812110560	256
4700945637	390	4812110642	66
4700945657	12	4812110644	66
4700945660	400	4812110884	276
4700945661	400	4812110885	396
4700947679	392	4812110886	404
4700947680	322, 346	4812110891	394
4700947690	102	4812110901	404
4700947697	482	4812110930	102
4700947698	66	4812111092	36
4700950301	6, 8, 10, 92	4812111103	32, 36
4700950302	6, 8, 10, 92	4812111122	84
4700950315	92	4812111216	402
4700950348	440	4812111241	274
4700950417	224, 476	4812111248	280
4700950636	92	4812111264	102
4700950640	92	4812111294	396
4700989151	180	4812111311	448
4700991658	422	4812111780	404
4811000074	146, 230, 232	4812111838	472
4811000077	300	4812111937	484
4811000086	160, 172	4812111940	470
4811000151	88	4812111946	484
4811000163	276	4812111981	250, 254
4811000176	246, 252	4812112000	250, 254
4811000178	246	4812112017	260
4811000202	178	4812112059	42
4811000260	472	4812112065	256
4811000265	382	4812112066	256
4811000268	382	4812112067	256
4811000269	382	4812112068	472
4811000316	314	4812112070	256
4811000344	424	4812112071	314
4811000345	422	4812112072	308
4811000395	296	4812112097	100
4811000429	276	4812112162	22
4811000443	424	4812112169	184, 186, 188
4811000458	352, 440, 444	4812112172	184, 200
4811000481	122	4812112172A	202



4812112172B	202	4812112747	80, 82, 84
4812112172C	202	4812112761	116
4812112172D	202	4812112774	304
4812112172E	202	4812112776	116
4812112182	216, 218	4812112777	116
4812112198	66, 70	4812112784	80, 82, 84
4812112203	174	4812112791	308
4812112204	162	4812112792	310
4812112215	146	4812112793	276
4812112229	316	4812112823	40
4812112238	240, 244	4812112834	52
4812112260	214	4812112843	54
4812112262	4, 10, 214	4812112845	60
4812112268	320, 336, 374	4812112846	60
4812112282_1476	220	4812112884	54
4812112290	232	4812112916	276
4812112301	334	4812112924	286
4812112302	334	4812112952	64
4812112304	144	4812113032	438
4812112306	144	4812113058	296
4812112325	300	4812113075	66
4812112355	88	4812113083	450
4812112362	472	4812113117	276
4812112374	276	4812113118	276
4812112393	126	4812113123	310
4812112402	58	4812113140	276
4812112403	54	4812113141	276
4812112404	52	4812113148	66
4812112405	62	4812113158	296
4812112413	76, 82	4812113160	296, 492
4812112423	432	4812113167	290
4812112455	80, 82	4812113213	66
4812112460	304	4812113223	66
4812112465	66	4812113238	294
4812112479	122	4812113245	450
4812112508	222	4812113258	16, 66
4812112530	472	4812113283	66
4812112555	176	4812113315	42
4812112556	178	4812113476	76
4812112639	116	4812113478	396
4812112640	310	4812113491	454
4812112641	310	4812113492	454
4812112642	310	4812113498	472
4812112647	116	4812113513	22
4812112648	178	4812113569	144
4812112655	114	4812113573	106
4812112656	114	4812113607	22
4812112686	262	4812113622	440
4812112688B	256	4812113623	440, 444
4812112691	262	4812113624	444
4812112736	64	4812113629	102

4812113633	216	4812114567	324, 352, 362, 364, 372, 376, 378
4812113640	116	4812114568	320, 374
4812113641	116	4812114569	326
4812113678	236	4812114570	364
4812113679	236	4812114571	364
4812113687	156	4812114572	364, 378
4812113708	102, 102	4812114573	362
4812113786	408	4812114574	362
4812113832	78	4812114575	362
4812113853	66	4812114576	362
4812113875	404	4812114577	370
4812113878	102	4812114578	370
4812113879	102	4812114579	370
4812113885	22	4812114580	370
4812113903	76	4812114581	370
4812113934	480	4812114582	372
4812113935	480	4812114583	372
4812113936	480	4812114584	372
4812113941	182	4812114585	372
4812113963	144	4812114586	338
4812113996	470	4812114587	338
4812114108	156	4812114588	338
4812114146	296	4812114593	340
4812114156	296	4812114598	344
4812114172	396	4812114599	344
4812114189	216	4812114600	344
4812114194	382	4812114601	344
4812114205	178	4812114602	344
4812114210	124	4812114603	344
4812114212	110	4812114604	344
4812114213	404	4812114605	344
4812114214	404	4812114606	344
4812114223	78	4812114607	344
4812114245	450	4812114608	344
4812114246	450	4812114609	344
4812114257	448	4812114610	344
4812114311	440, 444	4812114611	344, 344, 344, 344, 344
4812114318	60	4812114612	344
4812114340	66	4812114613	344
4812114344	16, 66	4812114619	258
4812114345	66	4812114655	258
4812114346	66	4812114656	276
4812114396	94	4812114679	144
4812114426	256	4812114680	144
4812114434	240	4812114720	306
4812114465	102	4812114742	464
4812114492	176	4812114756	48
4812114563	324, 376	4812114803	404
4812114564	324, 362, 376	4812114804	430
4812114565	324, 362, 376	4812114813	114
4812114566	324, 362, 376	4812114814	52

4812114828	54	4812115188	368
4812114829	54	4812115189	368
4812114830	54	4812115190	368
4812114831	54	4812115191	368
4812114833	36	4812115192	380
4812114873	276	4812115193	322
4812114913	116	4812115194	322
4812114931	452	4812115195	322
4812114932	452	4812115196	322
4812114935	114	4812115197	366
4812114949	114	4812115198	366
4812114984	314	4812115199	368
4812114990	26	4812115200	340
4812114991	28	4812115201	340
4812114993	28	4812115202	338
4812114995	28	4812115203	340
4812114997	28	4812115204	340
4812114999	28	4812115205	340
4812115000	28	4812115206	340
4812115010	60	4812115207	340
4812115013	440, 444	4812115208	340
4812115020	304	4812115209	340
4812115051	156	4812115210	340
4812115063	230, 232	4812115211	340
4812115064	230, 232	4812115212	340
4812115065	230, 232	4812115213	340
4812115085	472	4812115214	340
4812115086	176	4812115215	340
4812115093	290	4812115216	340
4812115162	344	4812115217	340
4812115164	322, 346, 348	4812115218	340
4812115165	346	4812115219	342
4812115166	322	4812115220	342
4812115167	350	4812115223	342
4812115168	350	4812115224	368
4812115169	350	4812115225	342
4812115170	322, 346	4812115226	342
4812115171	322, 346	4812115228	348
4812115172	350	4812115229	348
4812115175	352	4812115230	348
4812115177	352	4812115294	40
4812115178	352	4812115303	160
4812115179	352	4812115304	160, 172
4812115180	352	4812115339	234
4812115181	356	4812115340	234
4812115182	356	4812115341	234
4812115183	356	4812115352	176
4812115184	358	4812115353	176
4812115185	358	4812115357	176
4812115186	328, 348	4812115358	176
4812115187	358	4812115366	184

4812115387	318, 334	4812116236	170
4812115392	24	4812116237	126, 128
4812115398	24	4812116238	126, 136
4812115422	28	4812116285	116
4812115423	28	4812116286	116
4812115424	28	4812116290	114
4812115425	28	4812116308	56
4812115427	28	4812116318	56
4812115467	24, 28	4812116319	56
4812115468	28	4812116320	56
4812115541	220	4812116321	56
4812115542	220	4812116322	56
4812115663	102	4812116323	56
4812115668	102	4812116333	24
4812115669	102	4812116334	24
4812115737	94	4812116340	24
4812115767	270	4812116341	122
4812115778	32, 36	4812116342	122
4812115803	144	4812116346	312
4812115805	144	4812116354	312
4812115806	144	4812116357	398
4812115817	144	4812116362	252
4812115818	144	4812116367	312, 490
4812115819	144	4812116587	312
4812115862	182	4812116588	312
4812115902	110	4812116589	216
4812115921	308	4812116607	126
4812115947	24	4812116622	304
4812115949	24	4812116645	178
4812115950	24	4812116646	94
4812115993	246	4812116651	46
4812115996	246, 252	4812116652	46
4812115997	246, 252	4812116653	46
4812115998	246, 252	4812116680	28
4812116023	76	4812116691	112
4812116029	66	4812116702	24
4812116043	66	4812116781	200
4812116100	114	4812116792	54
4812116111	122	4812116793	54
4812116112	122	4812116799	300
4812116181	308, 490	4812116812	52
4812116183	66	4812116815	52
4812116192	348	4812116821	24, 26, 40
4812116193	348	4812116834	114
4812116194	348	4812116836	114
4812116195	348	4812116857	144
4812116197	348	4812116861	250, 254
4812116198	348	4812116862	52
4812116199	340	4812116867	318
4812116201	348	4812116877	254
4812116231	236, 238	4812116884	318

4812116986	382	4812117941	100
4812117048	40	4812117945	104
4812117095	98	4812117946	104
4812117096	98	4812117964	384
4812117097	96, 460	4812118058	106
4812117098	462	4812118059	106
4812117099	462	4812118060	110
4812117108	268	4812118127	100
4812117149	272	4812118203	98, 462
4812117174	88	4812118273	100
4812117246	106	4812118275	114
4812117248	104, 124, 454	4812118308	160, 172
4812117348	126	4812118312	402
4812117349	440, 444, 452	4812118385	252
4812117367	458	4812118432	94
4812117368	458	4812118433	106
4812117379	124	4812118444	94
4812117397	118	4812118467	246, 252
4812117411	478	4812118488	88
4812117417	482	4812118494	102
4812117420	478	4812118499	122
4812117434	176	4812118503	118
4812117438	126	4812118554	94
4812117473	54	4812118670	114
4812117478	176	4812118684	176
4812117479	176	4812118697	404
4812117480	176	4812118754	404
4812117483	88	4812118760	316
4812117490	404	4812118761	316
4812117508	24	4812118814	80, 82, 84
4812117521	252	4812118816	412, 416
4812117530	24	4812118823	88
4812117574	468	4812118842	464
4812117587	484	4812118893	466
4812117598	468	4812118899	316
4812117602	100	4812118960	178
4812117643	470	4812118961	178
4812117676	176	4812118976	52
4812117740	484	4812118989	54
4812117781	184	4812118994	52, 54
4812117782	184	4812119093	454
4812117787	184	4812119107	316
4812117839	52, 52, 52, 52	4812119127	102
4812117867	28	4812119227	404
4812117898	122	4812119267	100
4812117899	122	4812119295	398
4812117900	122	4812119306	382
4812117915	144	4812119317	406
4812117922	410, 414	4812119327	382
4812117924	410, 412	4812119489	454
4812117925	414, 416	4812119490	454

4812119788	392	4812121397	24
4812119807	24, 28	4812121398	24
4812119809	24, 28	4812121665	24, 28
4812120053	88	4812121666	468
4812120054	88	4812121706	472
4812120070	332	4812121815	100
4812120090	90	4812121818	492
4812120100	422	4812121848	302
4812120101	422	4812121866	100
4812120132	184	4812121886	484
4812120135	184	4812121914	42
4812120153	40	4812121925	100
4812120160	40	4812121947	222, 224
4812120205	120	4812121948	472, 476
4812120255	346	4812121990	472
4812120257	356	4812122611	302
4812120269	352, 352	4812122654	144
4812120334	288	4812122777	490
4812120347	256	4812122778	490
4812120363	40	4812122780	490
4812120376	110	4812123035	248
4812120414	24, 28	4812123038	490
4812120437	422	4812123171	490
4812120468	304	4812123471	492
4812120469	304	4812123488	492
4812120545	318	4812123489	492
4812120593	126	4812123490	492
4812120615	24	4812123491	492
4812120618	24	4812123523	492
4812120661	24, 26, 40	4812123524	492
4812120663	124	4812123525	492
4812120681	28	4812123533	492
4812120696	24	4812123534	492
4812120697	22	4812123681	492
4812120702	24	4812123683	26
4812120707	28	4812123699	492
4812120790	288	4812123727	492
4812120830	222, 226	4812123728	492
4812120840	240, 242	4812123747	492
4812120858	122	4812123800	438
4812121111	24	4812124006	28
4812121118	308	4812124012	28
4812121128	92	4812124090	492
4812121129	92	4812124091	492
4812121209	12, 80, 82, 84	4812124199	486, 486
4812121264	308	4812124238	264
4812121282	24, 28	4812124239	264
4812121286	60	4812124256	486, 486
4812121294	22	4812125407	384
4812121331	402	4812126236	100
4812121396	24	4812126248	404

4812126260	420	4812157566	476
4812126261	420	4812157567	476
4812126463	464	4812157568	476
4812126487	464	4812157569	476
4812126568	100	4812157572	476
4812126698	400	4812157654	242, 244
4812126777	300	4812157655	244
4812126778	300	4812157681	242, 244, 474
4812127124	184	4812157682	242, 244
4812127125	184	4812157683	244
4812127130	184	4812157684	242, 244
4812127131	184	4812157685	242, 244
4812127132	172	4812157686	242, 244
4812127189	144	4812157687	242, 244
4812127190	144	4812157688	244
4812127820	426	4812157752	474
4812127909	426	4812157753	474
4812127932	426	4812157754	474
4812128222	426	4812157755	474
4812128927	16, 66	4812157756	474
4812141829	468	4812157757	474
4812142385	486	4812157758	226, 228
4812142386	486	4812157759	226, 228
4812155851	92	4812157760	226, 228
4812156151	198	4812157761	226, 228
4812156152	212	4812157770	242, 244
4812156170	16	4812157771	242, 244, 474
4812156599	198, 212	4812157772	242, 244
4812156756	212	4812157773	242, 244
4812156768	92	4812157775	474
4812156796	134, 142	4812157789	202
4812156954	132, 140	4812157790	204
4812156993	4	4812157791	204
4812157097	194	4812157792	204
4812157151	192, 194, 206	4812157793	204
4812157155	198	4812157796	194
4812157156	198	4812157797	208
4812157169	168	4812157798	208
4812157170	152, 168, 168	4812157799	194, 208
4812157184	152	4812157852	210
4812157185	152	4812157859	192
4812157198	206	4812157860	192
4812157253	212	4812157861	194
4812157275	14	4812157865	210
4812157358	130, 138	4812157954	92
4812157359	130, 138	4812158086	66
4812157360	130, 138	4812158091	66
4812157361	138	4812158096	66
4812157460	152, 168	4812158163	338
4812157482	210	4812158164	338
4812157565	476	4812158165	338

4812158198	188, 202	4812159767	352
4812158251	196	4812159768	352
4812158289	446	4812159775	342
4812158290	446	4812159852	92
4812158291	446	4812159853	92
4812158292	446	4812160053	464
4812158293	344	4812160261	92
4812158367	398	4812160265	474
4812158387	72	4812160388	342
4812158388	72	4812160598	442
4812158389	72	4812160654	242, 244
4812158390	70	4812160664	214
4812158391	70	4812160666	344
4812158392	70	4812160767	446
4812158393	70	4812160771	352
4812158394	74	4812160772	352
4812158395	218	4812160877	342, 342, 342, 342
4812158481	440	4812161098	340
4812158482	440	4812161099	340, 370
4812158483	158	4812161153	476
4812158484	158	4812161155	342, 342
4812158485	348	4812161156	342, 342
4812158569	128, 136	4812161158	344
4812158570	134, 142	4812161165	322, 348
4812158571	134, 142	4812161251	342
4812158572	140	4812161276	384
4812158573	130, 132	4812161298	444
4812158581	16	4812161352	340, 348, 362, 362, 364
4812158657	152	4812161353	340
4812158752	164	4812161370	356
4812158753	164	4812161371	366
4812158754	166	4812161396	18
4812158755	166	4812161855	6
4812158756	168	4812161883	4
4812158757	168	4812161887	4
4812158766	148	4812162556	474
4812158770	194, 208	4812162557	474
4812158771	210	4812162558	474
4812158774	190	4812162571	322, 346
4812158775	190	4812162572	322, 346
4812158776	194	4812162654	352
4812158859	368	D967536871	198
4812158992	352		
4812159183	340		
4812159184	338, 338, 338		
4812159463	6		
4812159464	8		
4812159466	10		
4812159558	18, 340		
4812159599	92		
4812159763	238		





